

## MAXLITE "LAMP READY" UTILITY WRAP SERIES



### FEATURES:

- **Lamps not included**
- Lead wires are 7' for tandem wiring, eliminating back and end knockouts.
- Sockets are wired in series via non-shunted sockets
- Ceiling or wall mounted
- Option "MSO" on/off occupancy sensor available
- Cable kits available for suspended use

### CONSTRUCTION:

- Engineered and UL rated to take up to 22w per set of lamp holders
- Damp & indoor rated use.
- Post fab painted housing and prismatic lens standard.
- Wiring IS 18 AWG solid to allow 120-277v operation where lamp specification allows
- Sockets rated to 660w , 600V, UL Listed

### WARRANTY:

- Indoor 5 year warranty on parts, materials and workmanship

### PRODUCT DESCRIPTION:

The MaxLite "Lamp Ready" Utility Wrap series provides Architects, Specifiers, and Buyers with a UL listed fixture engineered to operate the latest single ended LED T8 lamps on the market. Offering classic prismatic diffuser, with post painted finish, these fixtures come pre-wired for single ended operating LED lamps for contractor ready installation as new or remodel fixtures.

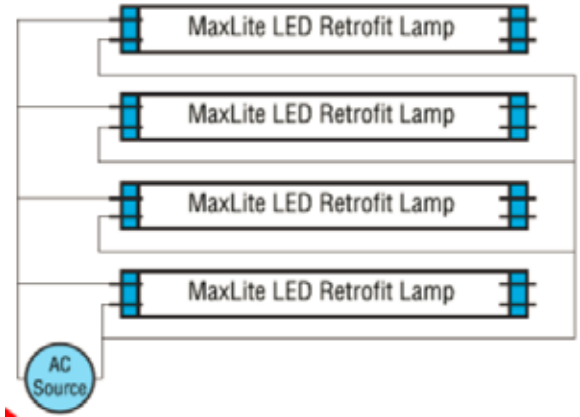
#### ORDERING INFORMATION

MAX WATTS	ORDER CODE	MODEL NUMBER	DESCRIPTION	DIMENSIONS (L" X W" X H")
44W	75304	LSU2XT8USE4806	UTILITY WRAP LAMP READY 2XT8 LED 120-277V SINGLE ENDED	49.0" x 6.75" x 2.5"
66W	75305	LSU3XT8USE4806	UTILITY WRAP LAMP READY 3XT8 LED 120-277V SINGLE ENDED	49.0" x 6.75" x 2.5"

#### NOTES:

1. This product is specifically engineered and listed for use with MaxLite Single Ended conductor LED lamps. Maximum lamp wattages cannot exceed stated levels without voiding warranty. Use with any other branded lamps should be confirmed by a qualified electrician prior to use.

ITEM	SPECIFICATION	DESCRIPTION
		DETAILS
<b>ELECTRICAL</b>	Input Voltage	MAX 22W PER LAMP
	Power Consumption	PER LAMP SPEC
<b>PHYSICAL</b>	Dimensions	49.0" x 6.75" x 2.5"
	Weight	<4# EMPTY
	Housing	22ga Steel, paint after fab
	Lens	PMMA acrylic Prismatic diffuser
	Mounting	Surface mounting Key holes Std. Optional suspension kit avail.
	Operating Temperature	Per lamp spec
<b>CERTIFICATION</b>	Certification	UL for single ended LED lamps*
	Material Usage	RoHS COMPLIANT, NO MERCURY
	Environment	Indoor/ Covered - DAMP
	Warranty	5 yr Indoor

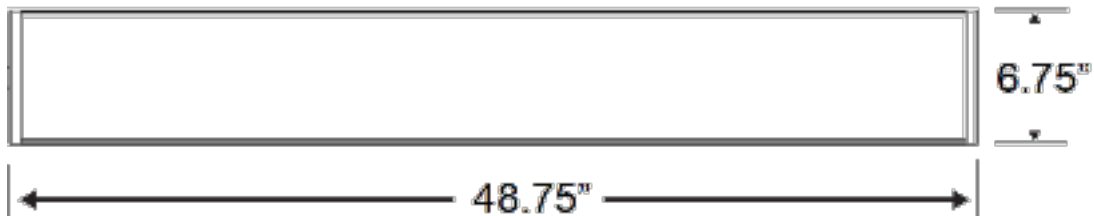


These fixtures are for use only with lamps wired per the above example. Serious risk of electrocution, or fire if non-compatible lamp is installed.

\*See reference diagram adjacent. Must be followed.

ACCESSORIES		
ORDER CODE	MODEL NUMBER	DESCRIPTION
74626	MLCHKLSULB15	UTILITY WRAP LOWBAY KIT 15' 1 PAIR - NONPOWER FEED

Top View



Side View

