

KT-FLEDXXPSXX-R4-OSF-UNV-8CSB-VDIM-X

HIGH POWER LED FLOODLIGHT

DESCRIPTION

High Power LED Floodlight with Optic Swap | Power Select | Color Select | 120–277V or 277–480V Input | Two Mounting Options Included | Bronze or White Finishes Available

APPLICATION

Ground, pole/tenon, or building mount applications (building façades, signs, recreational venues, general area lighting)



Scan for a further look at **Optic Swap 140W Bronze**



10 YEAR LIMITED WARRANTY

PRODUCT FEATURES

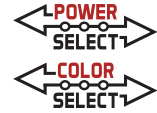
- Keystone Power Select technology (see Performance Specifications for details)
- Keystone Color Select technology (3000/4000/5000K)
- High power floodlight design based on established floodlight principles
- Innovative optic swap capability for quick, tool-free lens change
- Three lenses in the box: NEMA 7H x 6V installed, 6H x 6V & 5H x 5V included
- Heavy-duty interchangeable slipfitter and trunnion mount options included
- Die-cast aluminum housing, with optional glare shield accessory (sold separately)
- 3-pin twist-lock photocell and shorting cap included with NEMA/ANSI C136.10 3-pin twist-lock receptacle
- Keystone 0–10V dimming driver with 6kV surge protection
- Ambient operating temperature: -40°C/-40°F to 50°C/122°F
- UL Certified for wet locations; IP65 rated
- Power factor: > 0.95
- THD: < 20%
- LED chip lifetime: L70 > 100,000 hrs @ 25°C/77°F ambient fixture temperature
- Meets FCC Part 15, Part B, Class A standards for conducted and radiated emissions

PERFORMANCE SPECIFICATIONS

Catalog Number	Selectable Wattage	Selectable CCT	Lumens	Efficacy	Input Voltage	CRI	Dimming	Mounting	Lifetime	Housing Color*	Legacy Equivalent
KT-FLED140PS-R4-OSF-UNV-8CSB-VDIM KT-FLED140PS-R4-OSF-UNV-8CSB-VDIM-W	140W	3000K	18,200	130 lm/W	120–277V	> 80	0–10V	Universal: slipfitter and trunnion mounts included	50,000 hrs	Bronze or white finishes available	400W MH
		4000K	21,000	150 lm/W							
		5000K	19,600	140 lm/W							
	100W	3000K	14,000	140 lm/W							
		4000K	16,000	160 lm/W							
		5000K	15,000	150 lm/W							
KT-FLED140PSHV-R4-OSF-UNV-8CSB-VDIM	140W	3000K	18,200	130 lm/W	277–480V	> 80	0–10V	Universal: slipfitter and trunnion mounts included	50,000 hrs	Bronze finish only	400W MH
		4000K	21,000	150 lm/W							
		5000K	19,600	140 lm/W							
	100W	3000K	14,000	140 lm/W							
		4000K	16,000	160 lm/W							
		5000K	15,000	150 lm/W							

* See Ordering Information and Catalog Number Breakdown for more details.

(Performance Specifications continue on next page)



KT-FLEDXXPSXX-R4-OSF-UNV-8CSB-VDIM-X

HIGH POWER LED FLOODLIGHT

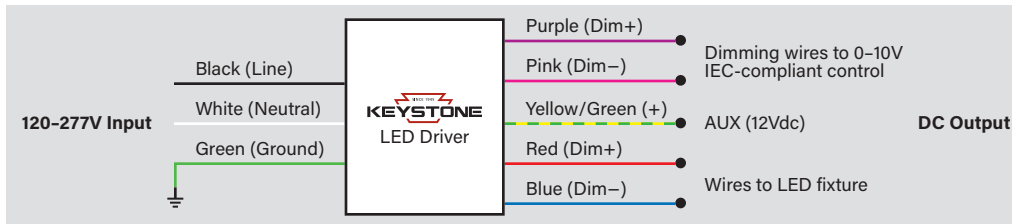
PERFORMANCE SPECIFICATIONS *(continued)*

Catalog Number	Selectable Wattage	Selectable CCT	Lumens	Efficacy	Input Voltage	CRI	Dimming	Mounting	Lifetime	Housing Color *	Legacy Equivalent
KT-FLED290PS-R4-OSF-UNV-8CSB-VDIM KT-FLED290PS-R4-OSF-UNV-8CSB-VDIM-W	290W	3000K	37,700	130 lm/W	120-277V	> 80	0-10V	Universal: slipfitter and trunnion mounts included	50,000 hrs	Bronze or white finishes available	1000W MH
		4000K	43,500	150 lm/W							
		5000K	40,600	140 lm/W							
	210W	3000K	29,400	140 lm/W							
		4000K	33,600	160 lm/W							
		5000K	31,500	150 lm/W							
KT-FLED290PSHV-R4-OSF-UNV-8CSB-VDIM	290W	3000K	37,700	130 lm/W	277-480V	> 80	0-10V	Universal: slipfitter and trunnion mounts included	50,000 hrs	Bronze finish only	1000W MH
		4000K	43,500	150 lm/W							
		5000K	40,600	140 lm/W							
	210W	3000K	29,400	140 lm/W							
		4000K	33,600	160 lm/W							
		5000K	31,500	150 lm/W							

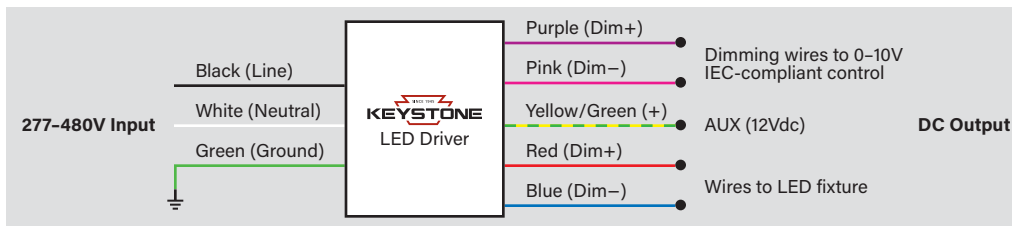
* See Ordering Information and Catalog Number Breakdown for more details.

GENERAL WIRING DIAGRAMS

120-277V



277-480V





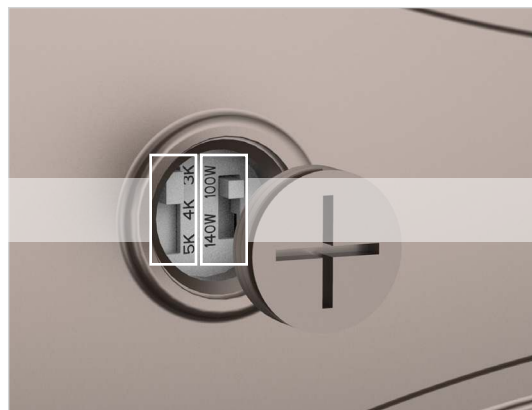
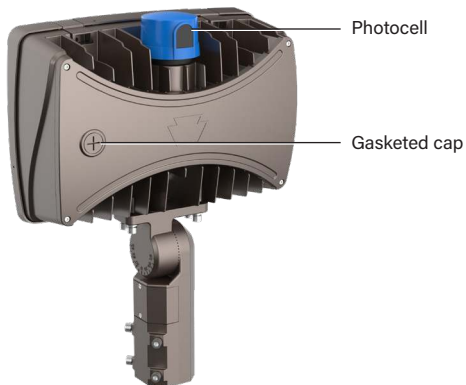
KT-FLEDXXPSXX-R4-OSF-UNV-8CSB-VDIM-X

HIGH POWER LED FLOODLIGHT

POWER SELECT (WATTAGE) AND COLOR SELECT (CCT)

This fixture is equipped with field-adjustable selectable wattage, selectable CCT

1. Ensure power is off to the fixture.
2. Before installation, lay fixture on a stable surface.
3. Unscrew the gasketed cap from the back side of the fixture as shown in the image below.
4. Adjust dip switches to desired settings. *Note: all fixtures are factory preset to highest wattage, 5000K.*
5. Screw on gasketed cap.
6. Restore power to fixture.

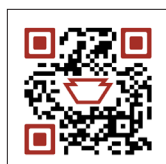


Power Select switch for KT-FLED140PS-R4-OSF-UNV-8CSB-VDIM shown. For reference only. Different SKUs will show different wattages.

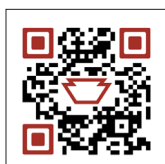
LENS REPLACEMENT

This fixture is equipped with field-adjustable Optic Swap lens replacement.

1. Ensure power is off to the fixture.
2. Before installation, lay fixture on a stable surface.
3. Undo latches on front of fixture and lift lens frame.
4. Remove lens carefully from frame to avoid damage.
5. Inspect replacement lens to ensure that it is positioned inside lens channel.
6. Install new lens in fixture.
7. Close frame and fasten latches.
7. Restore power to fixture.



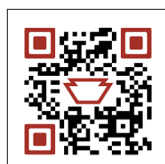
Scan for a further look at **Optic Swap** 140W bronze



Scan for a further look at **Optic Swap** 140W white



Scan for a further look at **Optic Swap** 290W bronze



Scan for a further look at **Optic Swap** 290W white

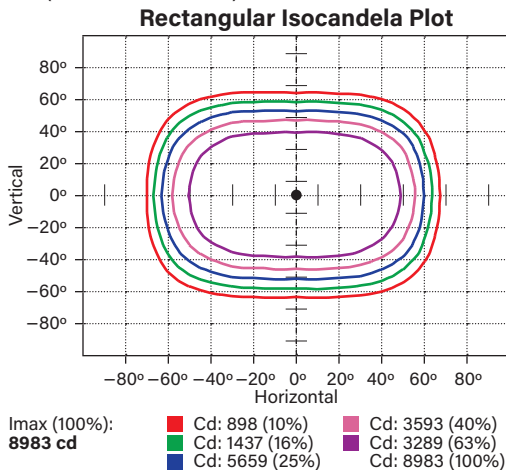
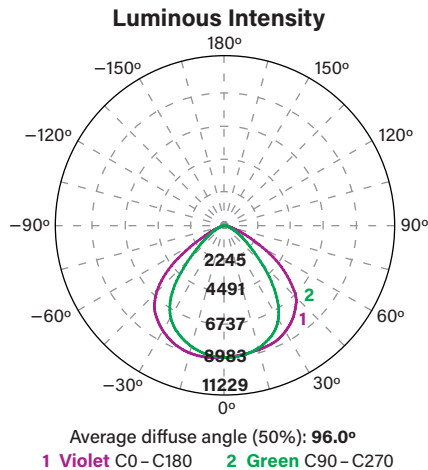


KT-FLEDXXPSXX-R4-OSF-UNV-8CSB-VDIM-X

HIGH POWER LED FLOODLIGHT

PHOTOMETRIC SPECIFICATIONS *(continued)*

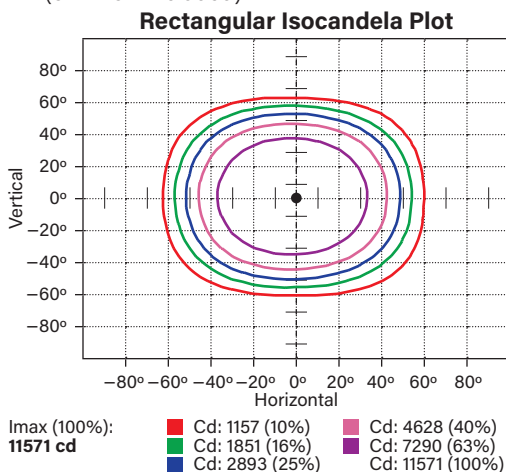
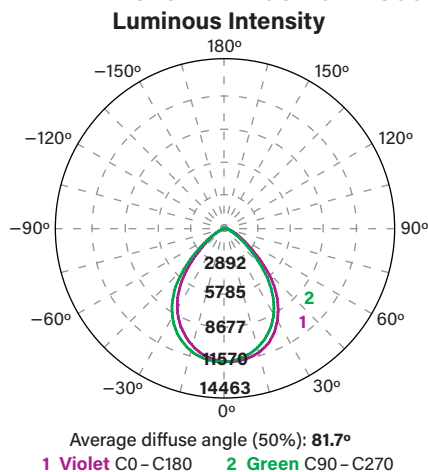
KT-FLED140PSHV-R4-OSF-UNV-8CSB-VDIM (7H x 6V installed)



Flux Distribution

Zone	Lumens	% Luminaire
Forward Light	9,769 lm	49.4%
0°-30°	3,570 lm	18.1%
30°-60°	5,497 lm	27.8%
60°-80°	689 lm	3.5%
80°-90°	13 lm	0.1%
Back Light	9,997 lm	50.6%
0°-30°	3,545 lm	17.9%
30°-60°	5,685 lm	28.8%
60°-80°	745 lm	3.8%
80°-90°	21 lm	0.1%
Up Light	0 lm	0.0%
90°-100°	0 lm	0.0%
100°-180°	0 lm	0.0%
Trapped Light	N/A	N/A

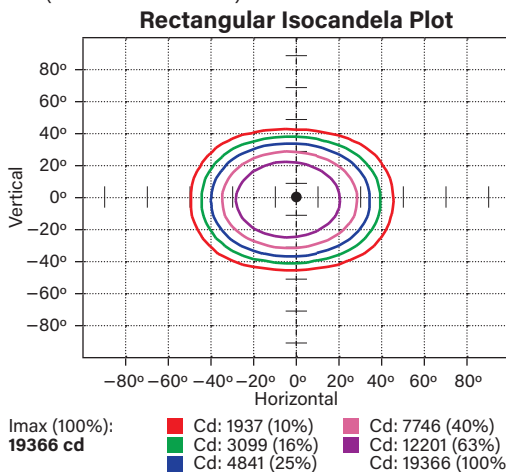
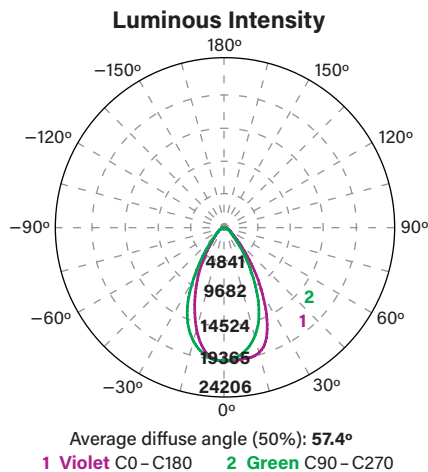
KT-FLED140PSHV-R4-OSF-UNV-8CSB-VDIM (6H x 6V included)



Flux Distribution

Zone	Lumens	% Luminaire
Forward Light	9,395 lm	48.1%
0°-30°	4,188 lm	21.4%
30°-60°	4,687 lm	24.0%
60°-80°	512 lm	2.6%
80°-90°	8 lm	0.0%
Back Light	10,139 lm	51.9%
0°-30°	4,308 lm	22.1%
30°-60°	5,191 lm	26.6%
60°-80°	621 lm	3.2%
80°-90°	20 lm	0.1%
Up Light	0 lm	0.0%
90°-100°	0 lm	0.0%
100°-180°	0 lm	0.0%
Trapped Light	N/A	N/A

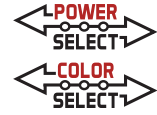
KT-FLED140PSHV-R4-OSF-UNV-8CSB-VDIM (5H x 5V included)



Flux Distribution

Zone	Lumens	% Luminaire
Forward Light	9,706 lm	48.8%
0°-30°	5,930 lm	29.8%
30°-60°	3,332 lm	16.8%
60°-80°	435 lm	2.2%
80°-90°	9 lm	0.0%
Back Light	10,167 lm	51.2%
0°-30°	6,108 lm	30.4%
30°-60°	3,519 lm	17.7%
60°-80°	515 lm	2.6%
80°-90°	25 lm	0.1%
Up Light	0 lm	0.0%
90°-100°	0 lm	0.0%
100°-180°	0 lm	0.0%
Trapped Light	N/A	N/A

(Photometric Specifications continue on next page)

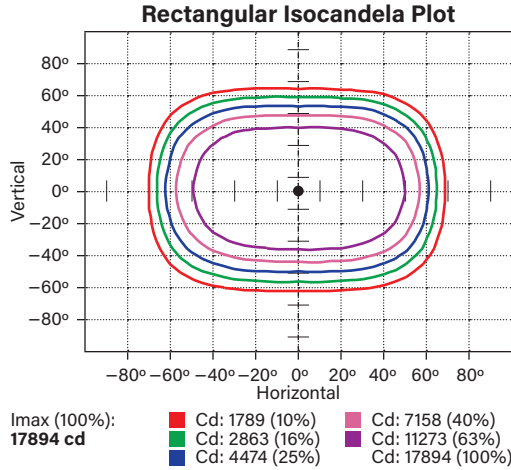
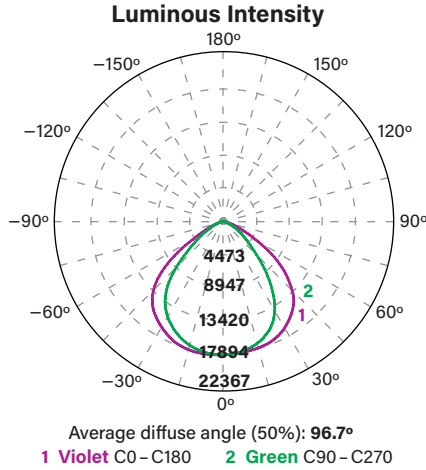


KT-FLEDXXPSXX-R4-OSF-UNV-8CSB-VDIM-X

HIGH POWER LED FLOODLIGHT

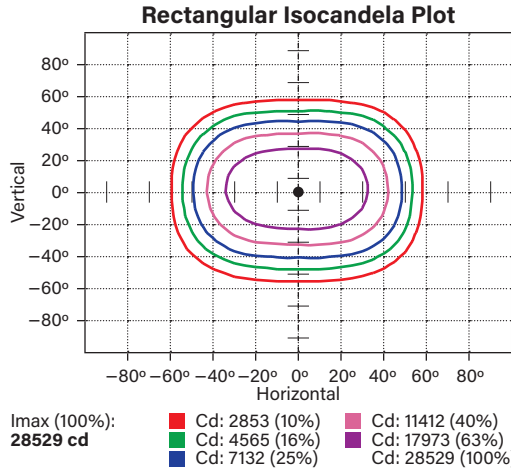
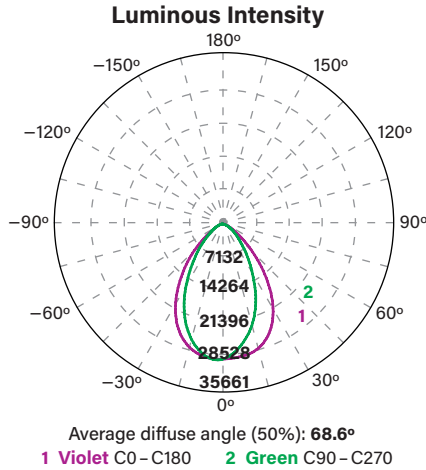
PHOTOMETRIC SPECIFICATIONS *(continued)*

KT-FLED290PSHV-R4-OSF-UNV-8CSB-VDIM (7H x 6V installed)



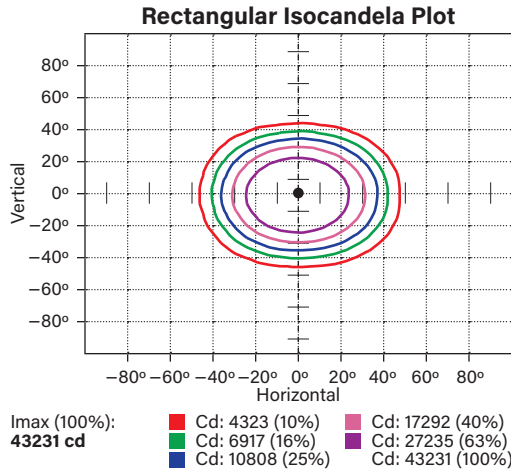
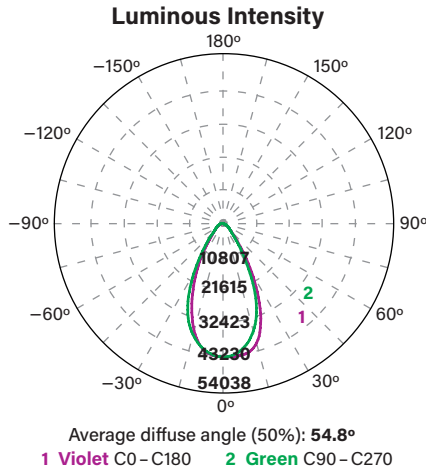
Zone	Lumens	% Luminaire
Forward Light	18,865 lm	47.1%
0°-30°	7,046 lm	17.6%
30°-60°	10,416 lm	26.0%
60°-80°	1,376 lm	3.4%
80°-90°	27 lm	0.1%
Back Light	21,230 lm	52.9%
0°-30°	7,130 lm	17.8%
30°-60°	12,219 lm	30.5%
60°-80°	1,821 lm	4.5%
80°-90°	60 lm	0.2%
Up Light	0 lm	0.0%
90°-100°	0 lm	0.0%
100°-180°	0 lm	0.0%
Trapped Light	N/A	N/A

KT-FLED290PSHV-R4-OSF-UNV-8CSB-VDIM (6H x 6V included)

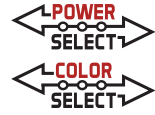


Zone	Lumens	% Luminaire
Forward Light	19,040 lm	47.3%
0°-30°	9,206 lm	22.9%
30°-60°	8,700 lm	21.6%
60°-80°	1,109 lm	2.8%
80°-90°	24 lm	0.1%
Back Light	21,179 lm	52.7%
0°-30°	9,989 lm	24.8%
30°-60°	9,896 lm	24.6%
60°-80°	1,247 lm	3.1%
80°-90°	48 lm	0.1%
Up Light	0 lm	0.0%
90°-100°	0 lm	0.0%
100°-180°	0 lm	0.0%
Trapped Light	N/A	N/A

KT-FLED290PSHV-R4-OSF-UNV-8CSB-VDIM (5H x 5V included)



Zone	Lumens	% Luminaire
Forward Light	20,791 lm	49.3%
0°-30°	12,888 lm	30.6%
30°-60°	6,477 lm	15.4%
60°-80°	1,253 lm	3.0%
80°-90°	174 lm	0.4%
Back Light	21,352 lm	50.7%
0°-30°	13,065 lm	31.0%
30°-60°	6,791 lm	16.1%
60°-80°	1,297 lm	3.1%
80°-90°	198 lm	0.5%
Up Light	0 lm	0.0%
90°-100°	0 lm	0.0%
100°-180°	0 lm	0.0%
Trapped Light	N/A	N/A



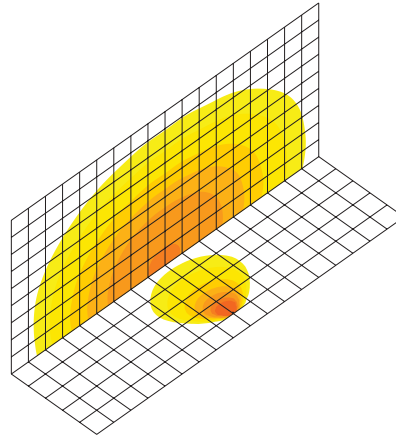
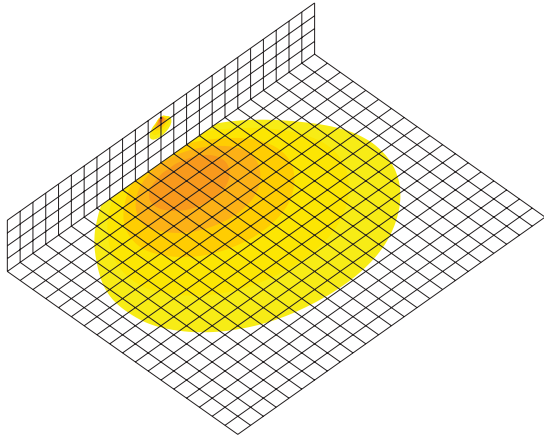
KT-FLEDXXPSXX-R4-OSF-UNV-8CSB-VDIM-X HIGH POWER LED FLOODLIGHT

LIGHT DISTRIBUTION PATTERNS: Isometric View from Above

KT-FLED140PS-R4-OSF-UNV-8CSB-VDIM | KT-FLED140PS-R4-OSF-UNV-8CSB-VDIM-W (7H x 6V installed)

Building exterior mounted at 35' | Aimed 30° below horizontal

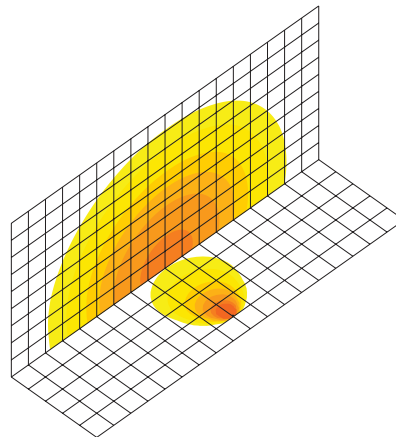
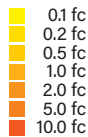
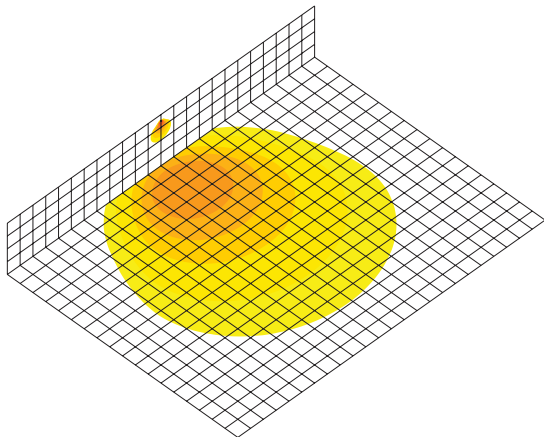
Ground mounted 6" above ground, 40' from building | Aimed 10° above horizontal



KT-FLED140PS-R4-OSF-UNV-8CSB-VDIM | KT-FLED140PS-R4-OSF-UNV-8CSB-VDIM-W (6H x 6V included)

Building exterior mounted at 35' | Aimed 30° below horizontal

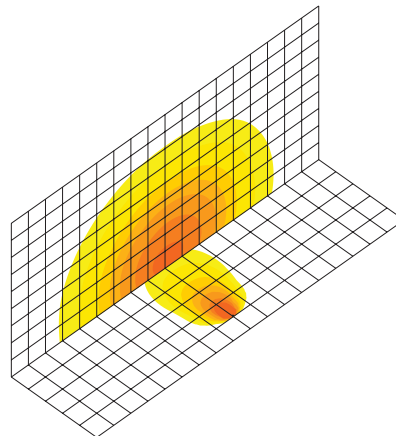
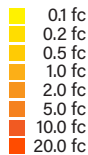
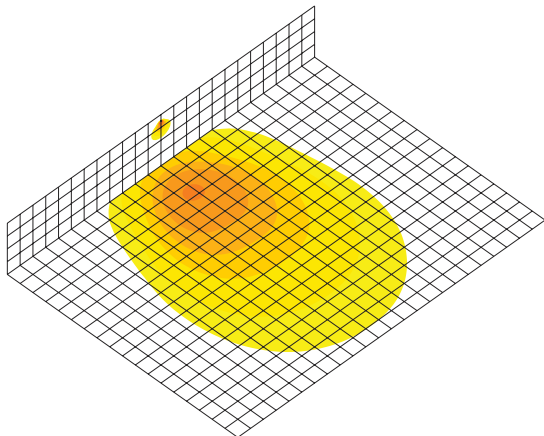
Ground mounted 6" above ground, 40' from building | Aimed 10° above horizontal



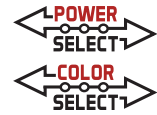
KT-FLED140PS-R4-OSF-UNV-8CSB-VDIM | KT-FLED140PS-R4-OSF-UNV-8CSB-VDIM-W (5H x 5V included)

Building exterior mounted at 35' | Aimed 30° below horizontal

Ground mounted 6" above ground, 40' from building | Aimed 10° above horizontal



(Light Distribution Patterns continue on next page)



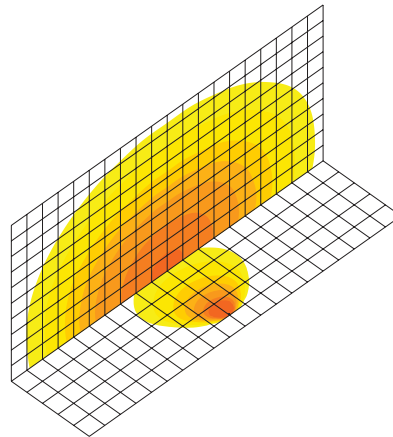
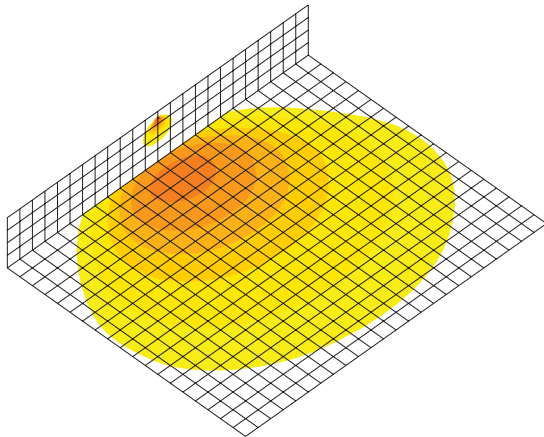
KT-FLEDXXPSXX-R4-OSF-UNV-8CSB-VDIM-X HIGH POWER LED FLOODLIGHT

LIGHT DISTRIBUTION PATTERNS: Isometric View from Above (continued)

KT-FLED290PS-R4-OSF-UNV-8CSB-VDIM | KT-FLED290PS-R4-OSF-UNV-8CSB-VDIM-W (7H x 6V installed)

Building exterior mounted at 35' | Aimed 30° below horizontal

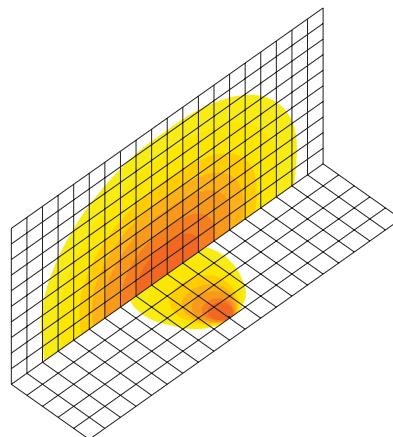
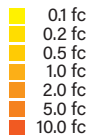
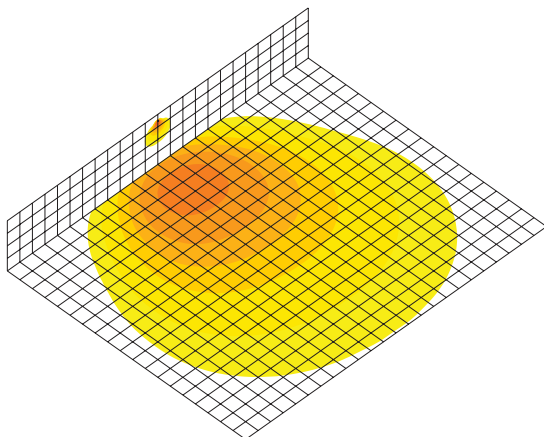
Ground mounted 6" above ground, 40' from building | Aimed 10° above horizontal



KT-FLED290PS-R4-OSF-UNV-8CSB-VDIM | KT-FLED290PS-R4-OSF-UNV-8CSB-VDIM-W (6H x 6V included)

Building exterior mounted at 35' | Aimed 30° below horizontal

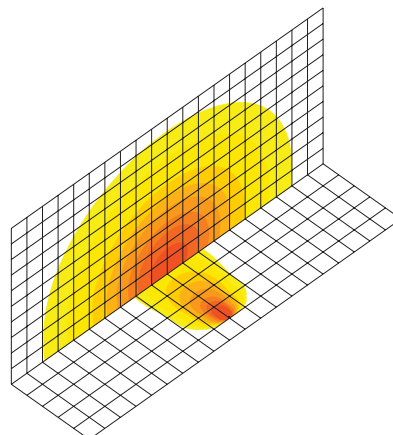
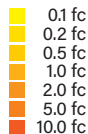
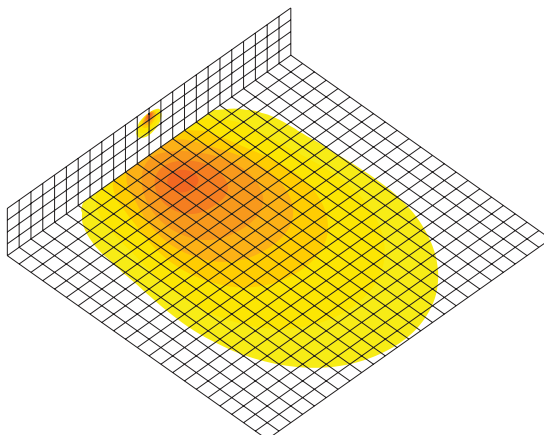
Ground mounted 6" above ground, 40' from building | Aimed 10° above horizontal



KT-FLED290PS-R4-OSF-UNV-8CSB-VDIM | KT-FLED290PS-R4-OSF-UNV-8CSB-VDIM-W (5H x 5V included)

Building exterior mounted at 35' | Aimed 30° below horizontal

Ground mounted 6" above ground, 40' from building | Aimed 10° above horizontal

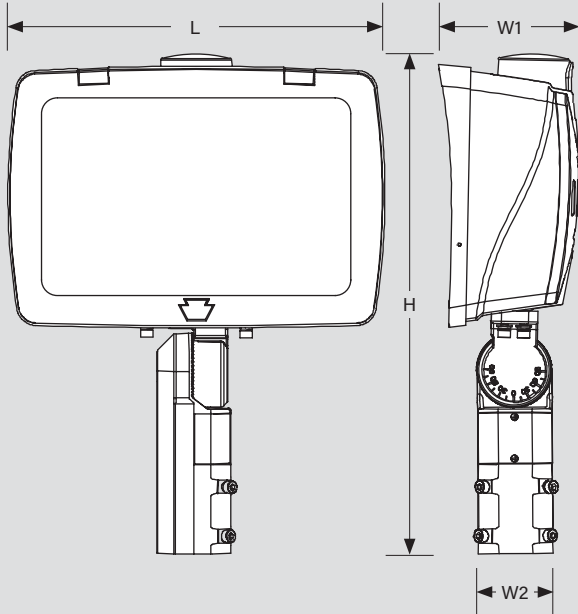


KT-FLEDXXPSXX-R4-OSF-UNV-8CSB-VDIM-X

HIGH POWER LED FLOODLIGHT

PHYSICAL SPECIFICATIONS

SLIPFITTER MOUNT



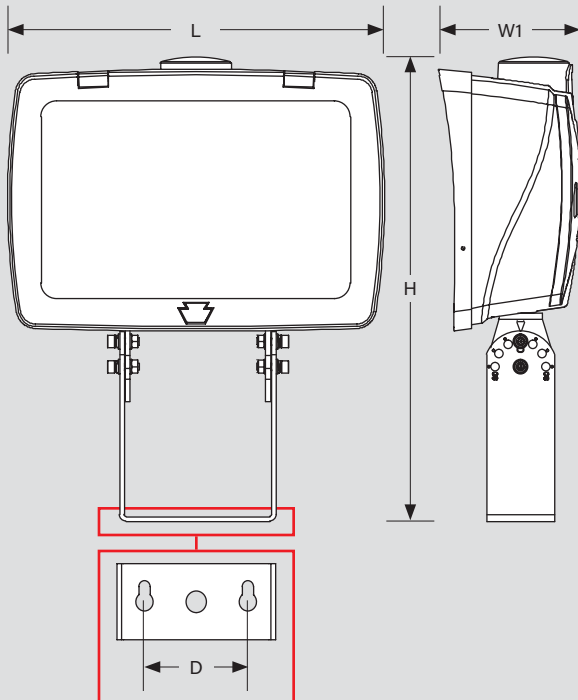
Dimensions

L (Length)	H (Height)	W1 (Width 1)	W2 (Width 2)
KT-FLED140PS-R4-OSF-UNV-8CSB-VDIM KT-FLED140PS-R4-OSF-UNV-8CSB-VDIM-W KT-FLED140PSHV-R4-OSF-UNV-8CSB-VDIM			
12.35"	18.34"	5.58"	3.02"
KT-FLED290PS-R4-OSF-UNV-8CSB-VDIM KT-FLED290PS-R4-OSF-UNV-8CSB-VDIM-W KT-FLED290PSHV-R4-OSF-UNV-8CSB-VDIM			
15.34"	20.33"	5.76"	3.02"

Weight

Catalog Number	Fixture Weight	Carton Weight
KT-FLED140PS-R4-OSF-UNV-8CSB-VDIM KT-FLED140PS-R4-OSF-UNV-8CSB-VDIM-W KT-FLED140PSHV-R4-OSF-UNV-8CSB-VDIM	16.98 lbs	22.10 lbs
KT-FLED290PS-R4-OSF-UNV-8CSB-VDIM KT-FLED290PS-R4-OSF-UNV-8CSB-VDIM-W KT-FLED290PSHV-R4-OSF-UNV-8CSB-VDIM	20.06 lbs	25.80 lbs

TRUNNION MOUNT



Dimensions

L (Length)	H (Height)	W (Width)	D (Distance)
KT-FLED140PS-R4-OSF-UNV-8CSB-VDIM KT-FLED140PS-R4-OSF-UNV-8CSB-VDIM-W KT-FLED140PSHV-R4-OSF-UNV-8CSB-VDIM			
12.35"	16.93"	5.58"	3.98"
KT-FLED290PS-R4-OSF-UNV-8CSB-VDIM KT-FLED290PS-R4-OSF-UNV-8CSB-VDIM-W KT-FLED290PSHV-R4-OSF-UNV-8CSB-VDIM			
15.34"	18.89"	5.76"	3.98"

Weight

Catalog Number	Fixture Weight	Carton Weight
KT-FLED140PS-R4-OSF-UNV-8CSB-VDIM KT-FLED140PS-R4-OSF-UNV-8CSB-VDIM-W KT-FLED140PSHV-R4-OSF-UNV-8CSB-VDIM	18.12 lbs	22.10 lbs
KT-FLED290PS-R4-OSF-UNV-8CSB-VDIM KT-FLED290PS-R4-OSF-UNV-8CSB-VDIM-W KT-FLED290PSHV-R4-OSF-UNV-8CSB-VDIM	21.21 lbs	25.80 lbs



KT-FLEDXXPSXX-R4-OSF-UNV-8CSB-VDIM-X

HIGH POWER LED FLOODLIGHT

MOUNTING OPTIONS

SLIPFITTER MOUNT (Bronze or White)



KT-FLED140PS-R4-OSF-UNV-8CSB-VDIM
 KT-FLED140PS-R4-OSF-UNV-8CSB-VDIM-W
 KT-FLED140PSHV-R4-OSF-UNV-8CSB-VDIM*



KT-FLED290PS-R4-OSF-UNV-8CSB-VDIM
 KT-FLED290PS-R4-OSF-UNV-8CSB-VDIM-W
 KT-FLED290PSHV-R4-OSF-UNV-8CSB-VDIM*



TRUNNION MOUNT (Bronze or White)



KT-FLED140PS-R4-OSF-UNV-8CSB-VDIM
 KT-FLED140PS-R4-OSF-UNV-8CSB-VDIM-W
 KT-FLED140PSHV-R4-OSF-UNV-8CSB-VDIM*



KT-FLED290PS-R4-OSF-UNV-8CSB-VDIM
 KT-FLED290PS-R4-OSF-UNV-8CSB-VDIM-W
 KT-FLED290PSHV-R4-OSF-UNV-8CSB-VDIM*



* Note: high voltage fixtures not available in white housing

EPA SPECIFICATIONS

FIXTURE HOUSING

- Conditions: Horizontal winds only for calculations.
- Worst case total projected area used for calculations.
- All drag coefficients are set as worst case 1.2.
- For details on exact EPA calculations and assumptions, please contact productsupport@keystonetech.com

EPA CALCULATIONS FOR 140-290W FIXTURES

FIXTURE WATTAGE	MOUNTING POSITION		
	Vertical	Horizontal	45°
140W	0.82 sq/ft	0.30 sq/ft	0.85 sq/ft
290W	0.82 sq/ft	0.30 sq/ft	0.85 sq/ft

KT-FLEDXXPSXX-R4-OSF-UNV-8CSB-VDIM-X

HIGH POWER LED FLOODLIGHT

ACCESSORIES

SENSORS

Field-Installable only (for replacement purposes only)

✓	SUFFIX	CATALOG NUMBER	DESCRIPTION	UPC	EASY CODE
	—	KT-TLP-UV-3PN	NEMA-Type 3-Pin Twist-lock Photocell 120-277V 1800VA max Blue	843654131825	NQT-46
	—	KT-TLP-HV-3PN	NEMA-Type 3-Pin Twist-lock Photocell 277-480V 1800VA max Yellow	843654131832	CGF-01
	—	KT-RSC-7PN	NEMA 7-pin receptacle and shorting cap Black housing	843654135205	BIZ-08



GUARDS AND SHIELDS

Field-Installable only (purchased separately)

✓	SUFFIX	CATALOG NUMBER	DESCRIPTION	UPC	EASY CODE
	—	KT-FLED-GS-R4-1-KIT	Glare shield Used on 140W rectangular series 4 floodlight Bronze	843654160511	SSA-41
	—	KT-FLED-GS-R4-1-KIT-W	Glare shield Used on 140W rectangular series 4 floodlight White	843654160528	QZL-83
	—	KT-FLED-GS-R4-2-KIT	Glare shield Used on 290W rectangular series 4 floodlight Bronze	843654160535	PBK-69
	—	KT-FLED-GS-R4-2-KIT-W	Glare shield Used on 290W rectangular series 4 floodlight White	843654160542	VTD-91



(Accessories continue on next page)



KT-FLEDXXPSXX-R4-OSF-UNV-8CSB-VDIM-X

HIGH POWER LED FLOODLIGHT

ACCESSORIES *(continued)*

SURGE PROTECTORS

Field-Installable only (purchased separately)

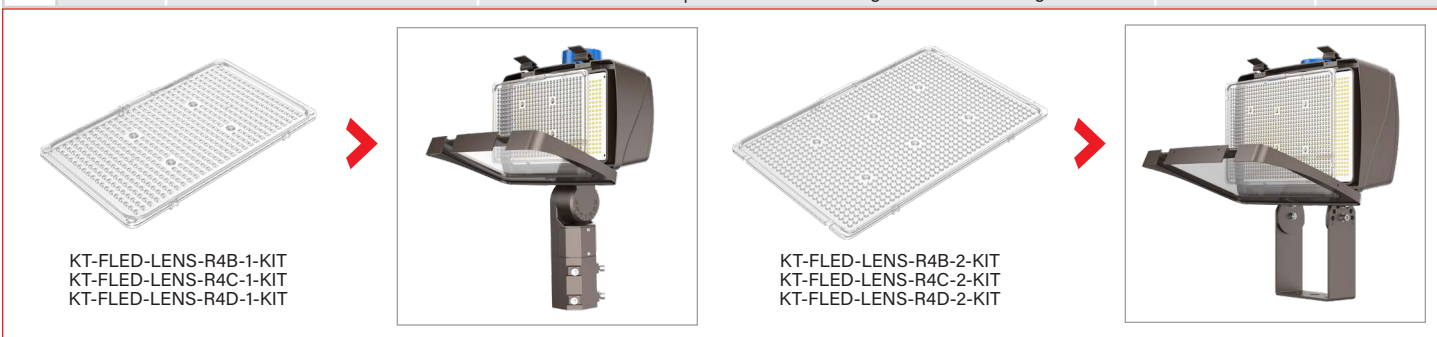
✓	SUFFIX	CATALOG NUMBER	DESCRIPTION	UPC	EASY CODE
	—	KTSP-10KV-C	External surge protector Compact design	843654129204	BUU-26

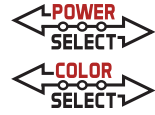


LENSES

Field-Installable only (for replacement purposes only)

✓	SUFFIX	CATALOG NUMBER	DESCRIPTION	UPC	EASY CODE
	—	KT-FLED-LENS-R4B-1-KIT	7H x 6V lens Used on 140W rectangular series 4 floodlight	843654160450	NDG-34
	—	KT-FLED-LENS-R4C-1-KIT	6H x 6V lens Used on 140W rectangular series 4 floodlight	843654160467	AIY-92
	—	KT-FLED-LENS-R4D-1-KIT	5H x 5V lens Used on 140W rectangular series 4 floodlight	843654160474	GKY-31
	—	KT-FLED-LENS-R4B-2-KIT	7H x 6V lens Used on 290W rectangular series 4 floodlight	843654160481	MJP-20
	—	KT-FLED-LENS-R4C-2-KIT	6H x 6V lens Used on 290W rectangular series 4 floodlight	843654160498	LYN-17
	—	KT-FLED-LENS-R4D-2-KIT	5H x 5V lens Used on 290W rectangular series 4 floodlight	843654160504	ZGO-70



KT-FLEDXXPSXX-R4-OSF-UNV-8CSB-VDIM-X

HIGH POWER LED FLOODLIGHT

ORDERING INFORMATION

Catalog Number	UPC	Easy Code	DLC Product ID
KT-FLED140PS-R4-OSF-UNV-8CSB-VDIM	843654160085	OYF-58	S-6MVFWJ
KT-FLED140PS-R4-OSF-UNV-8CSB-VDIM-W	843654160092	GTK-02	S-6MVFWJ
KT-FLED140PSHV-R4-OSF-UNV-8CSB-VDIM	843654160108	LHZ-75	S-P7T4GM
KT-FLED290PS-R4-OSF-UNV-8CSB-VDIM	843654160115	LNQ-84	S-840KRV
KT-FLED290PS-R4-OSF-UNV-8CSB-VDIM-W	843654160122	MVW-62	S-840KRV
KT-FLED290PSHV-R4-OSF-UNV-8CSB-VDIM	843654160139	UAF-87	S-D82ZCN

CATALOG NUMBER BREAKDOWN

KT-FLEDXXPSXX-R4-OSF-UNV-8CSB-VDIM-X

1	2	3	4	5	6	7	8	9	10	11	12	13	14	15
1 Keystone Technologies	2 LED Floodlight Fixture	3 Max Wattage	4 Power Select	5 Input Voltage	5 Input Voltage		7 Style		9 Distribution					
						120-277V	4	Series 4	F	7H × 6V Installed 6H × 6V Included 5H × 5V Included				
						HV	277-480V							
					10 Mounting	13 Color Select Designation		15 Housing Color						
					UNV	Universal	B	3000/4000/5000K		Bronze				
										-W		White		
6 Rectangular Shape	7 Style	8 Optic Swap	9 Distribution	10 Mounting	11 80 CRI	12 Color Select	13 Color Select Designation	14 0-10V Dimming	15 Housing Color					