



# KT-FLEDXXPS-R4A-UNV-8CSB-VDIM-X

## GENERAL PURPOSE FLOODLIGHT

**DESCRIPTION**

LED Rectangular Floodlight | Power Select | Color Select | 120-277V Input | Built-in Photocell | Two Mounting Options Included | Bronze or White Finishes Available

**APPLICATION**

Ground, pole/tenon, or building mount applications (building façades, signs, recreational venues, general area lighting)



**PRODUCT FEATURES**

- Keystone Power Select technology (see *Performance Specifications* for details)
- Keystone Color Select technology (3000/4000/5000K)
- LED floodlight with innovative design based on established floodlight principles
- Heavy-duty, die-cast aluminum housing
- Two interchangeable mount options included in each package
- Built-in dusk-to-dawn photocell under 3/4" knockout with anti-yellowing agent
- NEMA 7H x 7V wide floodlight distribution
- Keystone 0-10V dimming driver with 2.5kV surge protection (6kV surge protection on 100W fixture)
- Ambient operating temperature: -40°C/-40°F to 50°C/122°F
- UL Certified for wet locations; IP65 rated
- Power factor: > 0.95
- THD: < 20%
- LED chip lifetime: L70 > 100,000 hrs @ 25°C/77°F ambient fixture temperature
- Meets FCC Part 15, Part B, Class A standards for conducted and radiated emissions

**PERFORMANCE SPECIFICATIONS**

| Catalog Number   | Selectable Wattage | Selectable CCT | Lumens | Efficacy | Input Voltage | CRI  | Dimming | Mounting                                    | Lifetime   | Housing Color*                     | Legacy Equivalent |
|--|--------------------|----------------|--------|----------|---------------|------|---------|---|------------|------------------------------------|-------------------|
| KT-FLED15PS-R4A-UNV-8CSB-VDIM<br>KT-FLED15PS-R4A-UNV-8CSB-VDIM-W | 15W                | 3000K          | 1,950  | 130 lm/W | 120-277V      | > 80 | 0-10V   | Universal: knuckle and yoke mounts included | 50,000 hrs | Bronze or white finishes available | 70W MH            |
|  |                    | 4000K          | 2,250  | 150 lm/W |               |      |         |   |            |                                    |                   |
|  |                    | 5000K          | 2,100  | 140 lm/W |               |      |         |   |            |                                    |                   |
|  | 12W                | 3000K          | 1,584  | 132 lm/W |               |      |         |   |            |                                    |                   |
|  |                    | 4000K          | 1,836  | 153 lm/W |               |      |         |   |            |                                    |                   |
|  |                    | 5000K          | 1,716  | 143 lm/W |               |      |         |   |            |                                    |                   |
|  | 9W                 | 3000K          | 1,242  | 138 lm/W |               |      |         |   |            |                                    |                   |
|  |                    | 4000K          | 1,404  | 156 lm/W |               |      |         |   |            |                                    |                   |
|  |                    | 5000K          | 1,332  | 148 lm/W |               |      |         |   |            |                                    |                   |

\* See Ordering Information and Catalog Number Breakdown for more details.

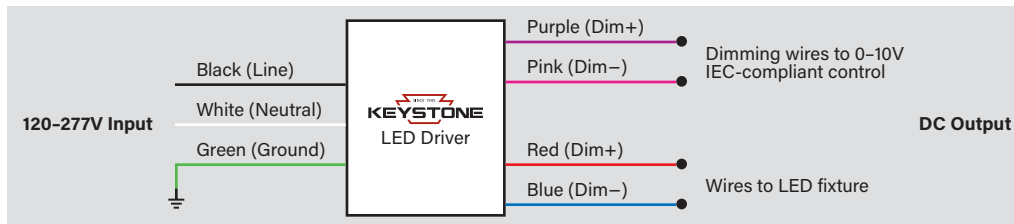
(Performance Specifications continue on next page)



# KT-FLEDXXPS-R4A-UNV-8CSB-VDIM-X

## GENERAL PURPOSE FLOODLIGHT

### GENERAL WIRING DIAGRAM



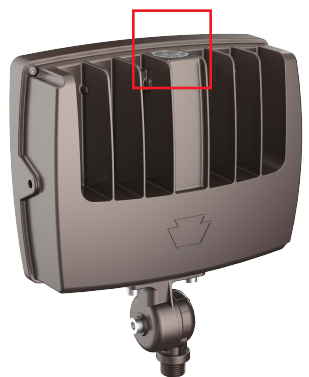
### POWER SELECT (WATTAGE) AND COLOR SELECT (CCT), AND PHOTOCELL ADJUSTMENT

This fixture is equipped with field-adjustable selectable wattage, selectable CCT, and photocell adjustment technology.

1. Ensure power is off to the fixture.
2. Unscrew the gasketed caps from the top and bottom sides of the fixture as shown in the images below.
3. Adjust dip switches to desired settings. *Note: all fixtures are factory preset to highest wattage, 5000K, and photocell enabled.*
4. Screw on gasketed caps.
5. Restore power to fixture.



Power Select switch for KT-FLED100PS-R4A-UNV-8CSB-VDIM shown. For reference only. Different SKUs will show different wattages.



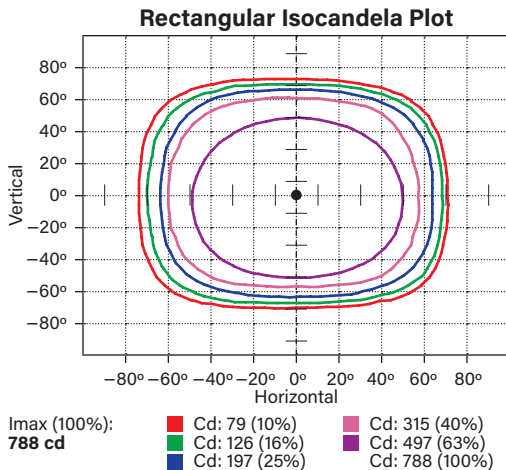
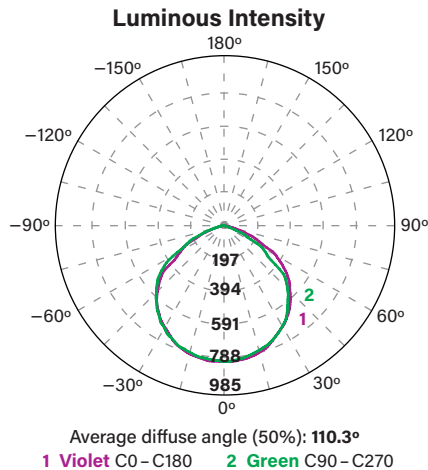


# KT-FLEDXXPS-R4A-UNV-8CSB-VDIM-X

## GENERAL PURPOSE FLOODLIGHT

### PHOTOMETRIC SPECIFICATIONS

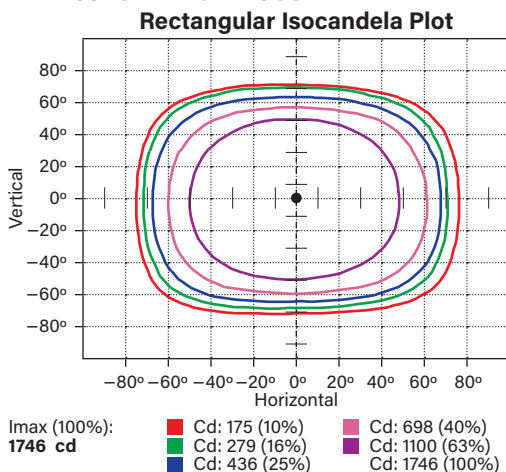
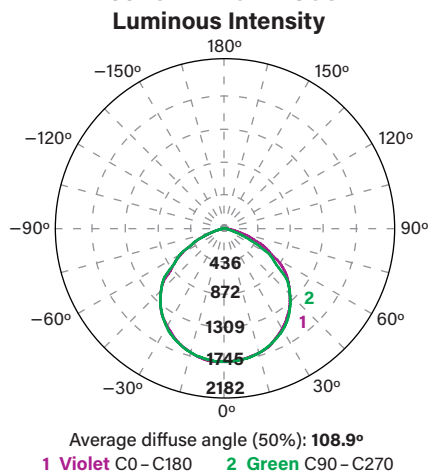
KT-FLED15PS-R4A-UNV-8CSB-VDIM | KT-FLED15PS-R4A-UNV-8CSB-VDIM-W



### Flux Distribution

| Zone                 | Lumens   | % Luminaire |
|----------------------|----------|-------------|
| <b>Forward Light</b> | 101.3 lm | 49.0%       |
| 0°-30°               | 308 lm   | 14.9%       |
| 30°-60°              | 578 lm   | 28.0%       |
| 60°-80°              | 124 lm   | 6.0%        |
| 80°-90°              | 2 lm     | 0.1%        |
| <b>Back Light</b>    | 1,055 lm | 51.0%       |
| 0°-30°               | 308 lm   | 14.9%       |
| 30°-60°              | 594 lm   | 28.7%       |
| 60°-80°              | 149 lm   | 7.2%        |
| 80°-90°              | 3 lm     | 0.2%        |
| <b>Up Light</b>      | 0 lm     | 0.0%        |
| 90°-100°             | 0 lm     | 0.0%        |
| 100°-180°            | 0 lm     | 0.08%       |
| <b>Trapped Light</b> | N/A      | N/A         |

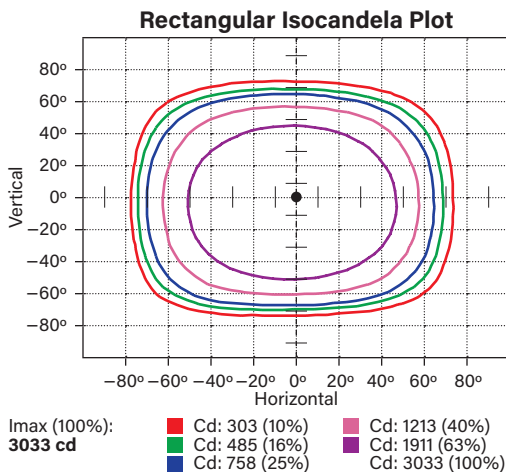
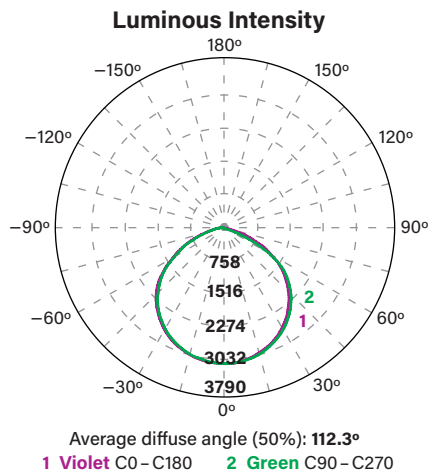
KT-FLED35PS-R4A-UNV-8CSB-VDIM | KT-FLED35PS-R4A-UNV-8CSB-VDIM-W



### Flux Distribution

| Zone                 | Lumens   | % Luminaire |
|----------------------|----------|-------------|
| <b>Forward Light</b> | 2,315 lm | 50.3%       |
| 0°-30°               | 688 lm   | 15.0%       |
| 30°-60°              | 1,314 lm | 28.6%       |
| 60°-80°              | 309 lm   | 6.7%        |
| 80°-90°              | 4 lm     | 0.1%        |
| <b>Back Light</b>    | 2,284 lm | 49.7%       |
| 0°-30°               | 681 lm   | 14.8%       |
| 30°-60°              | 1,282 lm | 27.9%       |
| 60°-80°              | 315 lm   | 6.8%        |
| 80°-90°              | 7 lm     | 0.1%        |
| <b>Up Light</b>      | 0 lm     | 0.0%        |
| 90°-100°             | 0 lm     | 0.0%        |
| 100°-180°            | 0 lm     | 0.0%        |
| <b>Trapped Light</b> | N/A      | N/A         |

KT-FLED60PS-R4A-UNV-8CSB-VDIM | KT-FLED60PS-R4A-UNV-8CSB-VDIM-W



### Flux Distribution

| Zone                 | Lumens   | % Luminaire |
|----------------------|----------|-------------|
| <b>Forward Light</b> | 4,202 lm | 51.7%       |
| 0°-30°               | 1,202 lm | 14.8%       |
| 30°-60°              | 2,368 lm | 29.1%       |
| 60°-80°              | 626 lm   | 7.7%        |
| 80°-90°              | 7 lm     | 0.1%        |
| <b>Back Light</b>    | 3,931 lm | 48.3%       |
| 0°-30°               | 1,170 lm | 14.4%       |
| 30°-60°              | 2,189 lm | 26.9%       |
| 60°-80°              | 561 lm   | 6.9%        |
| 80°-90°              | 10 lm    | 0.1%        |
| <b>Up Light</b>      | 0 lm     | 0.0%        |
| 90°-100°             | 0 lm     | 0.0%        |
| 100°-180°            | 0 lm     | 0.0%        |
| <b>Trapped Light</b> | N/A      | N/A         |

(Photometric Specifications continue on next page)

# KT-FLEDXXPS-R4A-UNV-8CSB-VDIM-X

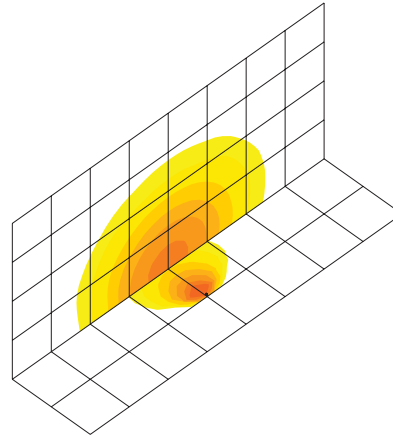
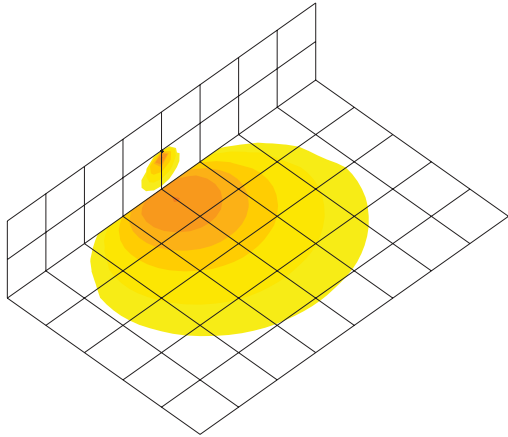
## GENERAL PURPOSE FLOODLIGHT

### LIGHT DISTRIBUTION PATTERNS: Isometric View from Above

#### KT-FLED15PS-R4A-UNV-8CSB-VDIM | KT-FLED15PS-R4A-UNV-8CSB-VDIM-W

Building exterior mounted at 10' | Aimed 30° below horizontal

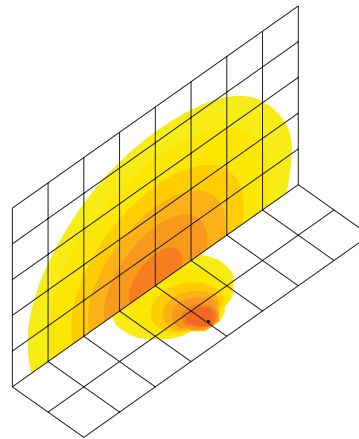
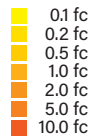
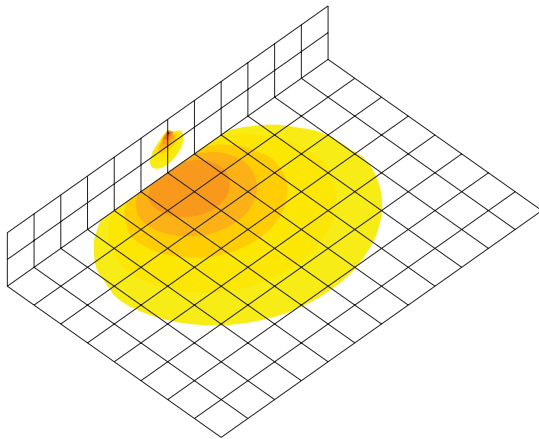
Ground mounted 6" above ground, 10' from building | Aimed 10° above horizontal



#### KT-FLED35PS-R4A-UNV-8CSB-VDIM | KT-FLED35PS-R4A-UNV-8CSB-VDIM-W

Building exterior mounted at 15' | Aimed 30° below horizontal

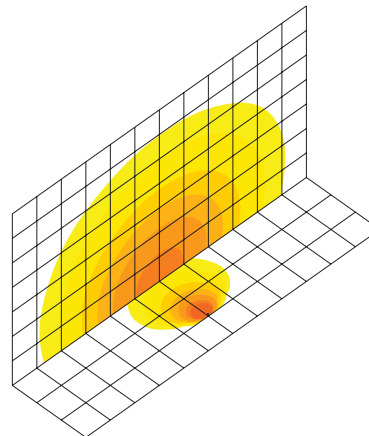
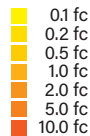
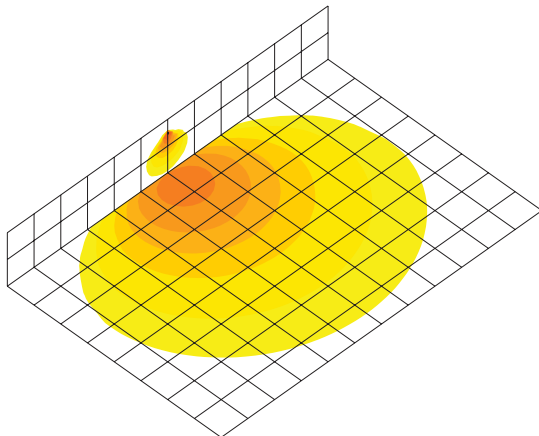
Ground mounted 6" above ground, 15' from building | Aimed 10° above horizontal



#### KT-FLED60PS-R4A-UNV-8CSB-VDIM | KT-FLED60PS-R4A-UNV-8CSB-VDIM-W

Building exterior mounted at 15' | Aimed 30° below horizontal

Ground mounted 6" above ground, 20' from building | Aimed 10° above horizontal



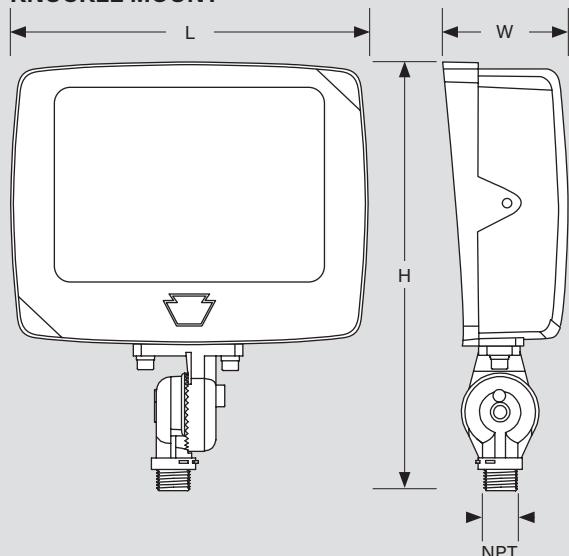
*(Light Distribution Patterns continue on next page)*

# KT-FLEDXXPS-R4A-UNV-8CSB-VDIM-X

## GENERAL PURPOSE FLOODLIGHT

### PHYSICAL SPECIFICATIONS

#### KNUCKLE MOUNT



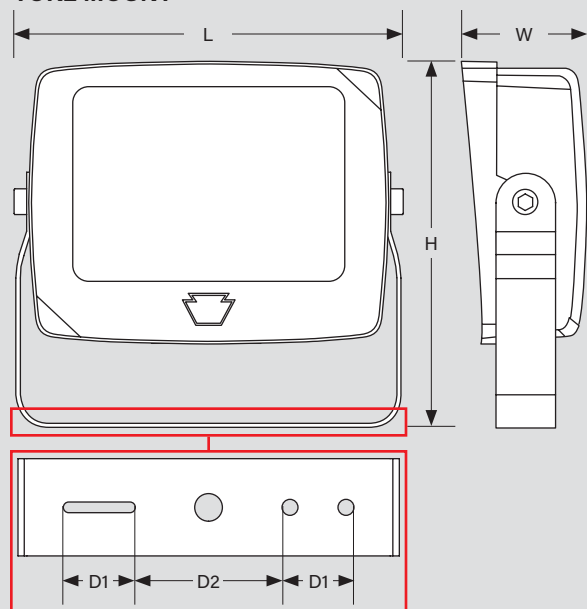
#### Dimensions

| L (Length)   | H (Height) | W (Width) | NPT  |
|--|------------|-----------|------|
| KT-FLED15PS-R4A-UNV-8CSB-VDIM<br>KT-FLED15PS-R4A-UNV-8CSB-VDIM-W |            |           |      |
| 6.48"  | 8.43"      | 2.40"     | 0.5" |
| KT-FLED35PS-R4A-UNV-8CSB-VDIM<br>KT-FLED35PS-R4A-UNV-8CSB-VDIM-W |            |           |      |
| 7.39"  | 8.70"      | 2.51"     | 0.5" |
| KT-FLED60PS-R4A-UNV-8CSB-VDIM<br>KT-FLED60PS-R4A-UNV-8CSB-VDIM-W |            |           |      |
| 8.72"  | 10.31"     | 3.04"     | 0.5" |

#### Weight

| Catalog Number   | Fixture Weight | Carton Weight |
|--|----------------|---------------|
| KT-FLED15PS-R4A-UNV-8CSB-VDIM<br>KT-FLED15PS-R4A-UNV-8CSB-VDIM-W | 2.25 lbs       | 2.89 lbs      |
| KT-FLED35PS-R4A-UNV-8CSB-VDIM<br>KT-FLED35PS-R4A-UNV-8CSB-VDIM-W | 2.49 lbs       | 3.26 lbs      |
| KT-FLED60PS-R4A-UNV-8CSB-VDIM<br>KT-FLED60PS-R4A-UNV-8CSB-VDIM-W | 3.52 lbs       | 4.31 lbs      |

#### YOKE MOUNT



#### Dimensions

| L (Length)   | H (Height) | W (Width) | D1 (Distance 1) | D2 (Distance 2) |
|--|------------|-----------|-----------------|-----------------|
| KT-FLED15PS-R4A-UNV-8CSB-VDIM<br>KT-FLED15PS-R4A-UNV-8CSB-VDIM-W |            |           |                 |                 |
| 7.41"  | 6.10"      | 2.40"     | 1.10"           | 2.21"           |
| KT-FLED35PS-R4A-UNV-8CSB-VDIM<br>KT-FLED35PS-R4A-UNV-8CSB-VDIM-W |            |           |                 |                 |
| 8.33"  | 7.02"      | 2.51"     | 1.10"           | 2.21"           |
| KT-FLED60PS-R4A-UNV-8CSB-VDIM<br>KT-FLED60PS-R4A-UNV-8CSB-VDIM-W |            |           |                 |                 |
| 9.70"  | 8.11"      | 3.04"     | 1.10"           | 2.21"           |

#### Weight

| Catalog Number   | Fixture Weight | Carton Weight |
|--|----------------|---------------|
| KT-FLED15PS-R4A-UNV-8CSB-VDIM<br>KT-FLED15PS-R4A-UNV-8CSB-VDIM-W | 2.31 lbs       | 2.89 lbs      |
| KT-FLED35PS-R4A-UNV-8CSB-VDIM<br>KT-FLED35PS-R4A-UNV-8CSB-VDIM-W | 2.37 lbs       | 3.26 lbs      |
| KT-FLED60PS-R4A-UNV-8CSB-VDIM<br>KT-FLED60PS-R4A-UNV-8CSB-VDIM-W | 2.42 lbs       | 4.32 lbs      |

(Physical Specifications continues on next page)

# KT-FLEDXXPS-R4A-UNV-8CSB-VDIM-X

## GENERAL PURPOSE FLOODLIGHT

### MOUNTING OPTIONS

#### KNUCKLE MOUNT (Bronze or White)



KT-FLED15PS-R4A-UNV-8CSB-VDIM  
KT-FLED15PS-R4A-UNV-8CSB-VDIM-W



KT-FLED35PS-R4A-UNV-8CSB-VDIM  
KT-FLED35PS-R4A-UNV-8CSB-VDIM-W



KT-FLED60PS-R4A-UNV-8CSB-VDIM  
KT-FLED60PS-R4A-UNV-8CSB-VDIM-W



#### YOKE MOUNT (Bronze or White)



KT-FLED15PS-R4A-UNV-8CSB-VDIM  
KT-FLED15PS-R4A-UNV-8CSB-VDIM-W



KT-FLED35PS-R4A-UNV-8CSB-VDIM  
KT-FLED35PS-R4A-UNV-8CSB-VDIM-W



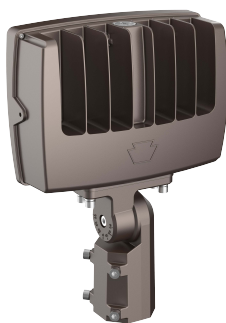
KT-FLED60PS-R4A-UNV-8CSB-VDIM  
KT-FLED60PS-R4A-UNV-8CSB-VDIM-W



#### SLIPFITTER MOUNT (Bronze or White)



KT-FLED75PS-R4A-UNV-8CSB-VDIM  
KT-FLED75PS-R4A-UNV-8CSB-VDIM-W



KT-FLED100PS-R4A-UNV-8CSB-VDIM  
KT-FLED100PS-R4A-UNV-8CSB-VDIM-W



#### TRUNNION MOUNT (Bronze or White)



KT-FLED75PS-R4A-UNV-8CSB-VDIM  
KT-FLED75PS-R4A-UNV-8CSB-VDIM-W



KT-FLED100PS-R4A-UNV-8CSB-VDIM  
KT-FLED100PS-R4A-UNV-8CSB-VDIM-W





# KT-FLEDXXPS-R4A-UNV-8CSB-VDIM-X

## GENERAL PURPOSE FLOODLIGHT

### EPA SPECIFICATIONS

#### FIXTURE HOUSING

- Conditions: Horizontal winds only for calculations.
- Worst case total projected area used for calculations.
- All drag coefficients are set as worst case 1.2.
- For details on exact EPA calculations and assumptions, please contact [productsupport@keystonetech.com](mailto:productsupport@keystonetech.com)

#### EPA CALCULATIONS FOR 15-100W FIXTURES

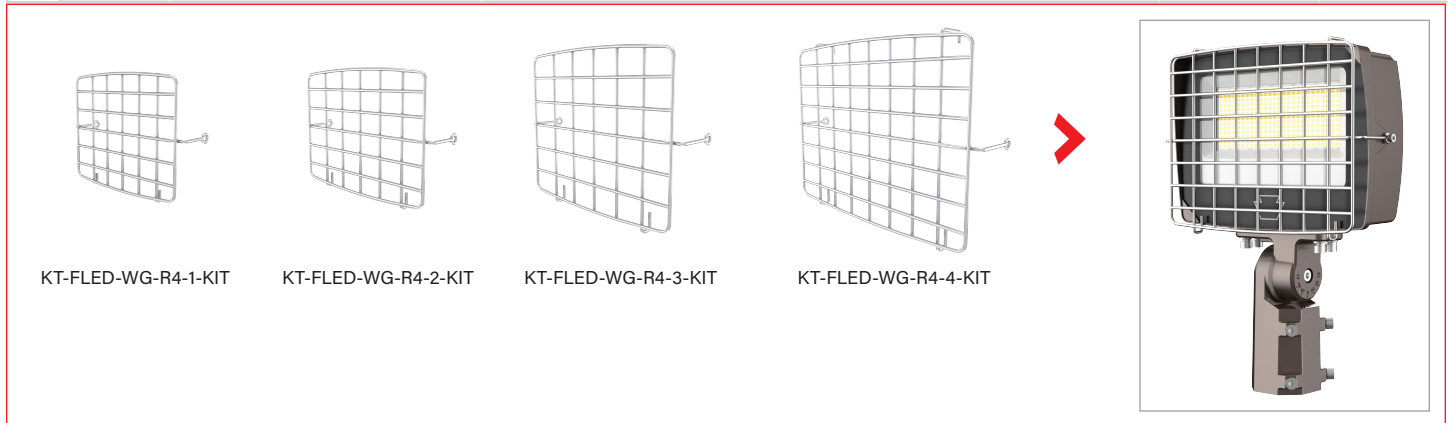
| FIXTURE WATTAGE | MOUNTING POSITION |            |            |
|-----------------|-------------------|------------|------------|
|                 | Vertical          | Horizontal | 45°        |
| 15W             | 0.25 sq/ft        | 0.12 sq/ft | 0.26 sq/ft |
| 35W             | 0.34 sq/ft        | 0.17 sq/ft | 0.36 sq/ft |
| 60W             | 0.42 sq/ft        | 0.20 sq/ft | 0.44 sq/ft |
| 75W             | 0.62 sq/ft        | 0.30 sq/ft | 0.65 sq/ft |
| 100W            | 0.62 sq/ft        | 0.30 sq/ft | 0.65 sq/ft |

### ACCESSORIES

#### GUARDS AND SHIELDS

Field-Installable only (purchased separately)

| ✓ | SUFFIX* | CATALOG NUMBER      | DESCRIPTION   | UPC          | EASY CODE |
|---|---------|---------------------|---|--------------|-----------|
|   | —       | KT-FLED-WG-R4-1-KIT | Wire guard   Used on 15W series 4 floodlight          | 843654160412 | GZR-05    |
|   | —       | KT-FLED-WG-R4-2-KIT | Wire guard   Used on 35W series 4 floodlight          | 843654160429 | OST-13    |
|   | —       | KT-FLED-WG-R4-3-KIT | Wire guard   Used on 60W series 4 floodlight          | 843654160436 | SYN-26    |
|   | —       | KT-FLED-WG-R4-4-KIT | Wire guard   Used on 75W and 100W series 4 floodlight | 843654160443 | NSA-47    |



(Accessories continue on next page)



# KT-FLEDXXPS-R4A-UNV-8CSB-VDIM-X

## GENERAL PURPOSE FLOODLIGHT

### ACCESSORIES *(continued)*

#### MOUNTS AND BRACKETS

Field-Installable only (purchased separately)

| ✓ | SUFFIX* | CATALOG NUMBER     | DESCRIPTION  | UPC          | EASY CODE |
|---|---------|--------------------|--|--------------|-----------|
|   | —       | KT-FLED-SF-1-KIT   | Slipfitter Mount Adaptor   Used on 15-60W series 4 floodlight   Bronze     | 843654153308 | JJS-86    |
|   | —       | KT-FLED-SF-1-KIT-W | Slipfitter Mount Adaptor   Used on 15-60W series 4 floodlight   White      | 843654153582 | TZP-68    |
|   | —       | KT-FLED-KM-1-KIT   | Knuckle mount   Used on 75-100W series 4 floodlight   Bronze               | 843654146836 | JAR-10    |
|   | —       | KT-FLED-KM-1-KIT-W | Knuckle mount   Used on 75-100W series 4 floodlight   White                | 843654160931 | BWO-02    |
|   | —       | KT-FLED-SM-1-KIT   | Surface mount/wall mount kit   Used on 15-60W series 4 floodlight   Bronze | 843654129167 | HZJ-35    |
|   | —       | KT-FLED-SM-1-KIT-W | Surface mount/wall mount kit   Used on 15-60W series 4 floodlight   White  | 843654140551 | JNW-56    |



KT-FLED-SF-1-KIT



KT-FLED-SF-1-KIT-W



KT-FLED-KM-1-KIT



KT-FLED-KM-1-KIT-W



KT-FLED-SM-1-KIT



KT-FLED-SM-1-KIT-W





# KT-FLEDXXPS-R4A-UNV-8CSB-VDIM-X

## GENERAL PURPOSE FLOODLIGHT

### ORDERING INFORMATION

| Catalog Number                   | UPC          | Easy Code | DLC Product ID |
|----------------------------------|--------------|-----------|----------------|
| KT-FLED15PS-R4A-UNV-8CSB-VDIM    | 843654159980 | XBU-79    | TBD            |
| KT-FLED15PS-R4A-UNV-8CSB-VDIM-W  | 843654159997 | BAU-35    | TBD            |
| KT-FLED35PS-R4A-UNV-8CSB-VDIM    | 843654160009 | WAW-25    | TBD            |
| KT-FLED35PS-R4A-UNV-8CSB-VDIM-W  | 843654160016 | VAO-46    | TBD            |
| KT-FLED60PS-R4A-UNV-8CSB-VDIM    | 843654160023 | CFQ-95    | TBD            |
| KT-FLED60PS-R4A-UNV-8CSB-VDIM-W  | 843654160030 | NJC-32    | TBD            |
| KT-FLED75PS-R4A-UNV-8CSB-VDIM    | 843654160047 | FKY-33    | TBD            |
| KT-FLED75PS-R4A-UNV-8CSB-VDIM-W  | 843654160054 | XET-23    | TBD            |
| KT-FLED100PS-R4A-UNV-8CSB-VDIM   | 843654160061 | WEC-82    | TBD            |
| KT-FLED100PS-R4A-UNV-8CSB-VDIM-W | 843654160078 | CEF-57    | TBD            |

### CATALOG NUMBER BREAKDOWN

# KT-FLEDXXPS-R4A-UNV-8CSB-VDIM-X

1 2 3 4 5 6 7 8 9 10 11 12 13

**1** Keystone Technologies

**2** LED Floodlight Fixture

**3** Max Wattage

**4** Power Select

**5** Rectangular Shape

**6** Style

**7** Distribution

**8** Mounting

**9** 80 CRI

**10** Color Select

**11** Color Select Designation

**12** 0-10V Dimming

**13** Housing Color

**6** Style

4 Series 4

**7** Distribution

A Wide (7H x 7V)

**8** Mounting

UNV Universal

**11** Color Select Designation

B 3000/4000/5000K

**13** Housing Color

Bronze

-W White