

## WALL PACK LIGHT



### PRODUCT FEATURES:

- ❖ Optical design, greatly improved the light utilization and evenness
- ❖ High efficiency LED Driver, voltage AC120-277 ;
- ❖ Cast Aluminum design, better cooling, light quality, LED Tj < 85°C.
- ❖ Photocell Control (Optional)

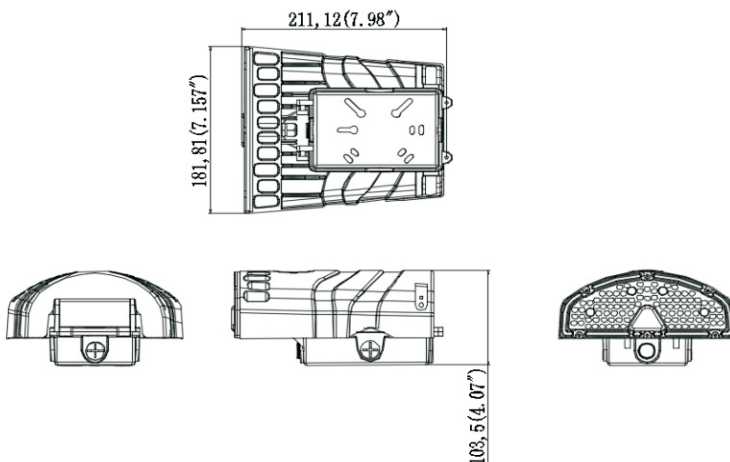
### Additional Information:

- Power: 70W
- Input: AC 120-277V
- Light Source: LUMILEDS
- Driver: NOVBO POWER



### PRODUCT APPLICATIONS:

The WALL PACK LED Lighting Series can be widely used for Indoor or Outdoor (Wet Location) Excellent for Museums, Art Galleries, Shopping Malls, Office Buildings, Walls and many other applications



### Structure Features:

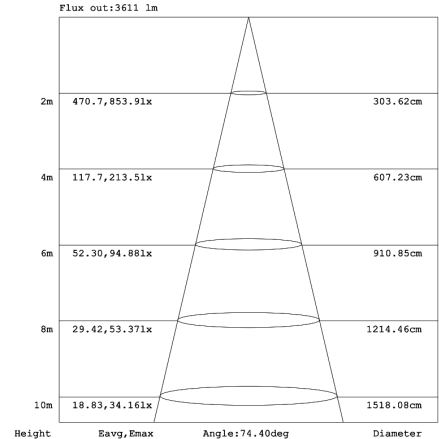
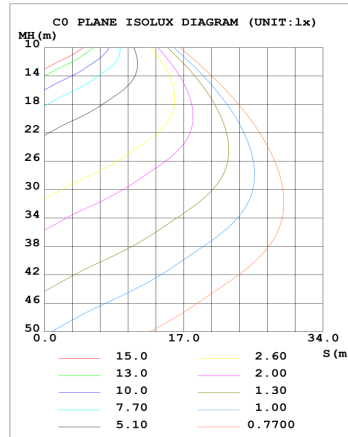
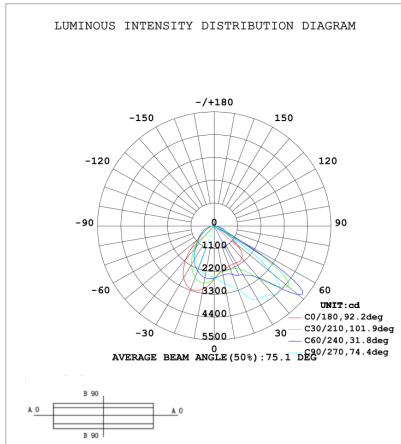
- Shell Materials: Aluminum & PC
- Finish: Dark Bronze/White
- Net Weight: 1.5KG (3.3 LBS)
- **Product Size: 211mm\*181mm\*103mm**
- **Carton Size: 525mm\*390mm\*370mm**

## WALL PACK LIGHT

### TECHNICAL PARAMETERS:

Type	WSD-70WAWP27-XXK-Z		
Power	70W	Lighting Angle	74*92°
Input Voltage	AC120-277V	LED Brightness Decay	<5%/6000 hrs
PF	>0.99	Working Life	>75000 hrs
Driver Efficiency	>90%	Working Temperature	-30 - +45°C
Luminous Flux	9841 Lm	Storage Temperature	-40 -+80°C
Color Temperature	4000K/5000K	Protection Level	Wet Location
CRI	Ra>70	Cable	Input Connect, No Cable

### PHOTOMETRY:



### ORDERING EXAMPLE: WSD-70WAWP27-XXK-Z-P

WSD	70W	AWP	27	XXK	Z	P
Company	Power	Product	Voltage	ColorTemp	FINISH	Control
WSD LED INC	45W (45W) 70W (70W)	AWP Wall Pack	27 AC120-277V	40K (4000K) 50K (5000K) ± 500K	D Dark Bronze W White	P Photocell