

PROJECT NAME: \_\_\_\_\_  
 NOTES: \_\_\_\_\_

CAT. #: \_\_\_\_\_  
 FIXTURE SCHEDULE: \_\_\_\_\_

# WallMax Open Face Wall Packs WPOP Series



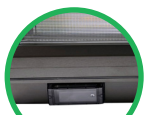
Fixture with Wire Guard



Fixture with Visor



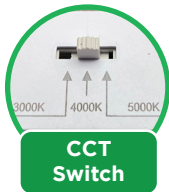
Fixture with Wire Guard & Visor



Sensor Window



Cover included



CCT Switch



Wattage Switch

### Product Description:

The new generation of WallMax Open Face LED Wall Packs provides flexibility for distributors and contractors with field-selectable CCTs, wattages (55W and 120W models) and field-installable controls. The housing has been enlarged to cover HID fixture footprints and accommodate battery backup in all sizes. The Wall Packs feature a controls-ready receptacle compatible with c-Max controls. The simple plug-and-play sensor receptacle enables c-Max control nodes to be added at the time of installation, or in the future, as well as allowing for future control upgrades without changing the fixture. The receptacle is located at the bottom of the fixture and looks through a window, which minimizes the impact on the fixture aesthetics. A cover is included to hide the window when controls are not used.

### Features:

- CCT selectable between 3000K, 4000K or 5000K
- Controls Ready - simple plug and play Sensor Receptacle/Socket enables installation of c-Max control nodes without changing the fixture
- Sealed housing - control nodes are mounted internally without impacting the fixture sealing or aesthetics
- High Voltage Option: 277-480V
- Battery Backup Options - 0°C and -20°C
- Avi-On Network Controls Option available
- CRI: ≥80

### Construction:

- Rugged die cast housing with corrosion resistant polyester powder paint finish
- Impact resistant borosilicate glass
- Covers old HID footprints (14" and 18")
- 4 x 1/2" conduit holes, one on each side for surface conduit applications



Check out our product video at:  
<https://www.youtube.com/watch?v=G56j61b5PSM>

### MaxLite Makes It!

Don't see what you need? Additional wattages and specifications available upon request - contact your MaxLite rep!

## Ordering Structure

| FAMILY                            | WATTAGE (NOMINAL)                                     | VOLTAGE   | - | CCT  | COLOR  | CONTROLS OPTIONS                                       | EM OPTIONS  |
|-----------------------------------|---|---|---|--|--|--|---|
| WPOP= WallMax Open Face Wall Pack | 28= 28W<br>40= 40W<br>55= 55W<br>80= 80W<br>120= 120W | U= Universal 120-277V<br>H= High Voltage 277-480V | - | CS= 3/4/5K<br>WCS'= 3/4/5K, Wattage Selectable | B= Dark Bronze<br><i>Contact MaxLite for additional finishes</i> | AV= Avi-On Network Controls<br>CR= Controls Ready Port | BLANK= None<br>EM0= Battery Backup 0°C<br>EM2= Battery Backup -20°C |

### Ordering Notes:

1. Available in 55W (28/40/55) and 120W (80/100/120)

## Stocked Items

| STOCKED ITEMS  | ORDER CODE | DLC ID # | STOCKED ITEMS   | ORDER CODE | DLC ID # |
|----------------|------------|----------|-----------------|------------|----------|
| WPOP28U-CSBCR  | 104898     | PLBJPNHX | WPOP80U-CSBCR   | 104901     | PGJ4N743 |
| WPOP40U-CSBCR  | 104899     | PET2F3DX | WPOP120U-CSBCR  | 104902     | PO7X4VS2 |
| WPOP55U-CSBCR  | 104900     | P4LZGCHW | WPOP120U-WCSBCR | 105519     | PH19YKZV |
| WPOP55U-WCSBCR | 105518     | PRFGPVAN |                 |            |          |

## Control Ready Rectangle Node Installation Video:



<https://www.youtube.com/watch?v=oPkLDP65mr8&feature=youtu.be>



**10-year standard warranty with labor allowance\*** (further details available at [www.maxlite.com/warranties](http://www.maxlite.com/warranties))

\*Warranty Limitations: Product must be rated for the application per the Product Data Sheet (PDS); operated ≤16 hrs/day; in ambient of -29°F to 104°F. \*Up to \$25/unit; labor allowances of up to \$500/unit available for purchase – contact MaxLite representative for details.

# WallMax Open Face Wall Packs

WPOP Series

## Specifications

|                     | WPOP28  | WPOP40  | WPOP55  | WPOP80  | WPOP120  |
|---------------------|---|---------|---------|---------|----------|
| Nominal Wattage (W) | 28  | 40      | 55      | 80      | 120      |
| Output (lm)         | ≥ 3,300   | ≥ 4,700 | ≥ 6,400 | ≥ 9,600 | ≥ 14,000 |
| Efficacy (lm/W)     | min 120   | min 120 | min 120 | min 120 | min 120  |
| CCT                 | Selectable between 3000K, 4000K or 5000K                  |         |         |         |          |
| CRI                 | >80   |         |         |         |          |
| Dimming             | 0-10V and High-end trim                                   |         |         |         |          |
| Power Factor        | >0.90   |         |         |         |          |
| Input Voltage       | 120-277V, 277-480V option                                 |         |         |         |          |
| Surge Protection    | 6kV integral to the driver, 20kA available as an option   |         |         |         |          |
| Housing             | Die Cast Aluminum with polyester powder coat paint finish |         |         |         |          |
| Lens                | Borosilicate Glass  |         |         |         |          |
| Listings            | DLC Premium, cULus, FCC                                   |         |         |         |          |
| Environment         | Wet locations and IP65                                    |         |         |         |          |
| Warranty            | 10-year standard warranty*                                |         |         |         |          |

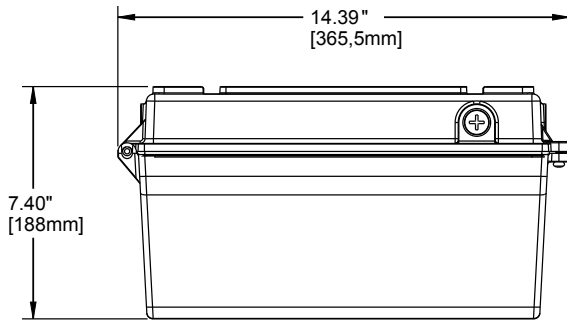
## Accessories

| MODEL #       | ORDER CODE | DESCRIPTION  | IMAGE |
|---------------|------------|--|-------|
| WPOP-SVISOR-B | 106160     | VISOR SMALL HOUSING (28-55W), BRONZE   |       |
| WPOP-LVISOR-B | 106161     | VISOR LARGE HOUSING (80-120W), BRONZE  |       |
| WPOP-SWG      | 106162     | WIRE GUARD SMALL HOUSING 28-55W  |       |
| WPOP-LWG      | 106163     | WIRE GUARD LARGE HOUSING 80-120W   |       |
| CN-RTPCT      | 105568     | C-MAX PHOTOCELL NODE RECTANGULAR   |       |
| CN-RTMST      | 105564     | C-MAX RECTANGULAR MOTION SENSOR/PC, REQUIRES REMOTE CONTROL TO PROGRAM           |       |
| CN-REMOTE     | 105567     | C-MAX REMOTE CONTROL, AT LEAST ONE REQUIRED PER PROJECT TO PROGRAM MOTION SENSOR |       |

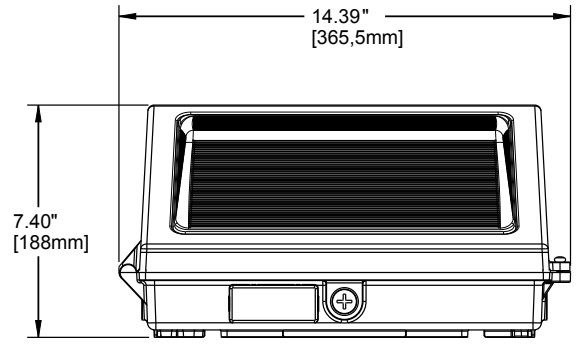
## WallMax Open Face Wall Packs WPOP Series

### Dimensions

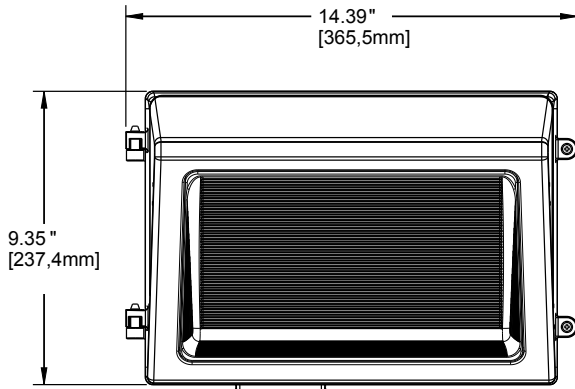
28-55W



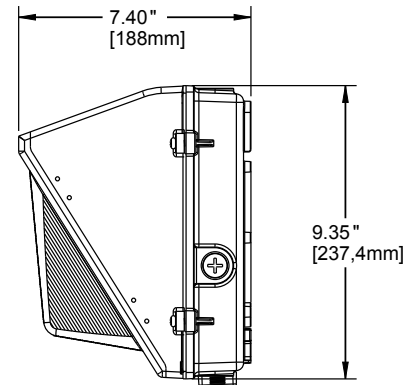
Top View



Bottom View



Front View

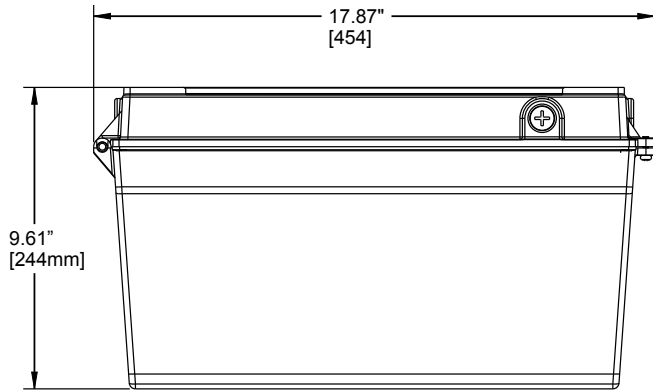


Side View

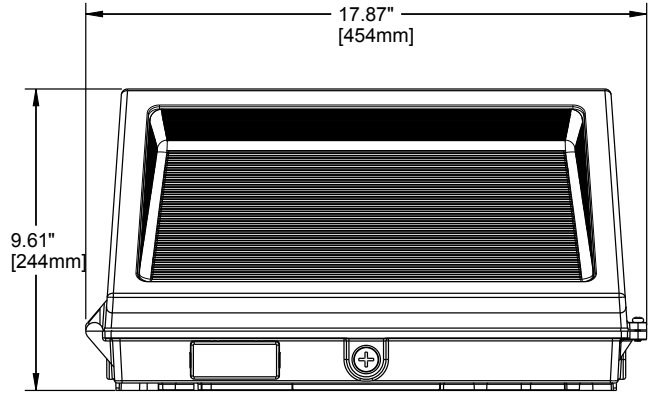
## WallMax Open Face Wall Packs WPOP Series

### Dimensions

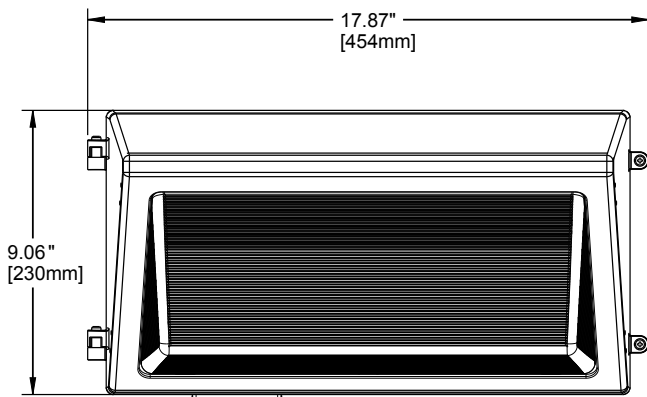
#### 80-120W



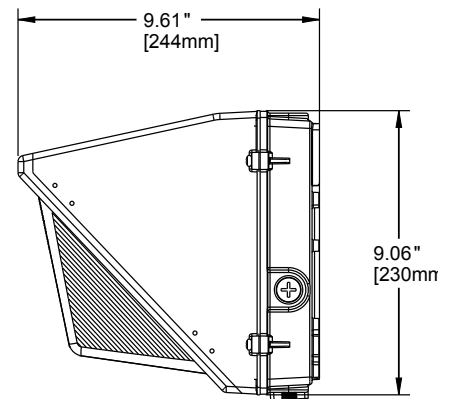
Top View



Bottom View



Front View



Side View

# WallMax Open Face Wall Packs

WPOP Series

### ISOFOOTCANDLE:

Each gridline represents one mounting height.  
 For mounting heights other than noted multiply FC by the below factor.

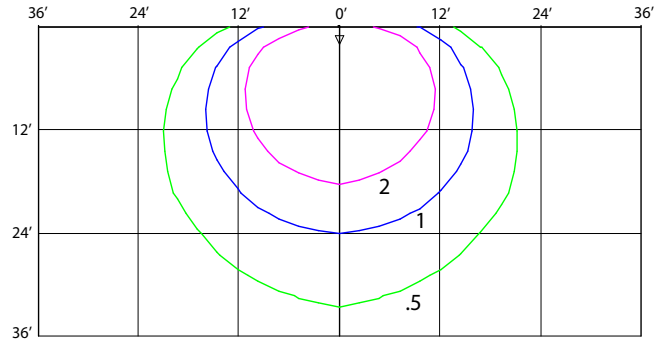
$$\text{Factor} = \frac{(\text{Chart's Mtg Height})^2}{(\text{Actual Mtg Height})^2}$$

### LEGEND

- 0.5 fc
- 1 fc
- 2 fc

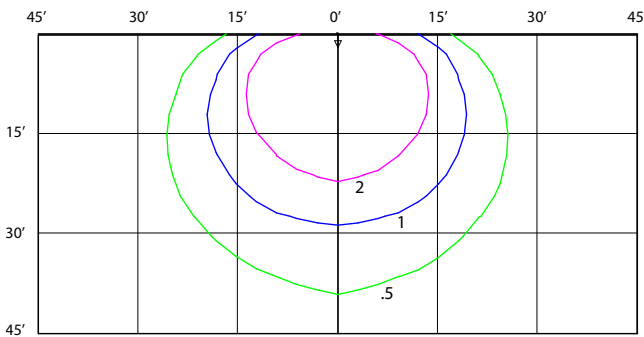
Layouts based on 3000K. Results are 3-5% more for 4000/5000K. Consult IES file for more precise calculations.

### WPOP28



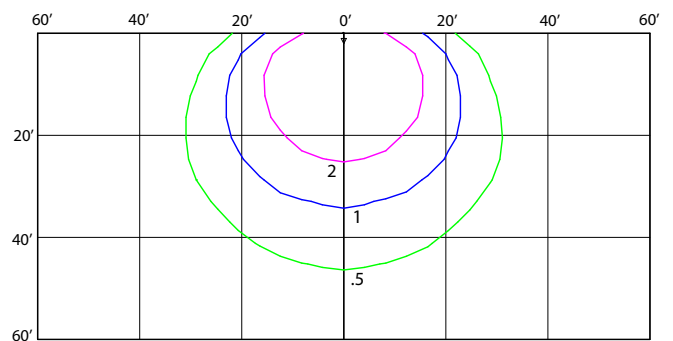
28W  
12' MOUNTING HEIGHT

### WPOP40



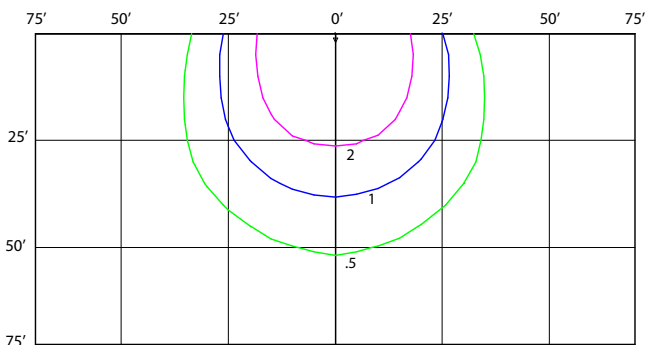
40W  
15' MOUNTING HEIGHT

### WPOP55



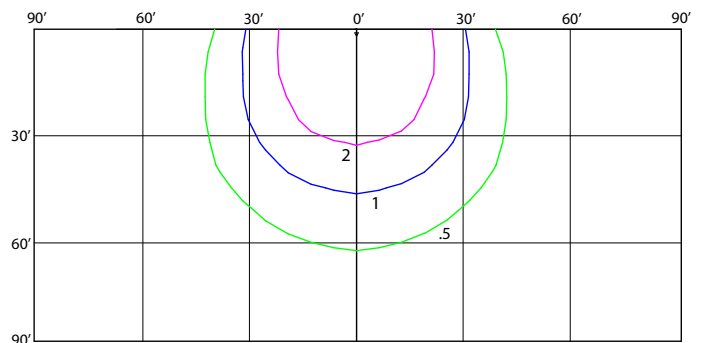
55W  
20' MOUNTING HEIGHT

### WPOP80



80W  
25' MOUNTING HEIGHT

### WPOP120



120W  
30' MOUNTING HEIGHT