



TEMPO Solar Light Tower

APPLICATIONS

The TEMPO mobile solar light tower is the ideal solution for temporary outdoor solar lighting. When combined with the SUNLIKE 20W/30W or SUNLIKE PRO 30W, the TEMPO light tower can be easily transported from location to location, without trenching, cabling, electricity, nor diesel fuel costs.

DESCRIPTION

Outdoor solar lighting systems use solar cells which convert sunlight into electricity. Electricity is stored in batteries for use at night. TEMPO Mobile Solar Light Tower combined with SUNLIKE solar lights are easy to install and virtually maintenance free. Using them avoids trenching, cabling, and electricity costs.

CATALOG		COMMENTS
PROJECT		
PREPARED BY		
DATE		

LIGHTING FIXTURE OPTIONS

- SUNLIKE PRO 30W 6,000 lumen
 - SUNLIKE 20W 4,000 lumen
 - SUNLIKE 30W 6,000 lumen
- (SOLAR FIXTURE NOT INCLUDED)



ORDERING INFORMATION

TOWER	FIXTURE					
	SERIES	WATTAGE	OPTIC TYPE	COLOR TEMPERATURE	MOUNTING OPTIONS	FINISH
STLTWR02M=TEMPO Solar Mobile Tower	STLSTC =SUNLIKE STLSTCPRO =SUNLIKE PRO	20 =20W 4000 Lumens <i>(only for SUNLIKE)</i> 30 =30W 6000 Lumens	T2 =TYPE II <i>(only for SUNLIKE 30W SUNLIKE PRO 30W)</i> T3 =TYPE III T4 =TYPE IV <i>(only for SUNLIKE 30W SUNLIKE PRO 30W)</i>	3 =3000K 4 =4000K 5 =5000K 6 =5700K	SF =Slip Fitter	GY =Gray

- - - - - -

SPECIFICATION FEATURES



- Flexible Light Distribution Range**
- Collapsed height of 7 ft (2m)
 - Maximum of 13 ft tall, providing a range of light distributions



- Greater Cost Savings**
- Eliminates trenching, cabling, electricity, and diesel fuel costs.



- Heavy Duty Construction**
- Steel mast, 3 sections, 13 ft maximum
 - Manual winch for up to 1500 lbs



- Easy To Install and Transport**
- Forklift pockets, base 40 in x 40 in (standard pallet-size)
 - 4 manual stabilizer legs



- Clean, Quiet & Environmental Friendly**
- No toxic generator exhaust
 - Quiet and produce no fumes
 - Ideal alternative to diesel or gas generator-powered light tower



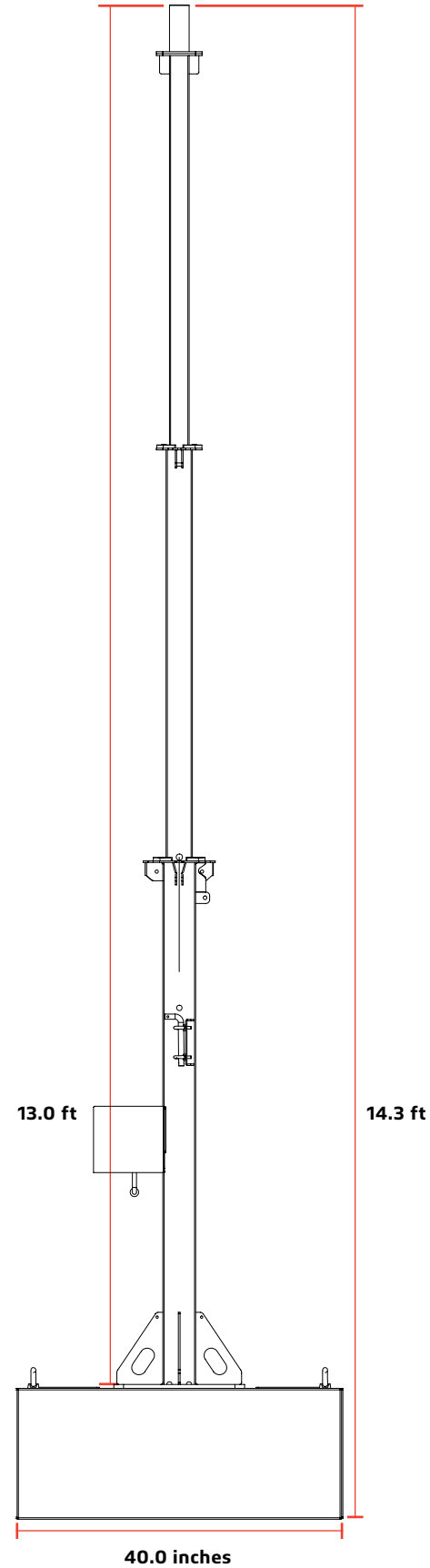
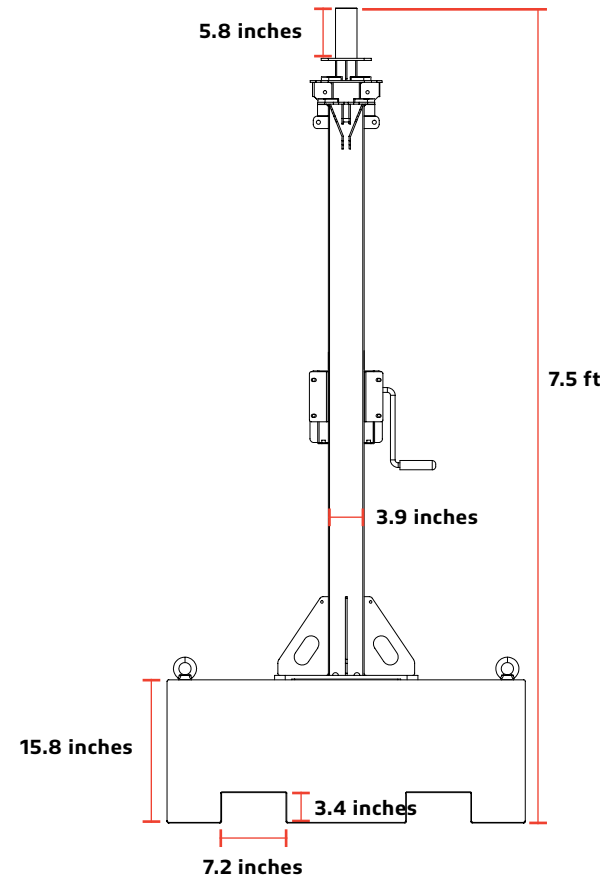
- High Quality Construction**
- Powder-coated base, painted high-visibility orange
 - SUNLIKE mounting hardware included
 - Provides a wider illumination area at 13ft max height (including fixture)



TEMPO Solar Light Tower

PRODUCT SIZE

CATALOG		COMMENTS
PROJECT		
PREPARED BY		
DATE		



TEMPO Solar Light Tower

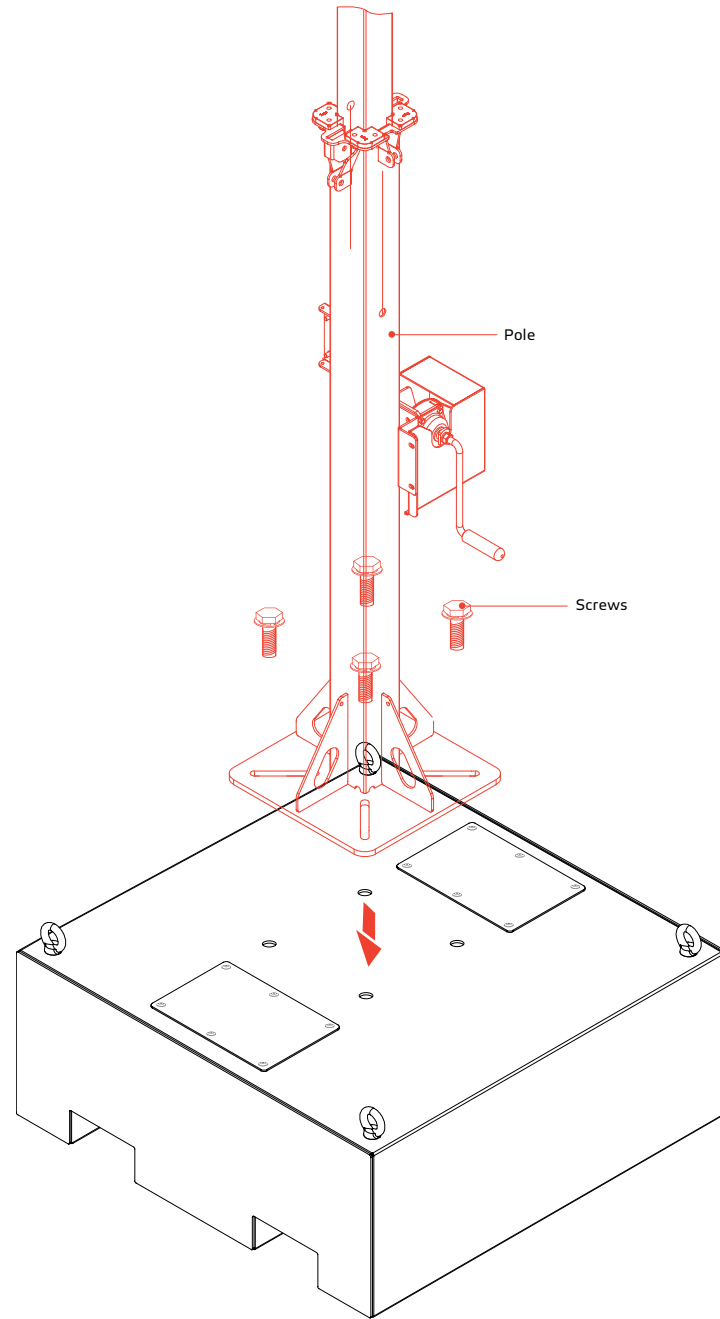
CATALOG		COMMENTS
PROJECT		
PREPARED BY		
DATE		

SPECIFICATIONS

Specifications	TEMPO
Max Height	14.3 ft (Without Luminaire)
Collapsed Height	7.5 ft (Without Luminaire)
Mast Material	Steel
Mast Profile	Square
Mast Sections	3
Operation	Manual Winch 1500 Lbs
Mast Max Load	110 Lbs
Max Wind Speed	90 mph
Warning Strips	Included
Lift Limit Stopper	Included
Lifting Eyes	X4
Fork Pockets	Included
Wheel	N/A
Mast Flange	Removable
Weight	770 Lbs (Without Sand Ballasting and Luminaire)
Dimensions	40.0 inches X 40.0 inches X 90.0 inches (Collapsed Without Luminaire)

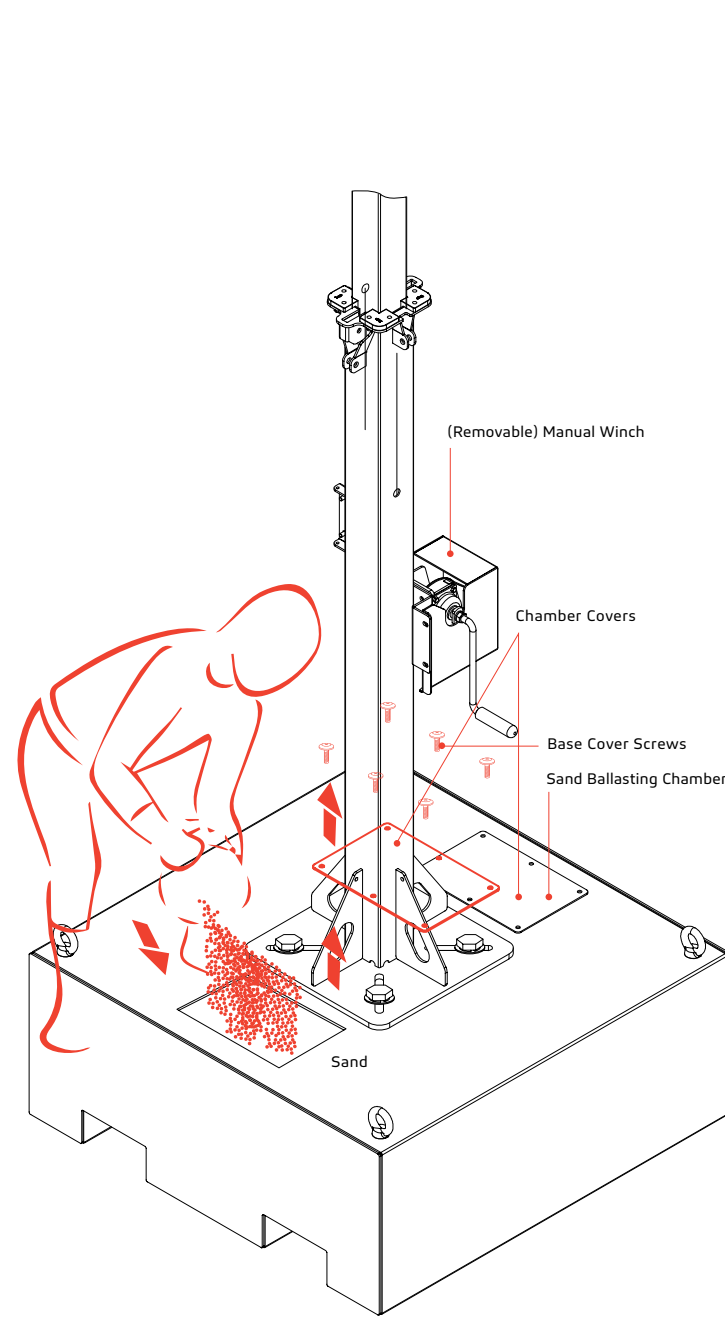
CATALOG	PROJECT	COMMENTS
PREPARED BY		
DATE		

01. Install The Pole



Install the pole on the base with pole screws.

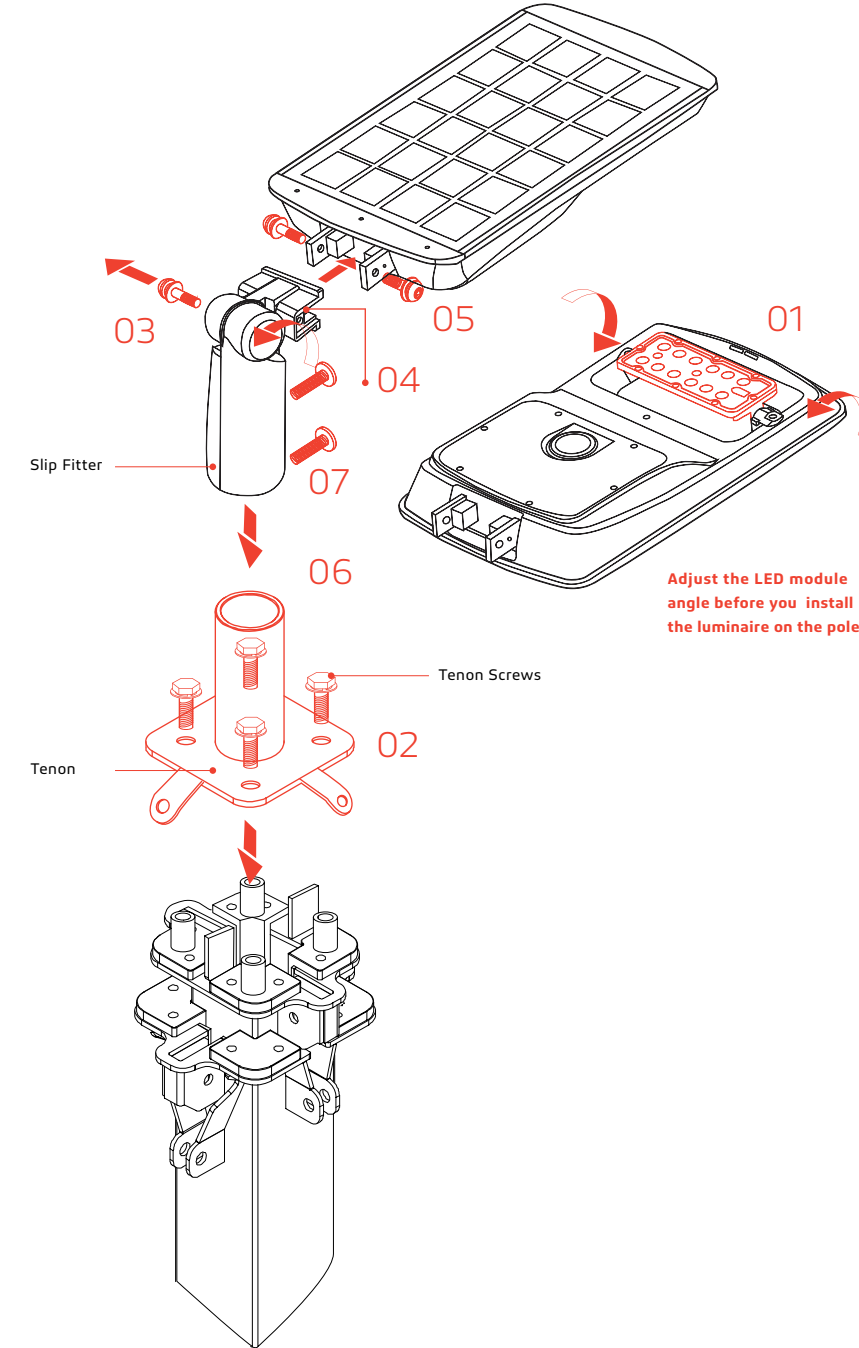
02. Sand Ballasting



Open the Chamber covers on both sides and put sand in.

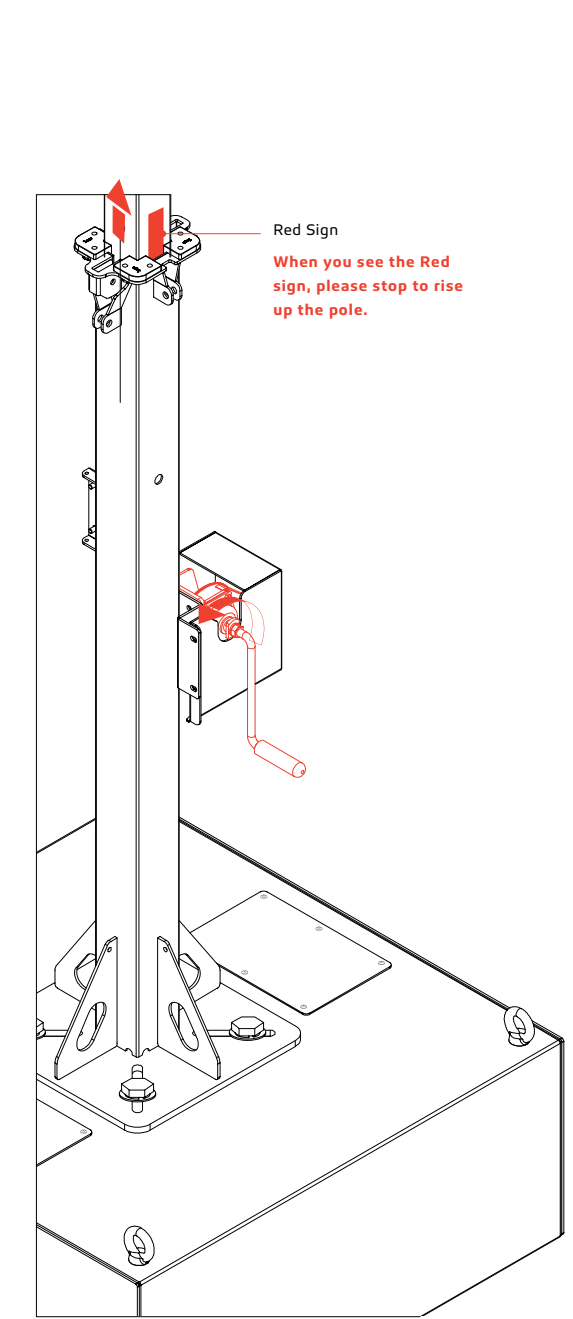
CATALOG	PROJECT	COMMENTS
PREPARED BY		
DATE		

03. Install Tenon and Luminaire



Install Tenon and Luminaire on the top of the pole.

04. Adjust The Pole Height



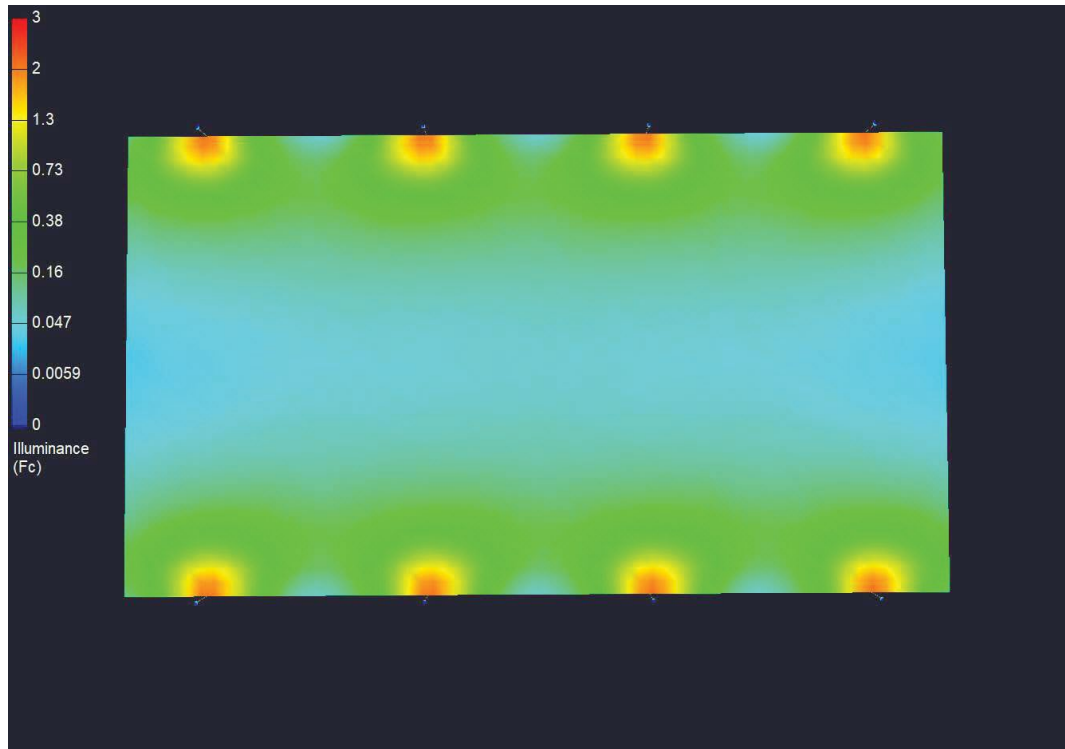
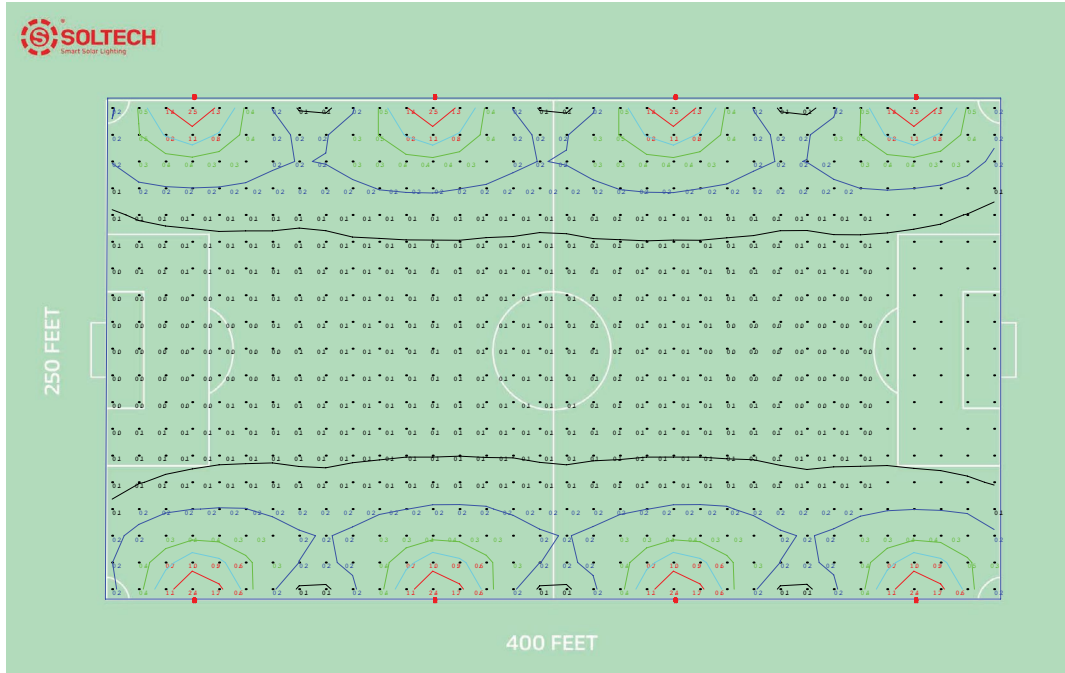
Rotate the handle to adjust the height of the pole.



TEMPO Solar Light Tower

CATALOG	PROJECT	COMMENTS

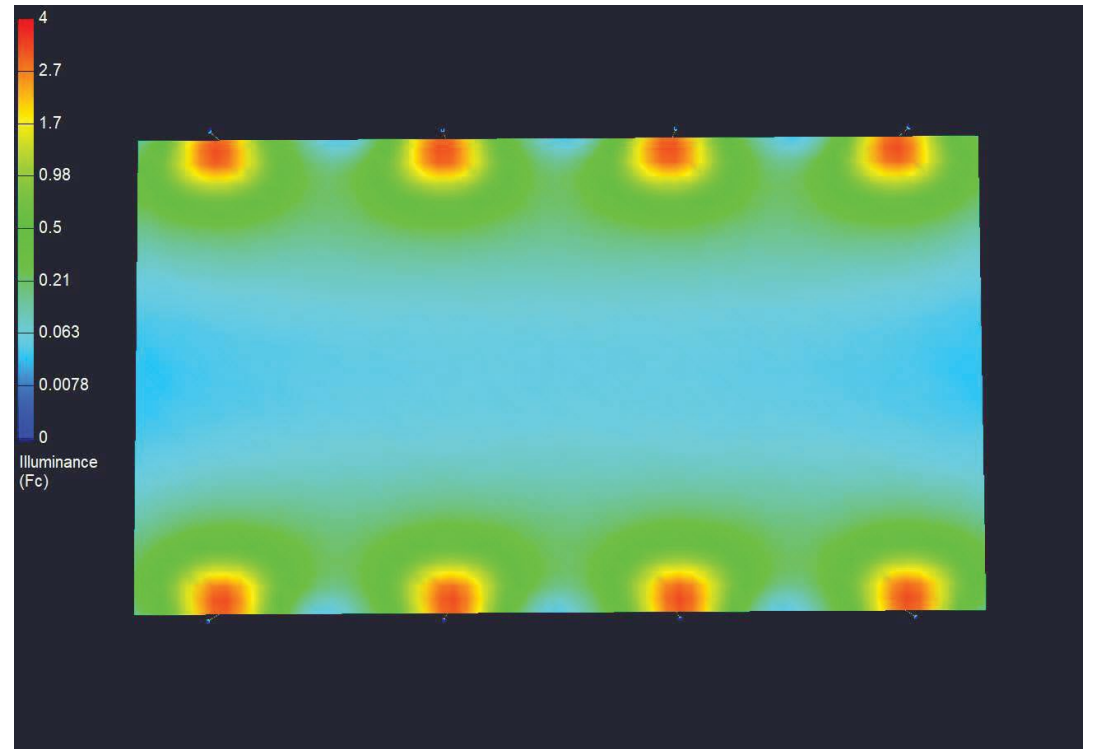
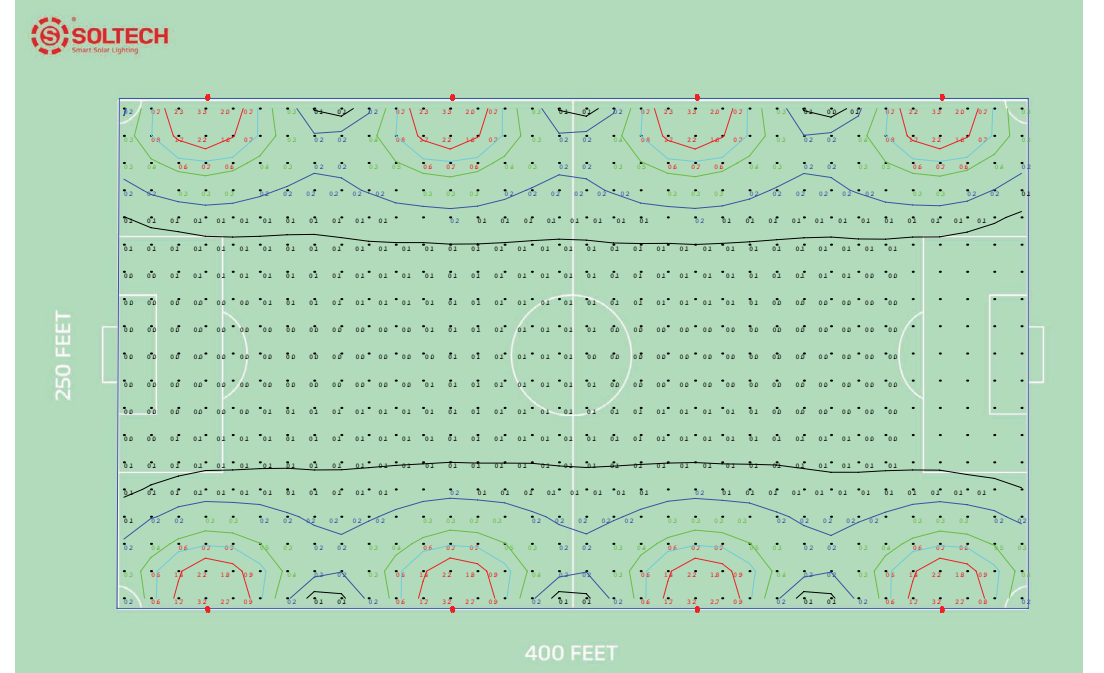
TEMPO With SUNLIKE 20W
(Eight light towers on a regular soccer field)
Lights: One 20W fixtures per tower
Light height: 13ft
Lighting Area: 400 X 250 ft
Luminosity: 0.24 fc average across entire area



TEMPO Solar Light Tower

CATALOG	PROJECT	COMMENTS

TEMPO With SUNLIKE 30W
(Eight light towers on a regular soccer field)
Lights: One 30W fixtures per tower
Light height: 13ft
Lighting Area: 400 X 250 ft
Luminosity: 0.33 fc average across entire area





TEMPO Solar Light Tower

CATALOG		COMMENTS
PROJECT		
PREPARED BY		
DATE		

WARRANTY

TEMPO Solar Mobile Tower products are covered by a 5 year limited warranty. SOLTECH warrants to the original purchaser that this product is free from defects in materials and workmanship for the period of 5 years from date of purchase. To obtain warranty service please contact your local distributor or sales rep for further instruction.



1460 Park Avenue.
Emeryville, CA 94608 USA

www.soltechlighting.com

SOLTECH LLC reserves the right to update all product data sheets at any time. Consult SOLTECH marketing specialists for publication updates at hello@soltechlighting.com

Copyright©2022-2023 SOLTECH LLC,
All Rights Reserved.