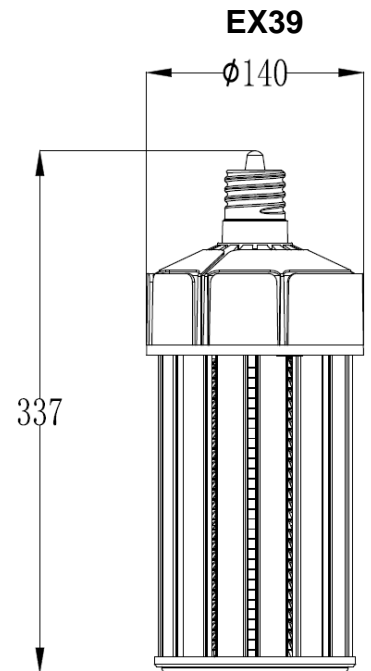
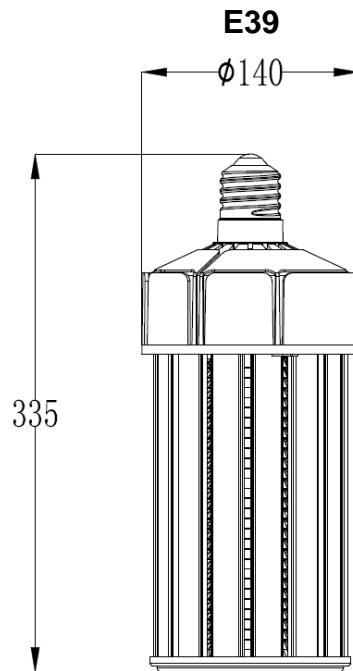


# TECHNICAL DATA SHEET



NAME: LED Corn Light

P/N: CLW03-200WXY1Z-aaK

- Note: 1. The Letter X in P/N stands for LED manufacturer, could be any alphabet.  
2. The Letter Y in P/N stands for Cover type, "C" for Clear cover, "F" for Frosted cover.  
3. The Letter Z in P/N stands for Lamp base type, "-E" for E39 lamp base, "-EX" for EX39 lamp base.  
4. The Letter "aa" in P/N stands for CCT, can be 27, 30, 35, 40, 45, 50, 57, 65.

## Advantage:

- UL cUL certificate
- E39, EX39 lamp base. 360 degree lighting.
- Can be with clear or frosted cover.
- IP64 Waterproof Rating. light fin heat sink, with SONUN fan.
- Internal driver, input voltage AC100-277V.
- Meet 4kV surge immunity level.
- Sealant pouring for half driver.
- Long lifespan and good heat dissipation.
- Direct replacement for Metal Halide, easy installation.
- Fits many different fixtures to replace traditional lamps.



## Application:

- ◆ Widely used in supermarket, warehouse, garage, home, office, hotel, hospital, school, street, garden etc.

# TECHNICAL DATA SHEET

## Product Specifications

Product name	LED Corn Light	
Part No	CLW03-200WXYA1E-aaK	CLW03-200WXYA1EXaaK
Lamp Base	E39	EX39
Dimension	Φ140*335MM	Φ140*337 MM

## Technical Characteristic

Color temperature	2700-6500K	
CRI	>80	
Cover	Clear	Frosted
Lumen	26000-28000 LM	23000-25000 LM
Lumen Efficacy	130-140 LM/W	115-125 LM/W
Input Power	200 W	
Viewing Angle	360 degree	
Input Voltage	AC100-277V 50/60Hz	
PF	>0.9	
Equivalent	600W MHL/HPS/HID	
Waterproof Rating	IP64	

## Materials

LED Type	SMD2835
LED QTY	608 PCS
Housing	PC + AL
Housing color	White + Grey

## Others

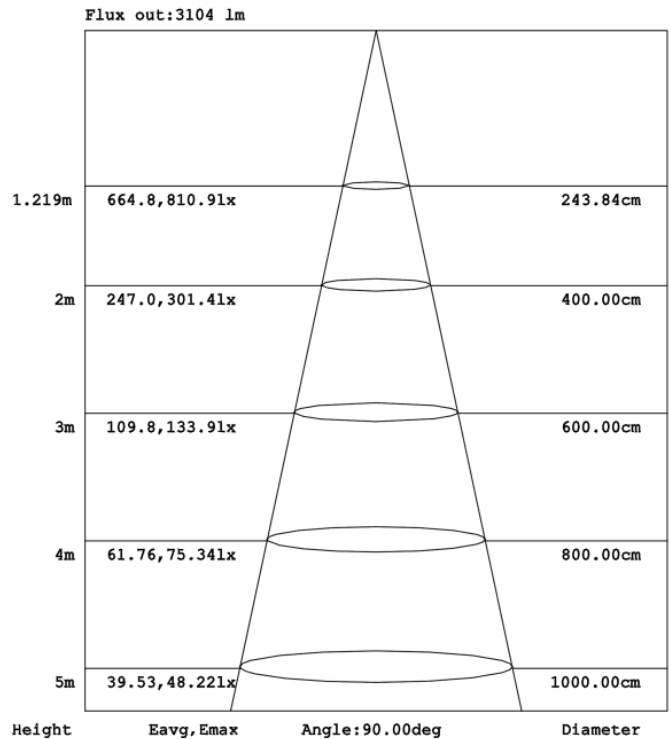
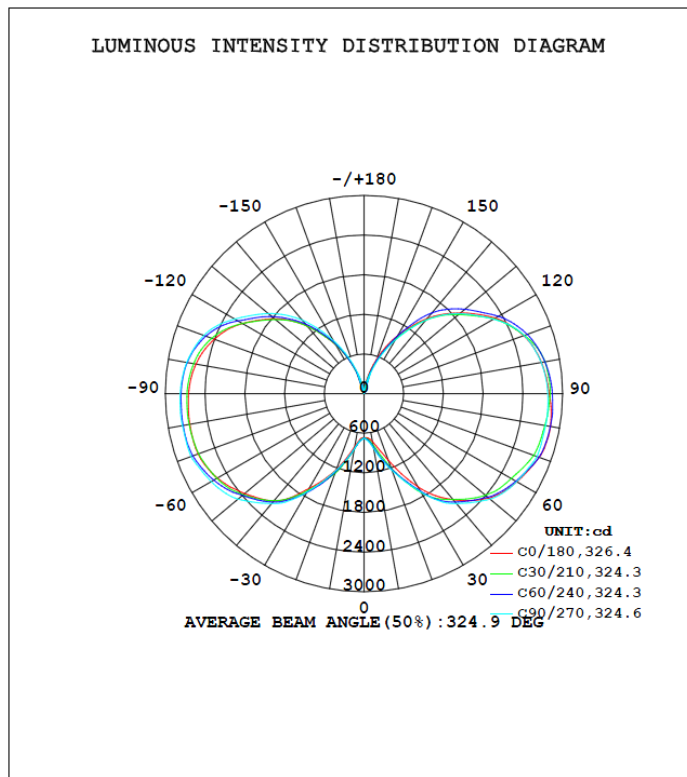
Operating Temperature	-20℃ TO 45℃
Operating Humidity	20%-70% RH
Storage Temperature	-30℃ TO 80℃
Storage Humidity	10%-75% RH
Application	Indoor / Outdoor
Safety Certification	UL cUL
Warranty Time	5 Years

# TECHNICAL DATA SHEET

## Light Distribution Testing Parameters

Remark: The testing data comes directly from the product test.

DATA OF LAMP		PHOTOMETRIC DATA			
MODEL		Imax (cd)	2894	S/MH (C0/180)	3.27
NOMINAL POWER (W)	200	LOR (%)	100.0	S/MH (C90/270)	3.30
RATED VOLTAGE (V)	120	TOTAL FLUX (lm)	27389	$\eta$ UP, DN (C0-180)	22.8, 27.3
NOMINAL FLUX (lm)	27389.3	CIE CLASS	DIFFUSE	$\eta$ UP, DN (C180-360)	22.6, 27.3
LAMPS INSIDE	1	$\eta$ up (%)	45.4	CIBSE SHR NOM	2.00
TEST VOLTAGE (V)	120	$\eta$ down (%)	54.6	CIBSE SHR MAX	0.00

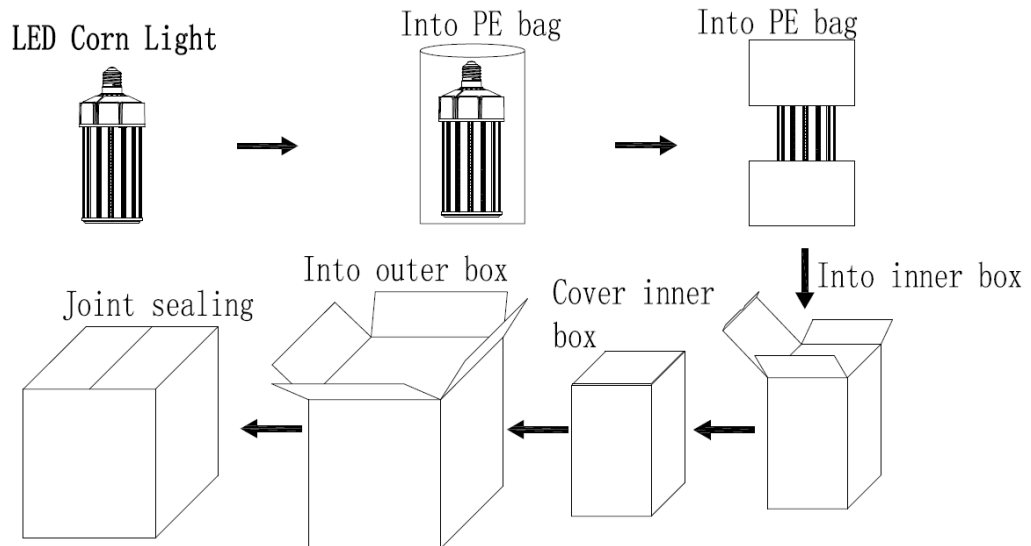


Note: The Curves indicate the illuminated area and the average illumination when the luminaire is at different distance.

# TECHNICAL DATA SHEET

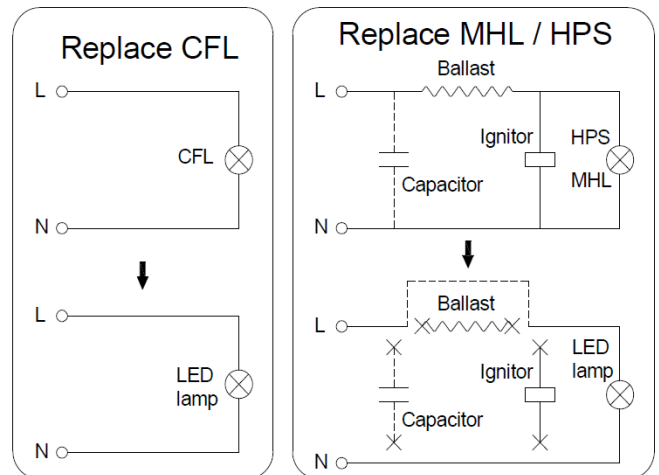
## Package

	Size	Qty / Carton	Net Weight / Carton	Gross Weight / Carton
<b>Inner box</b>	375*165*165 MM	1 PC	1.58 KG	1.82 KG
<b>Outer box</b>	510*345*395 MM	6 PCS	9.5 KG	11.9 KG



## Notice For User

- ◆ Please turn off power before install or change assembly parts.
- ◆ The input voltage and lamps should be matched, after connecting the power line, please make sure the wiring section is insulated.
- ◆ Make sure to remove or bypass the ballast in the fixtures before install the lamps.
- ◆ Suitable for damp locations. Do not use with dimmers.
- ◆ This product does not apply to enclosed lamps.
- ◆ No-professionals, must not install and disassemble the lamps.



## Trouble Shootings

Troubles	Check points
Flickering of the light	Turn off the power and turn on again in 3 minutes. If same phenomena occur, then call agencies.
Out of working	Please check the connection.