



CATALOG#: _____
PROJECT: _____
TYPE: _____

Series SKD/ SKDWB

Low Profile LED Strip

Full body micro silhouette makes a bold statement with a minimal design in brushed nickel powder coated finish (consult factory for other finishes). Scaled to the LED module the matte white diffuser surrounds the LEDs for soft lighting. Brushed nickel fixture can be surface mounted on wall or ceiling or pendant mounted with specially engineering cable mounting kit.

CONSTRUCTION

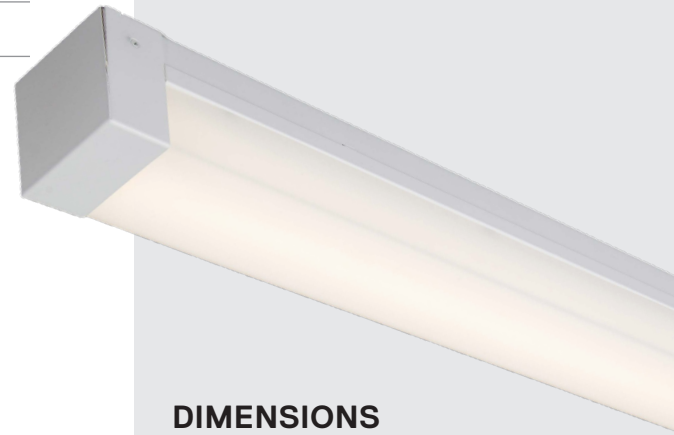
Housing is die-formed and embossed code 22 gauge steel. Finish is high reflectance baked white enamel. Wiring knockouts are provided on back and end of housing. No knock-outs on sides or ends

MOUNTING

Surface mount, pendant mount, horizontal or vertical.

TYPICAL OPTIONS & ACCESSORIES

Whips, wire guards, external emergency battery backup (IOTA ILB-CP10). Contact factory for more details. Sensor options available in the SKDWB 3" wide housing (but not in the 2" housing).



DIMENSIONS

2" Wide Housing (SKD)

24"L x 2"W x 2.65"H
46"L x 2"W x 2.65"H
92"L x 2"W x 2.65"H

3" Wide Housing (SKDWB)

24"L x 3"W x 2.65"H
46"L x 3"W x 2.65"H
92"L x 3"W x 2.65"H

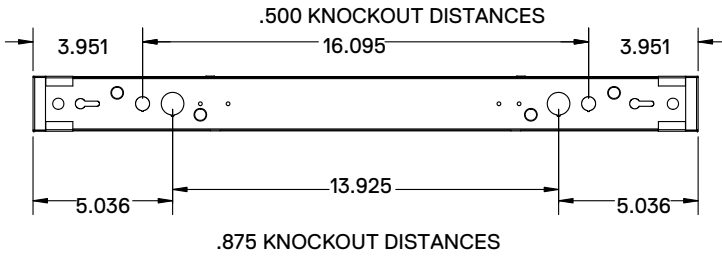
FEATURES & BENEFITS

- Fully assembled housing is formed and welded, 22 gauge steel, chemically treated to resist corrosion and enhance paint adhesion
- Clean body; no knock-outs on sides or ends
- Knock-outs on back accept standard electrical fittings
- Available with smooth frosted lens
- Available in brushed nickel; Consult for other finishes
- Suitable for dry and damp locations
- 50,000 hrs of L70 LED life
- CRI >80
- 0-10 Volt dimmable 120-277V
- Emergency battery backup option for 3" wide body which is internal to the fixture
- Power factor 0.99
- 5 year warranty

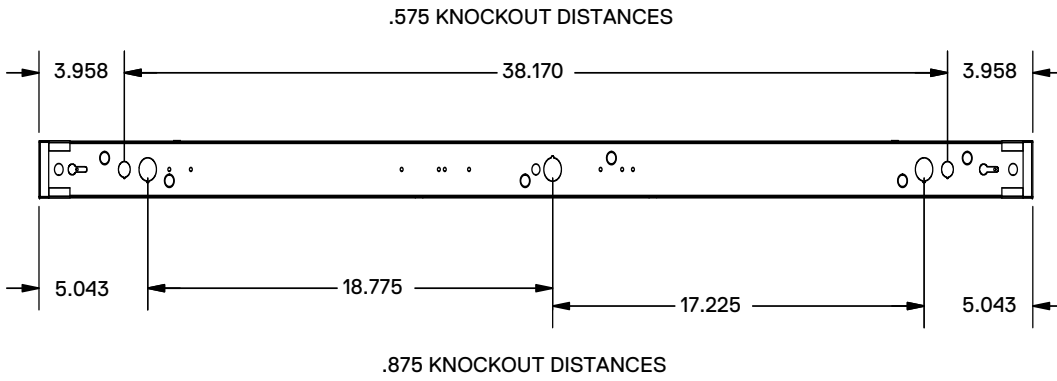


DRAWINGS & IMAGES

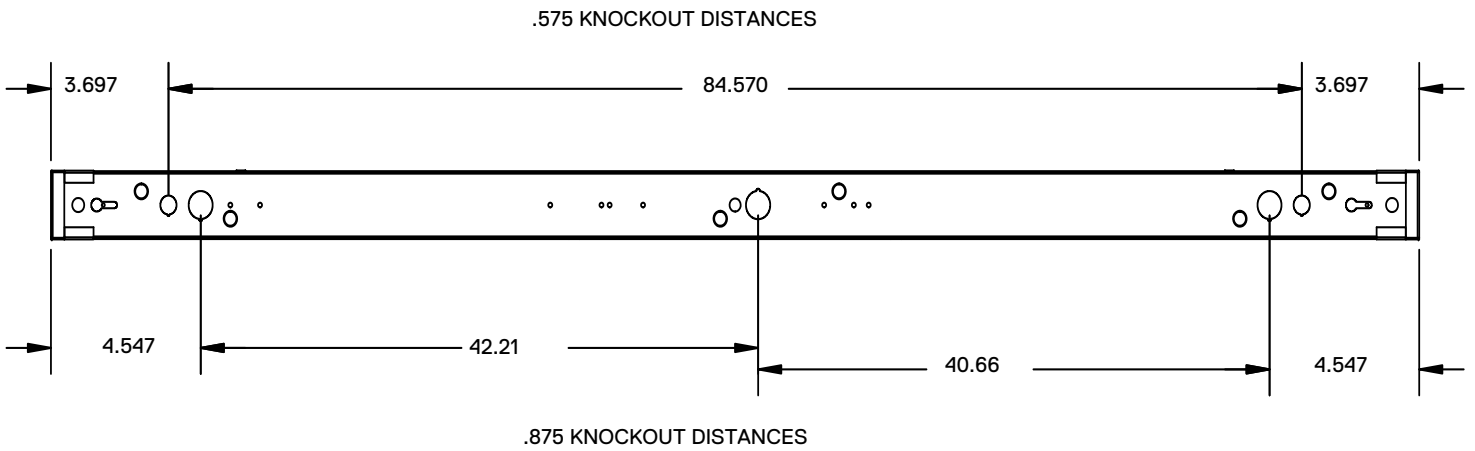
2ft



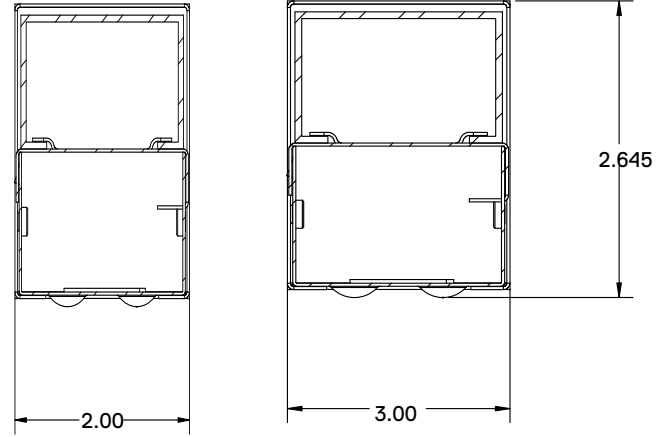
4ft



8ft



End View



2" Wide Body

3" Wide Body



CATALOG#: _____
 PROJECT: _____
 TYPE: _____

Series SKD/ SKDWB

Low Profile LED Strip

PRODUCT NUMBERS

8 Ft

SENSOR	SERIES	LENS MATERIAL	LENGTH	WATTAGE & LUMENS		DRIVER	COLOR	OPTIONS
SD** Daylight Harvesting SM** Microwave Sensor SS** On/Off Sensor SV** Bi Level (xx) Sensor	SKD 2" Wide Housing	FR Frosted	24L 24"	J12W1200L 12 Watts 1200 Lumens	DMV 0-10V dimming DMV(XX) 0-10V Dimming (XX for the percentage of light output when it is not occupied)	30K 3000K 35K 3500K 40K 4000K 50K 5000K	WP 6ft. 3 wire 18 gauge whip WP10 6ft. 4 wire 18 gauge whip EM 10W Emergency battery backup for 3" wide only which is internal to the fixture PI1 3 wire harness PI3 5 wire harness	
				J18W1800L 18 Watts 1800 Lumens				
			48L 48"	J28W2800L 28 Watts 2800 Lumens				
				J35W3400L 35 Watts 3400 Lumens				
			96L 96"	J57W5400L 57 Watts 5400 Lumens				
				J72W7000L 72 Watts 7000 Lumens				
	SKDWB 3" Wide Housing	FR Frosted	24L 24"	J35W3400L 35 Watts 3400 Lumens				
				J40W4000L 40 Watts 4000 Lumens				
			48L 48"	J80W8000L 80 Watts 8000 Lumens				
				Z114W10800L 114 Watts 10800 Lumens				
			96L 96"	_____ * _____ *				
				_____ * _____ *				

Note:
 *Programmable LED drivers allow custom configured wattages and corresponding lumens.
 **Sensor options do not apply in 2" housing. In other words, sensor options only available in the SKDWB 3" wide housing.

We reserve the right to change design, materials, LEDs and finish in any way that will not alter installed appearance or reduce function and performance.