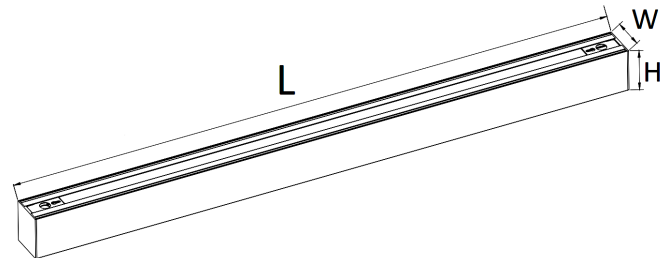




DIMENSIONS:

24"(L) x 2-6/8"(W) x 3-3/8"(H)



- SCX-2FT-20W-30K-D
- SCX-2FT-20W-35K-D
- SCX-2FT-20W-40K-D
- SCX-2FT-20W-50K-D

LED DIRECT (DOWN) LINEAR LIGHT

Linear Lighting can be customized to your desired length, look & color temperature and can either be suspended, surface, mounted or recessed to suit your needs. Ideal for Storage rooms, Offices Conference rooms, Retail Reception areas, Hallways Education facilities, hotel, restaurants.

MODEL	WATTS	VOLTAGE	LUMENS	COLOR TEMP
SCX-2FT-20W-30K-D	20W	120~277VAC	2240LM	3000K
SCX-2FT-20W-35K-D	20W	120~277VAC	2300LM	3500K
SCX-2FT-20W-40K-D	20W	120~277VAC	2360LM	4000K
SCX-2FT-20W-50K-D	20W	120~277VAC	2420LM	5000K

ELECTRICAL SPECIFICATIONS:

- Voltage: 120~277VAC/50~60 Hz
- Wattage: 20W
- Power factor: >0.95
- Efficacy: 115LM/W

LIGHTING SPECIFICATIONS:

- Dimming: 0~10 Dimmable
- Lens: Opal Polycarbonate Lens
- Total lumens: 2240LM/2300LM/2360LM/2420LM
- Color temperature: 3000K/3500K/4000K /5000K
- Color rendering index: >80
- Wide Beam angle

HOUSING SPECIFICATIONS:

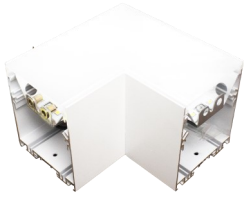
- Low profile design
- aluminum housing with matte white finish
- Surge protector
- Diffuser is snapped into housing
- Shallow depth provides sleek for low-profile appearance
- Driver (Class II/P driver) disconnect provided where required to comply with US codes.
- Make different connection via T/L/X joints on both ends .
- Mounting options: surface, suspended, wall, recessed
- Operating temperature: -13°F ~ 104°F
- IP Rating: IP20

WARRANTY: 5 years

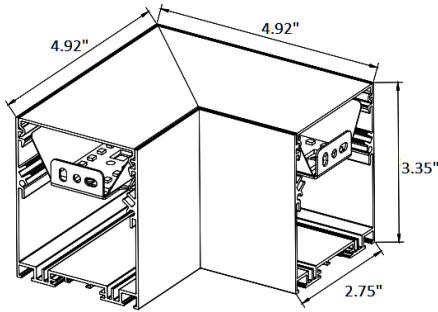
CERTIFICATIONS: UL, DLC



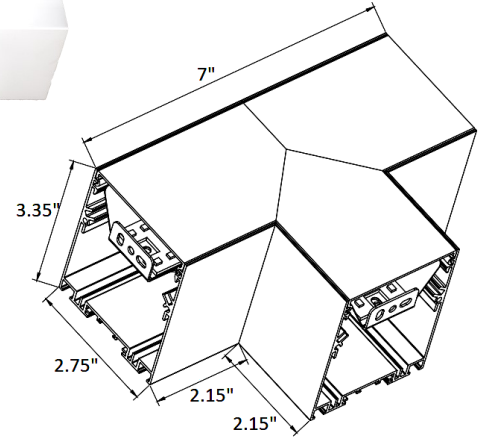
OPTIONAL CORNER FIXTURE MODULES:



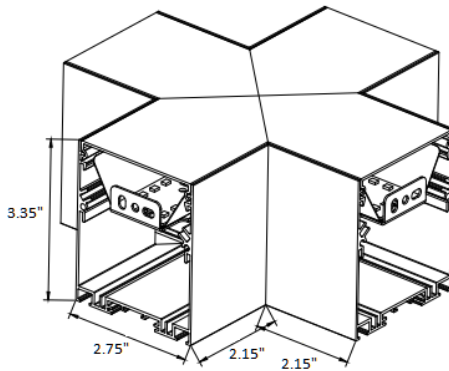
SCX-L-30K
SCX-L-35K
SCX-L-40K
SCX-L-50K



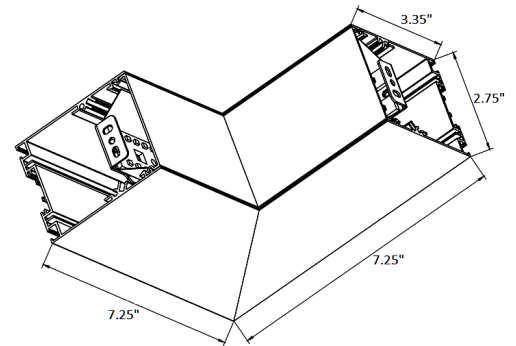
SCX-T-30K
SCX-T-35K
SCX-T-40K
SCX-T-50K



SCX-X-30K
SCX-X-35K
SCX-X-40K
SCX-X-50K



SCX-IC-30K
SCX-IC-35K
SCX-IC-40K
SCX-IC-50K



MODEL	JOINT TYPE	LUMENS	COLOR TEMP	DIMENSION
SCX-L-30K	L	508LM	3000K	4.92" X 4.92" X 3.35" X 2.75"
SCX-L-35K	L	575LM	3500K	4.92" X 4.92" X 3.35" X 2.75"
SCX-L-40K	L	616LM	4000K	4.92" X 4.92" X 3.35" X 2.75"
SCX-L-50K	L	660LM	5000K	4.92" X 4.92" X 3.35" X 2.75"
SCX-T-30K	T	629LM	3000K	7" X 3.35" X 2.75" X 2.15" X 2.15"
SCX-T-35K	T	726LM	3500K	7" X 3.35" X 2.75" X 2.15" X 2.15"
SCX-T-40K	T	787LM	4000K	7" X 3.35" X 2.75" X 2.15" X 2.15"
SCX-T-50K	T	854LM	5000K	7" X 3.35" X 2.75" X 2.15" X 2.15"
SCX-X-30K	X	733LM	3000K	3.35" X 2.75" X 2.15" X 2.15"
SCX-X-35K	X	863LM	3500K	3.35" X 2.75" X 2.15" X 2.15"
SCX-X-40K	X	944LM	4000K	3.35" X 2.75" X 2.15" X 2.15"
SCX-X-50K	X	1037LM	5000K	3.35" X 2.75" X 2.15" X 2.15"
SCX-IC-30K	INSIDE CORNER	629LM	3000K	7.25" X 7.25" X 3.35" X 2.75"
SCX-IC-35K	INSIDE CORNER	726LM	3500K	7.25" X 7.25" X 3.35" X 2.75"
SCX-IC-40K	INSIDE CORNER	787LM	4000K	7.25" X 7.25" X 3.35" X 2.75"
SCX-IC-50K	INSIDE CORNER	854LM	5000K	7.25" X 7.25" X 3.35" X 2.75"





FACTORY-INSTALLED OPTIONAL ACCESSORIES:

LOUVER VERSION



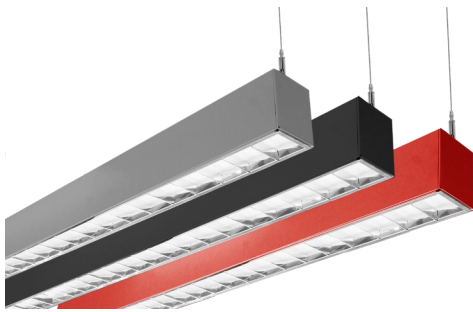
MODEL	DESCRIPTION	SIZE	LUMENS @ 4000K
OPT-SCX-LUV-2FT	Louver include lens inside	2 FT	2160LM

INDIRECT (UP) LIGHTING



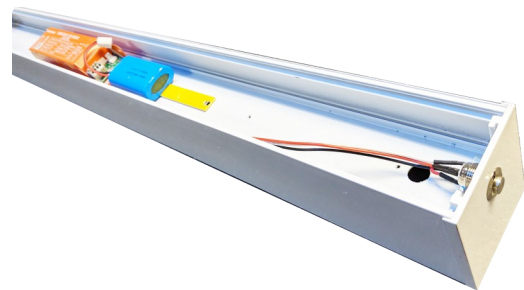
MODEL	WATTS	LUMENS	COLOR TEMP	SIZE
OPT-SCX-ULM-2FT-8W-30K	8W	800LM	3000K	2FT
OPT-SCX-ULM-2FT-8W-35K	8W	824LM	3500K	2FT
OPT-SCX-ULM-2FT-8W-40K	8W	840LM	4000K	2FT
OPT-SCX-ULM-2FT-8W-50K	8W	864LM	5000K	2FT

COLOR OF YOUR CHOICE



MODEL	DESCRIPTION	SIZE
OPT-SCX-CLR-2FT	Add this option and specify your desired color on your purchase order or provide a swatch to match. For painted flanged fixture or optional rod mounting set please also add the relevant option below for each fixture	2 FT

EMERGENCY BATTERY BACKUP



MODEL	DESCRIPTION	SIZE
OPT-EM-CM1INT	Add this option for 90-minute battery backup installation. If ordering a series of this fixture to link call us or specify on your purchase order on which fixture to install the backup and where you would like the test buttons	2 FT

ULTRASONIC BI-LEVEL MOTION SENSOR

MODEL	DESCRIPTION
OPT-SCX-SEN2US	This option installs an advanced motion sensor that will turn the lights on when the area is occupied. When the area is cleared, after a preset hold time of 5 sec or more the lights are dimmed to a standby level of 30% or more. If still no motion is detected, after the standby period, the light are turned off. All setting are programmable with a remote control
OPT-SCX RC	Optional remote control for sensor

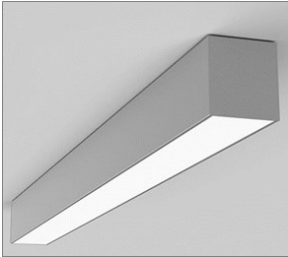
LINKING

MODEL	DESCRIPTION
OPT-SCX-LINKWIRING	FIXTURES ARE EQUIPED WITH PRE-INSTALLED LINKING BRACKETS AND ACCESSORIES AND ONLY NEED TO BE WIRED TOGETHER. TO RECEIVE A FIXTURE PREWIRED FOR LINKING, ORDER THE OPTION BELOW FOR EACH LINK TO ANOTHER FIXTURE OR TO A CORNER MODULE.



MOUNTINGS & OPTIONAL ACCESSORIES:

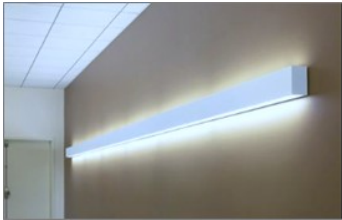
SURFACE MOUNTING



YOU DO NOT NEED TO ORDER ANY ACCESSORIES.

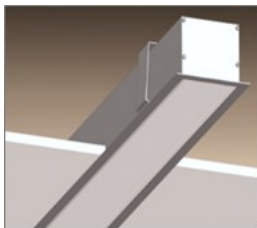
SCREW AND ANCHOR KIT PROVIDED WITH EACH FIXTURE CAN BE USED TO FASTEN THE FIXTURE DIRECTLY TO THE HARD SURFACE THROUGH THE HOLES ON TOP OF THE FIXTURE.

WALL MOUNTING



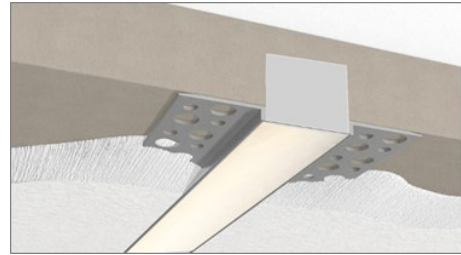
MODEL	DESCRIPTION	SIZE
OPT-SCX-WM-2FT	ORDER THIS OPTION AND WALL MOUNTING BRACKETS WILL BE INSTALLED ON BACK OF FIXTURE. CONNECTION CABLES WILL ENTER THE FIXTURE THROUGH ONE OF THESE WALL-MOUNTING BRACKETS. ON YOUR PURCHASE ORDER SPECIFY THE POSITION OF YOUR WIRE ENTRY FROM THE WALL AND THE BRACKETS WILL BE INSTALLED ON THE BACK ACCORDINGLY.	2 FT

RECESSED MOUNT WITH FLANGE



MODEL	DESCRIPTION	SIZE
OPT-SCX-FMR-2FT	ORDER THIS OPTION AND THE FIXTURE WILL BE EQUIPPED WITH A 1/2" WIDE FLANGE ON FOUR SIDES. ADVANCED DESIGN TOGGLE STYLE BRACKETS WILL ALSO BE PROVIDED, TO ADJUST AND HOLD THE FIXTURE AGAINST DRYWALL OR OTHER HARD CEILING FROM THE TOP. WHEN LINKING TO ANOTHER FIXTURE OR CORNER MODULE, CALL US OR SEND A COPY OF YOUR PLAN ALONG WITH YOUR PO AND FLANGES WILL BE REMOVED ON THOSE ENDS THAT NEED TO MAKE A SEAMLESS CONNECTIONS.	2 FT

FLANGELESS RECESS MOUNT IN DRYWALL (MUD-IN)



MODEL	DESCRIPTION	SIZE
OPT-SCX-MIF-2FT	ORDER THIS OPTION AND THE FIXTURE WILL BE EQUIPPED WITH MUD-IN BRACKETS ON ALL FOUR SIDES, MOUNTED AT 1/16" FROM THE LENS SURFACE (SPECIFY IF OTHER SPACING IS NEEDED). ADVANCED DESIGN TOGGLE STYLE BRACKETS WILL ALSO BE PROVIDED, TO ADJUST AND HOLD THE FIXTURE AGAINST DRYWALL CEILING FROM THE TOP. WHEN LINKING TO ANOTHER FIXTURE OR CORNER FIXTURE MODULE CALL US OR SEND A COPY OF YOUR PLAN ALONG WITH YOUR PO AND FLANGES WILL BE REMOVED ON THOSE ENDS THAT NEED TO MAKE A SEAMLESS CONNECTION.	2 FT

T-BAR INSTALLATION



OPT-SCX-TBAR-2FT



SCL-GSY10
SCL-GSY20

MODEL	DESCRIPTION
OPT-SCX-TBAR-2FT	ADD THIS OPTION AND 1/2" WIDE FLANGES WILL BE INSTALLED ON THE TWO LONG SIDES OF THE FIXTURE. THE TWO ENDS OF THE FIXTURE WILL FALL ONTO THE T-BAR GRIDS AND WILL BE SUPPORTED THIS WAY. THE T-BAR TILES ON THE TWO SIDES OF THE FIXTURE MUST BE CUT TO ALLOW FOR THE WIDTH OF THE FIXTURE. THE TILES WILL FALL ONTO AND BE SUPPORTED BY THE FLANGES ON BOTH SIDES OF THE FIXTURE. IF YOU PLAN TO SUPPORT THE FIXTURE BY THE GRIDS ON THREE SIDES AND TILE ON ONE SIDE, CALL US OR SPECIFY ON YOUR PO AND FLANGE WILL BE INSTALLED ONLY ON ONE SIDE OF THE FIXTURE. TO PROVIDE SAFETY AND SUPPORT FROM THE BEAMS ABOVE THE T-BAR CEILING ORDER 10FT OR 20FT AIRCRAFT SUSPENSION KITS BELOW.
SCL-GSY10	HEAVY-DUTY ADJUSTABLE 10 FT. 1/16" AIRCRAFT CABLE SUSPENSION KIT WITH Y-CONNECTOR & LOOP GRIPPER & HOOKS
SCL-GSY20	HEAVY-DUTY ADJUSTABLE 20 FT. 1/16" AIRCRAFT CABLE SUSPENSION KIT WITH Y-CONNECTOR & LOOP GRIPPER & HOOKS



MOUNTINGS & OPTIONAL ACCESSORIES:

SUSPENDED MOUNTING ACCESSORIES (NOT INCLUDED)



SCL-CS

SCL-CS3



SCL-6FT-SJTW18/5

SCL-6FT-SJTW18/5-100FT

SCL-6FT-SJTW18/5-100FT-BK



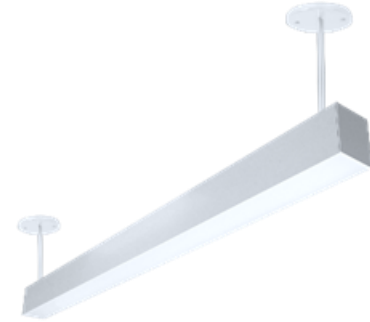
SCL-6FT-SJTW18/6-100FT



SCL-ASC-500FT

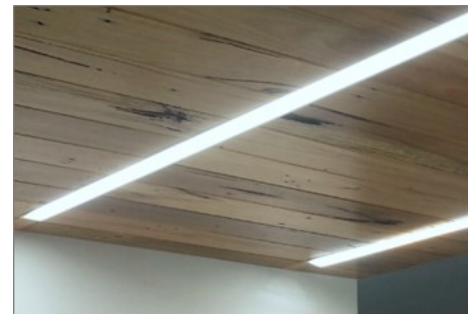
MODEL	DESCRIPTION
SCL-CS	ADJUSTABLE 6FT 1/16" AIRCRAFT CABLE SUSPENSION KIT WITH CANOPY FOR CEILING OR T-BAR.
SCL-CS3	ADJUSTABLE 6FT 1/16" AIRCRAFT CABLE SUSPENSION KIT WITH CANOPY FOR CEILING OR T-BAR
SCL-6FT-SJTW18/5	6FT WHITE CORD, SJTW 18 AWG 5-CONDUCTOR (BLACK, WHITE, GREEN + PURPLE & GRAY FOR 0-10V DIMMING)
SCL-6FT-SJTW18/5-100FT	100FT ROLL OF WHITE CORD, SJTW 18 AWG 5-CONDUCTOR (BLACK, WHITE, GREEN + PURPLE & GRAY FOR 0-10V DIMMING)
SCL-6FT-SJTW18/5-100FT-BK	100FT ROLL OF BLACK CORD, SJTW 18 AWG 5-CONDUCTOR (BLACK, WHITE, GREEN + PURPLE & GRAY FOR 0-10V DIMMING)
SCL-6FT-SJTW18/6-100FT	100FT ROLL OF WHITE CORD, SJTW 18 AWG 6-CONDUCTOR (BLACK, WHITE, GREEN + PURPLE & GRAY FOR 0-10V DIMMING + RED FOR BACKUP INVERTOR)
SCL-ASC-500FT	1/16" 500 FT. STEEL AIRCRAFT SUSPENSION CABLE

SUSPENSION ROD KITS



MODEL	No. OF PAIR	SIZE
SCL-RS-12	2	12 INCH
SCL-RS-24	2	18 INCH
SCL-RS-36	2	24 INCH
SCL-RS-48	2	48 INCH

SUSPENDED MOUNTING ACCESSORIES (NOT INCLUDED)



YOU DO NOT NEED TO ORDER ANY ACCESSORIES.

MAKE RECESSED PREPARATIONS BY INSTALLING A HORIZONTAL PLANK OF WOOD ON TOP OF THE WOOD CEILING AT RECESSED HEIGHT OF 3-3/8".

SCREW AND ANCHOR KIT PROVIDED WITH EACH FIXTURE CAN BE USED TO FASTEN THE TOP OF THE FIXTURE TO THE WOOD PLANK THROUGH THE HOLES ON TOP OF THE FIXTURE.

YOU CAN ALSO INSTALL VERTICAL WOOD BOARDS ON TOP OF THE CEILING AT THE EDGE OF THE OPENING AND OPEN THE FIXTURE AND PUT SCREWS THROUGH THE SIDES OF THE FIXTURE HOUSING TO FASTEN IT TO THE WOOD BOARDS.

