

PROJECT NAME

CATALOG NO.

TYPE

DATE

NOTE

## LED SLIM ROUND HIGH BAY

## RWU Series

Slim Round LED High Bay

### DESCRIPTION

The Alphalite RWU Series Slim Round LED High Bay delivers high lumen output, long life, economic solution, and no restrike time. This energy-efficient LED luminaire offers one-to-one replacement of existing HID or fluorescent high bays. Precision-formed reflectors delivers adequate light in high mounting applications. Modular driver and LED arrays. Economic solution to optimize payback. Capable of being operated with occupancy sensor

### APPLICATION

Various commercial industrial applications with high ceilings: warehouse, manufacturing facilities, retail, gymnasiums, grocery.

### SPECIFICATION FEATURES

#### Benefits

- Attractive ROI
- Lower energy costs
- High quality light for a more productive space

#### Construction

Rugged die-cast aluminum housing withstands environments without climate control. Outer surface treated with durable powder coating to provide resistance to corrosion, rust, weathering, and UV degradation. Performance-engineered, integral heat dissipation fins and LED thermal substrate provides superior thermal management for long life and reliability.

#### Electrical

Luminaire utilizes long life, high efficacy LEDs and a highly efficient, reliable LED driver. 120V-277V input voltage for increased versatility. Comes equipped with quick disconnect for compliance with US code.



#### Mounting

Comes standard equipped with hook mounting. Various mounting options available: J-box, pendant.

#### Optics

One piece precision molded thick borosilicate glass. High light reflectivity reflectors. 110° beam angle comes in standard.

#### Finish

Outer surface treated with durable powder coating in black color to provide resistance to corrosion, rust, weathering, and UV degradation.

#### Certifications / Regulatory

UL listed. DLC QPL listed. All components have safety approvals.

#### Warranty

7-year warranty. See complete warranty terms for details.

### Quick Ship Product

RWU-100/850  
RWU-150/840  
RWU-150/850  
RWU-240/850

## ORDERING INFORMATION

Sample Number: RWU-150/850

RWU	150	8	50	(Blank)	(Blank)	(Blank)
<b>Series</b>	<b>Form Factor</b>	<b>CRI</b>	<b>CCT</b>	<b>Input Voltage</b>	<b>Dimming</b>	<b>Beam Angle</b>
RWU - LED Slim Round High Bay	100 - 100W 150 - 150W 240 - 240W	8 - 80+ CRI	40 - 4000K 50 - 5000K	(Blank) - 120V-277V	(Blank) - 0-10V Continuous Dimming	(Blank) - 110°

### Options

#### Controls

**MMS** - Integrated step dimming  
Microwave occupancy sensor

SUMMARY

Input Voltage	120V-277V
Input Frequency	50/60 Hz
Power Factor	> 0.95
THD (Max.)	20%
Efficacy	> 135 LPW
Controls/ Dimming	Full Range 0-10V dimming standard
Dimming Range	10-100%
CRI	80+, R9 > 0
CCT	4000K and 5000K
Operating Temp.	-4 to +120F° (-20 to +49C°)
Rated Life	70,000 hours

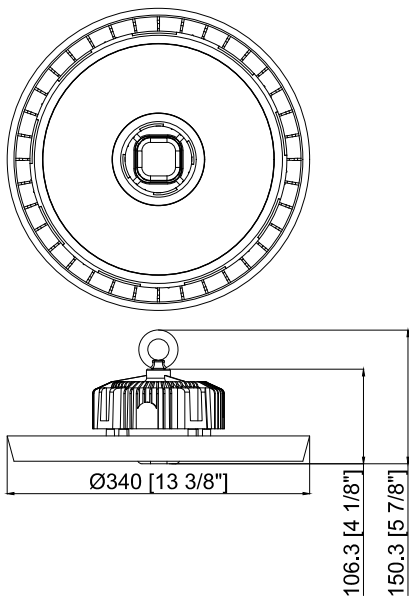
ENERGY PERFORMANCE DATA

Part No.	Rated Wattage (W)	Tested Wattage (W)	Delivered Lumens (lm)	Efficacy (lm/W)
RWU-100	100	93.86	13500	135
RWU-150	150	140.48	20250	135
RWU-240	240	240	32400	135

PHYSICAL PARAMETERS

DIMENSION

RWU-100&150



RWU-240

