

# RDPF SERIES

LED Retrofit Trims

**WESTGATE**  
THE FUTURE IS HERE...AND IT'S QUITE BRIGHT!

RDPF4-MCT5

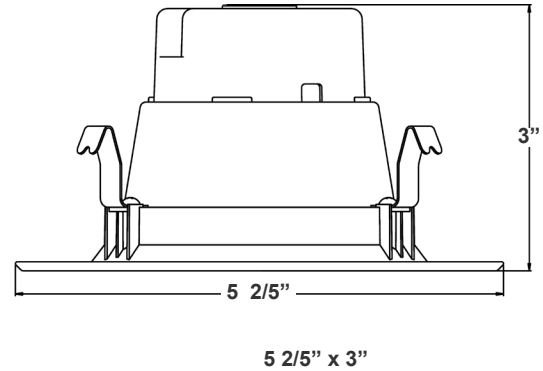


Customer Name: \_\_\_\_\_

Project Name: \_\_\_\_\_

Note: \_\_\_\_\_

Type: \_\_\_\_\_



LED retrofit trims have been designed to be a flexible lighting solution for retrofit and new construction applications, Ideal for closets, storage areas, attics, corridors, or general lighting solutions for residential and commercial applications.

## Features

- 4" Baffle Recessed Trim
- Multi CCT (Selectable Switch on the Back of the driver )
- JA8-E-2019 & Title 24 Compliant (approved approved by the state of California and registered with the California Energy Commissions (CEC))
- 5-Year Warranty
- Composite Polycarbonate

## Technical Specifications

### Electrical:

- Voltage: 120V AC
- Power Factor: >0.90
- Wattage: 10W
- Efficacy: 80 LPW

### Mechanical:

- Composite Polycarbonate, White Finish
- Maximum Ambient Temperature: 104°F
- 8" E26 Adaptor Included
- Fits in Standard 4" Recessed Housings
- Rated life: 50,000 hrs
- Wet Location
- White Finish

### Lighting:

- Dimming: TRIAC Dimming (Using Standard TRIAC LED Dimmers)
- Total Lumens: 800LM
- Color Temperatures: 2700K/ 3000K/ 3500K/ 4000K/ 5000K
- Multi CCT (Selectable Switch on the Back of the driver )
- Color Rendering Index: CRI ≥ 90
- 5-Year Warranty

### Applications:

- LED retrofit trim have been designed to be a flexible lighting solution for retrofit and new construction applications, Ideal for closets, storage areas, attics, corridors, or general lighting solutions for residential and commercial applications

### Other Models:

- 13W | 1040LM | RDPF6-MCT5

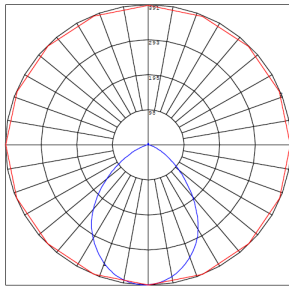
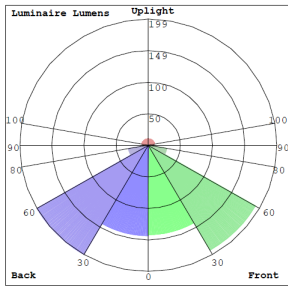


Phone: (877) 805-2252 | Fax: (877) 805-2252  
www.westgatemfg.com | www.westgatecontrols.co

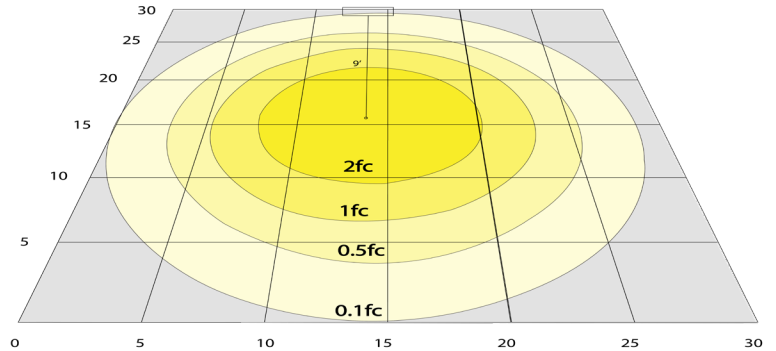


WG-Z7-26-2Z

## Photometrics: RDPF4-MCT5



BUG Rating: B1-U2-G0



Simulation Based on 2700K Area 30'x 30' Mounting Height: 9'

## Other Views:



Side View



Front View



Back View

## Performance Table: RDPF4-MCT5

MODEL NO.	Wattage	Voltage	Lumens	Color Temp.	BUG Rating	LPW
RDPF4-MCT5	10W	120V	800LM	2700K/ 3000K/ 3500K/ 4000K/ 5000K	B1-U2-G0	80

## Compatible Dimmer List:

MODEL NO.	BRAND	MODEL NO.	BRAND	MODEL NO.	BRAND
CTCL-153PDH-WH	LUTRON	DW6HD-1BZ	LEVITON	RHCL453PW	LEGRAND
DVCL-153P-WH	LUTRON	LIGH ALMOND NO.6672 600W	LEVITON		
DVCL-153PR-WH	LUTRON	WHITE NO.IPL06 600W	LEVITON		
MACL-153M-WH	LUTRON	WHITE NO.6674 600W	LEVITON		
MACL-153MH-WH	LUTRON				

## Sample Ordering

Model Color Temp.

RDPF4 - MCT5

## Factory-Installed Option:

Blank = No Option For Accessories  
OPT-EM-DL1EXT = EXTERNAL BATTERY BACKUP

## Example:

- RDPF4-MCT5 (FOR RDPF4 10W MCT5 FIXTURE 120V)
- RDPF4-MCT5 OPT-EM-DL1EXT (FOR RDPF4 10W MCT5 FIXTURE 120V) (EXTERNAL BATTERY BACKUP)

## FACTORY-INSTALLED OPTION:



OPT-EM-DL1EXT  
EXTERNAL BATTERY BACKUP