

MaxLite® Linear Strip - LS3 Series



General Safety Information

- To reduce the risk of death, personal injury or property damage from fire, electric shock, falling parts, cuts/abrasions, and other hazards read all warnings and instructions included with and on the fixture box and all fixture labels.
- Before installing, servicing, or performing routine maintenance upon this equipment, follow these general precautions.
- Commercial installation, service and maintenance of luminaires should be performed by a qualified licensed electrician.
- For Residential installation: If you are unsure about the installation or maintenance of the luminaires, consult a qualified licensed electrician and check your local electrical code.
- To prevent wiring damage or abrasion, do not expose wiring to edges of sheet metal or other sharp objects.
- Do not make or alter any open holes in an enclosure of wiring or electrical components during kit installation.
- **DO NOT INSTALL DAMAGED PRODUCT!**
- Suitable for Dry or Damp location



Picture is for illustration purposes only. Your model may vary.

WARNING:

RISK OF ELECTRICAL SHOCK

- Turn off electrical power at fuse or circuit breaker box before wiring fixture to the power supply.
- Turn off the power when you perform any maintenance.
- Verify that supply voltage is correct by comparing it with the luminaire label information.
- Make all electrical and grounded connections in accordance with the National Electrical Code and any applicable local code requirements.
- All wiring connections should be capped with UL approved wire connectors.

CAUTION:

RISK OF INJURY

- Wear gloves and safety glasses at all times when removing luminaire from carton, installing, servicing or performing maintenance.
- Avoid direct eye exposure to the light source while it is on.
- Account for small parts and destroy packing material, as these may be hazardous to children.

CAUTION:

RISK OF FIRE

- Keep combustible and other materials that can burn away from luminaire and lamp/lens.

NOTE: Green ground screw provided in proper location.
Do not relocate.

NOTE: Minimum 90° supply conductors.

NOTE: Specifications and dimensions subject to change without notice.

NOTE: Suitable for Dry or Damp location.

Models:

This instruction manual applies to the LS3 Series

Included in the box:

- LS3 Linear Strip Fixture
- V-Hooks
- Drywall anchor and screw
- Sensor Endcap
- Instructions

MaxLite® Linear Strip - LS3 Series



Setting Wattage & Color Temperature

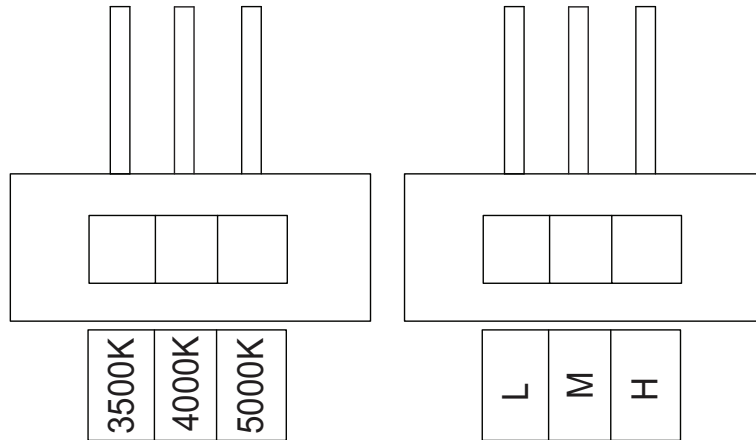
Note: Applicable to models ending in WCS only. Models are set to lowest wattage and 4000K.

Color settings:

Left, stands for 3500K;
 Middle, stands for 4000K;
 Right, stands for 5000K;

Wattage settings:

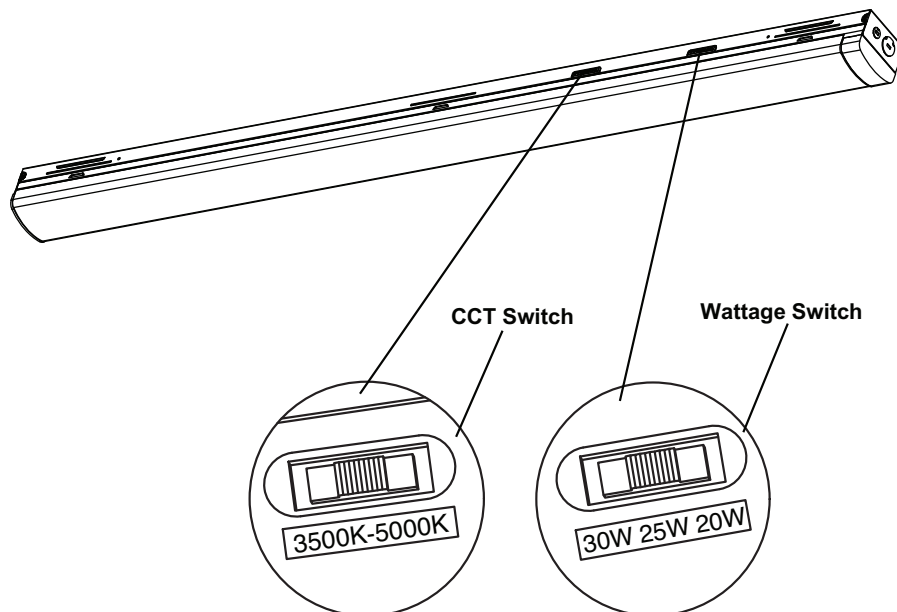
Left, stands for Low;
 Middle, stands for Medium;
 Right, stands for High;



Adjust the color temperature and lumen output using the two DIP switches. Each DIP switch has 3 options (left, middle and right), corresponding to 3 color temperatures and wattages. Use these switches to set desired color temperature and lumen output combination.

Factory Settings: 4000K, lowest wattage based on fixture.

1. DIP switches are located on the side of fixture.
2. Select a wattage and color temperature by sliding switch left or right respectively to the desired value.



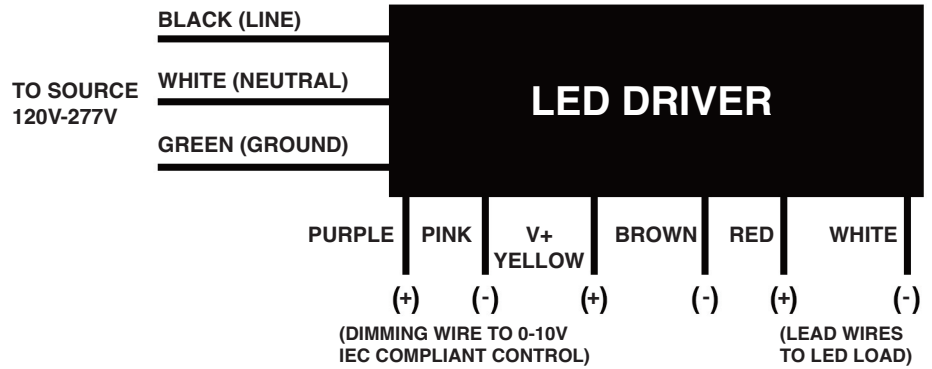


MaxLite® Linear Strip - LS3 Series

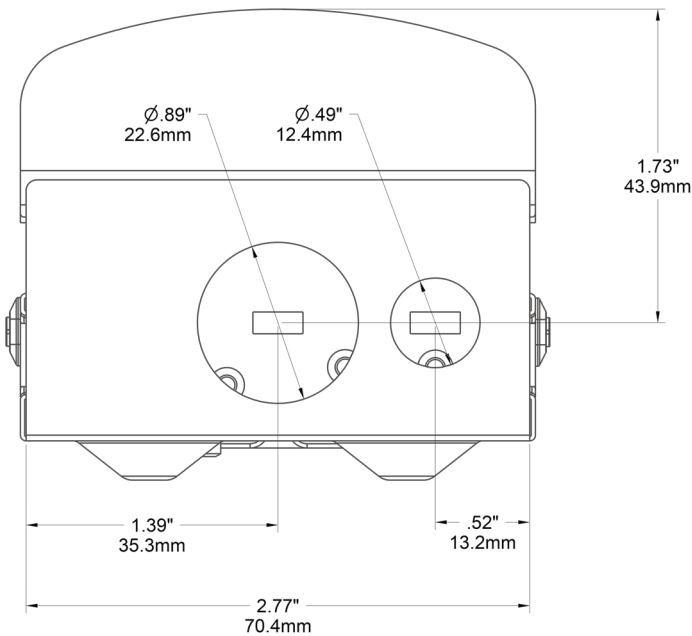
General Wiring Diagram

CAUTION: Turn off electrical power at fuse or circuit breaker box before wiring fixture to the power supply.

Input Rating: 120-277V 50/60 Hz
 Black = Line
 White = Neutral
 Green = Ground



Knock-out Dimensions



MaxLite® Linear Strip - LS3 Series

Surface Mount Installation Instructions

1. Take out the light fixture and accessories from the box. **(Fig. 1)**
2. If needed, fix the J-Box cover plates on the fixture. **(Fig. 2)**
3. Remove the Lens+LED module unit from the housing as shown. **(Fig. 3)**
4. Mount the Fixture housing to the ceiling with the drywall anchors and screws. **(Fig. 4)**
5. Wire to the main power through the junction box. **(Fig. 5)**
6. Attach the Lens+LED module unit on to the housing. The installation is completed. **(Fig. 6)**

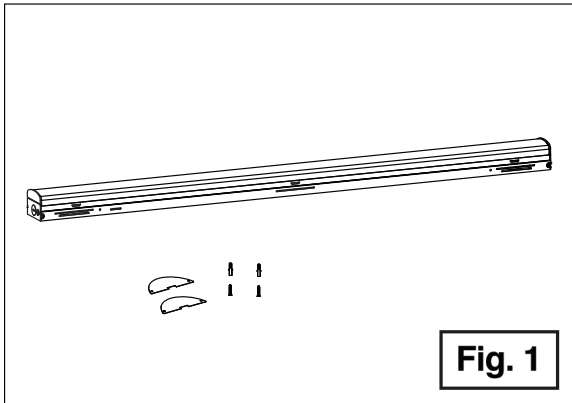


Fig. 1

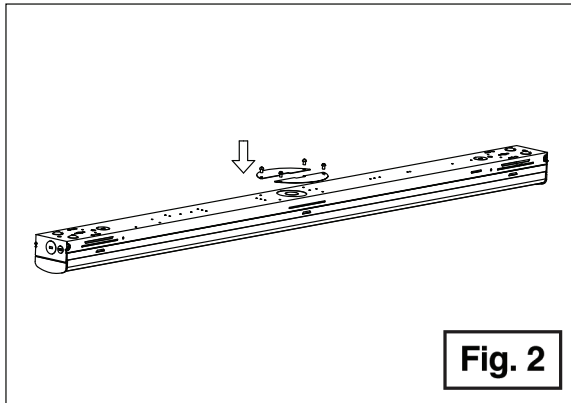


Fig. 2

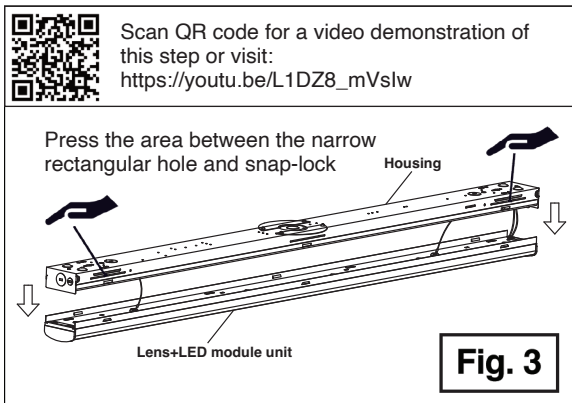
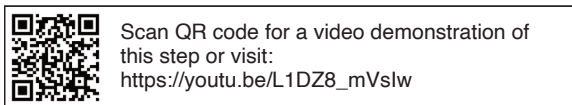


Fig. 3



Scan QR code for a video demonstration of this step or visit:
https://youtu.be/L1DZ8_mVslw

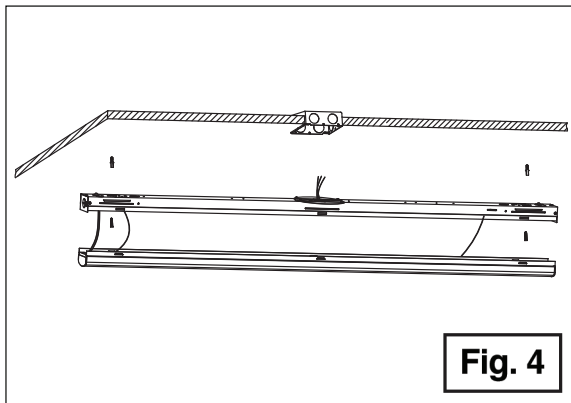


Fig. 4

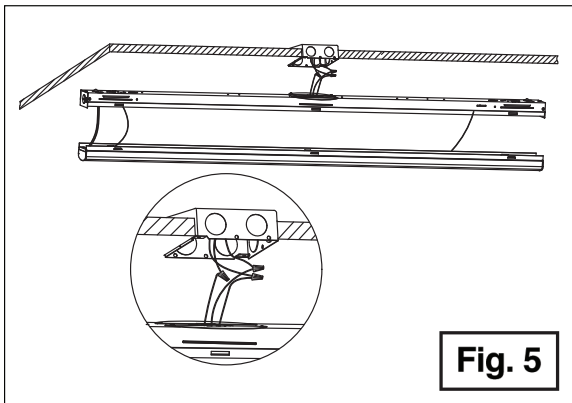


Fig. 5

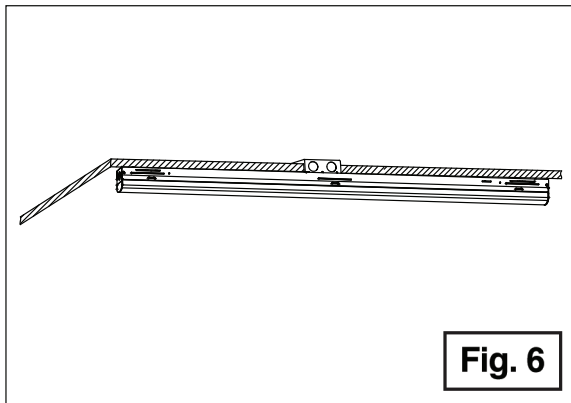


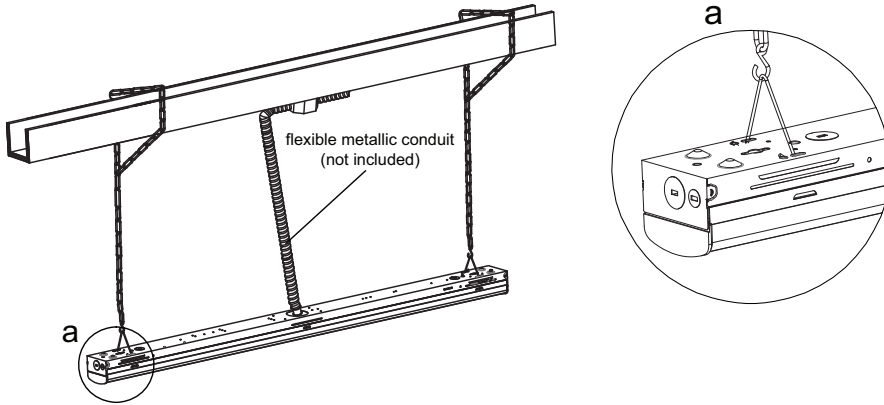
Fig. 6



MaxLite® Linear Strip - LS3 Series

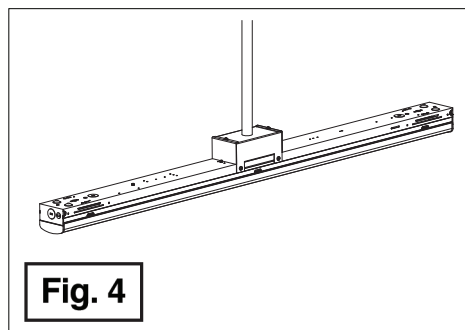
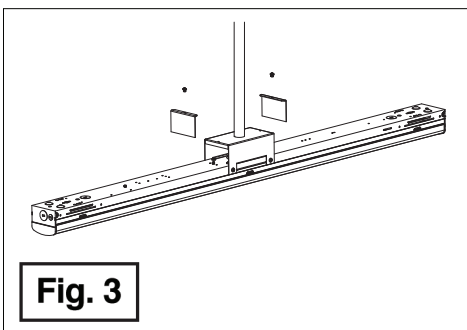
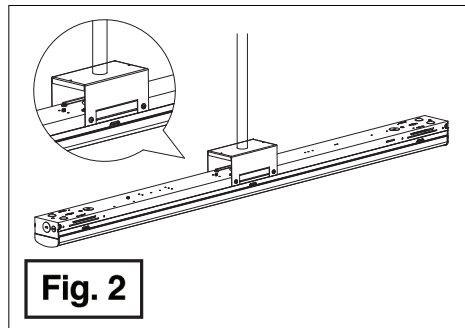
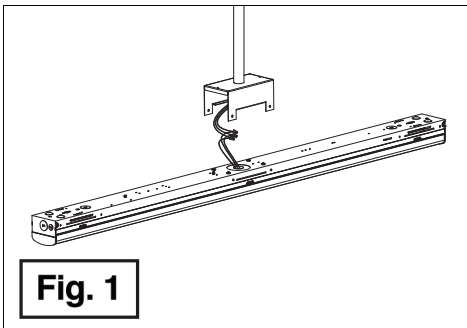
Chain Mounting Installation Instructions

1. Clip the brackets on to the slots of the fixture.
2. Attach V-Hooks to brackets.
3. Attach customer supplied chain to the V-hooks and mounting surface.



Pendant Mount Installation Instructions

1. Install the Pendant box to the Pipe end and make wiring connection. **(Fig. 1)**
2. Secure the fixture to the Pendant box with screws. **(Fig. 2)**
3. Install the side-cover to the pendant box with screws. **(Fig. 3)**
4. Turn on circuit breaker and test the light. **(Fig. 4)**

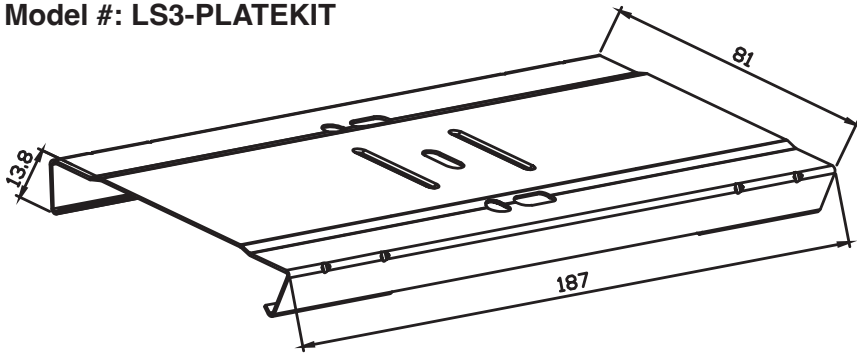




MaxLite® Linear Strip - LS3 Series

Linkable Plate Kit (Sold Separately)

Model #: LS3-PLATEKIT



1. Position both fixtures so that knockouts are aligned. Pass the wire harness through the knockouts from one fixture to the next. **(Fig A)**.
2. Once the fixtures are aligned, press the plate down. **(Fig B)**.
3. Snap the plate to the notches on the side of the fixture to secure them together. **(Fig C)**.

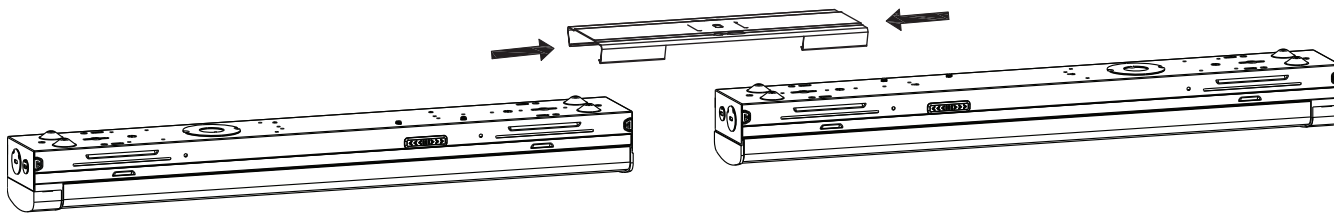


FIG A

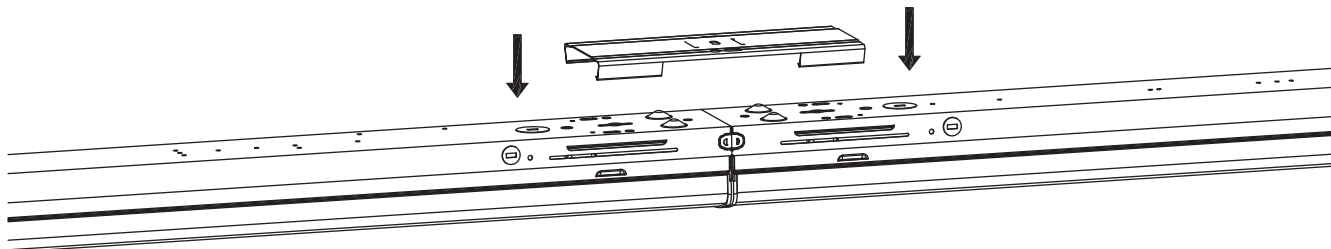


FIG B

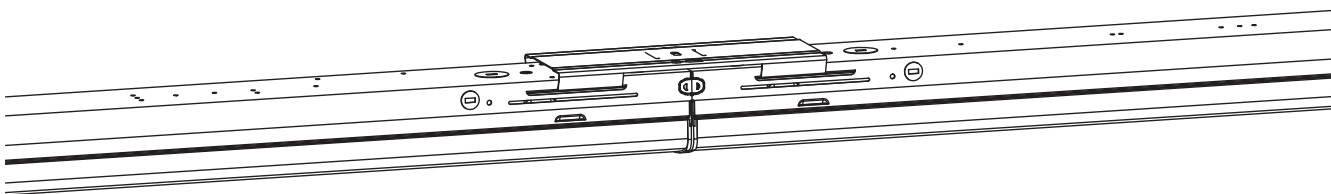


FIG C



MaxLite® Linear Strip - LS3 Series

Connecting Plate Kit - Surface Mount in a Row (Sold Separately)

Note: For this type of mounting The Connecting Plate kit (LS3-PLATEKIT) and Surface mount kits (LS3-SMK) needs to be purchased separately.

1. Take out the lighting fixture and accessories from the package box. Remove the KOs on end-cap before installation. **(Fig D)**.
2. Fix the J-box cover plate onto the back of the fixture with screws. **(Fig E)**.
3. Position on the ceiling, drill holes for the anchors, then secure the Connecting plate and Surface Mount clips with screws. **(Fig F)**.
4. Open the fixture body and make wirings refer to the Wiring diagram*. **(Fig G)**.
5. Reattach the luminous parts to the housing to complete the installation. **(Fig H)**.

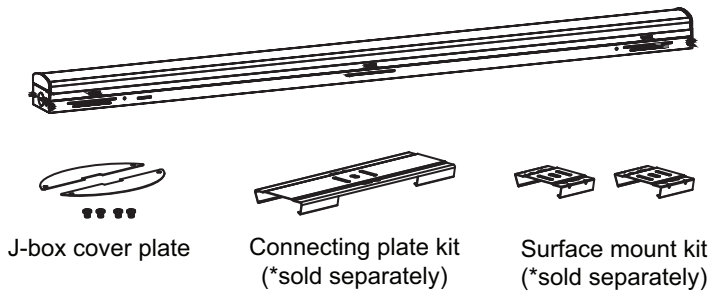


FIG D

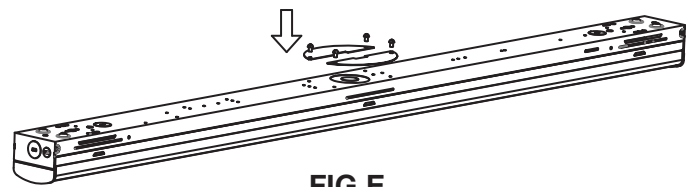


FIG E

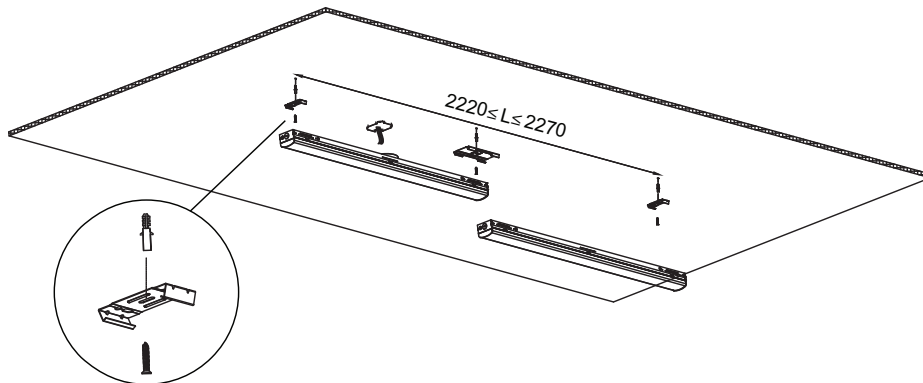


FIG F

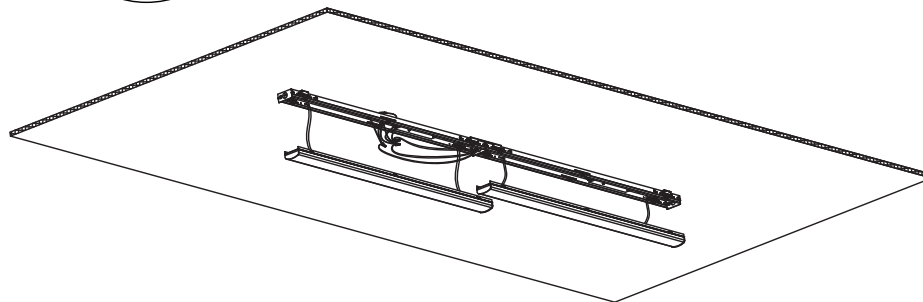


FIG G

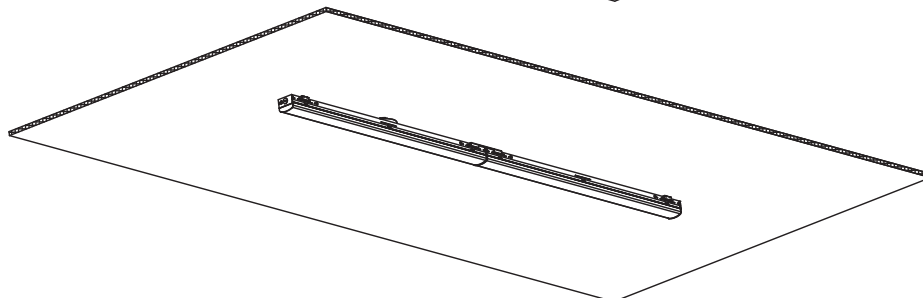


FIG H



MaxLite® Linear Strip - LS3 Series

Connecting Plate Kit - Suspension Mount in a Row (Sold Separately)

Note: For this type of mounting The Connecting Plate kit (LS3-PLATEKIT) and suspending chains/cables needs to be purchased separately.

1. Take out the lighting fixture and accessories from the package box. Remove the KOs on end-cap before installation. **(Fig I)**.
2. Install the Connecting Plate and V-hooks to one of the fixtures. **(Fig J)**.
3. Attach chain to the V-hooks to hang the 1st fixture. Then snap the 2nd fixture into place to the Connecting Plate and hang it securely. **(Fig K)**.

Note: When using Connecting plate kit, a point of support is needed at the connecting plate (Fig K)

4. Fix the end of pipe to the outlet hole. Open the fixture body and connect the AC wires and dimming wires* refer to the Wiring diagram. **(Fig L)**.
5. Reattach the luminous parts to fixture housing to complete the installation. **(Fig M)**.

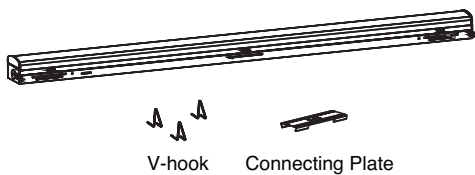


FIG I

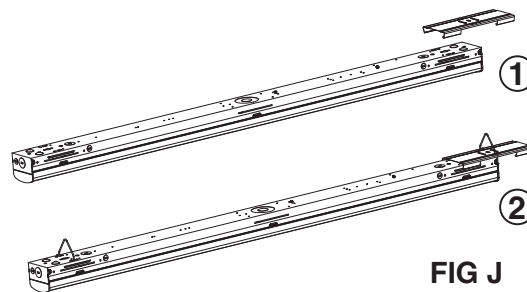


FIG J

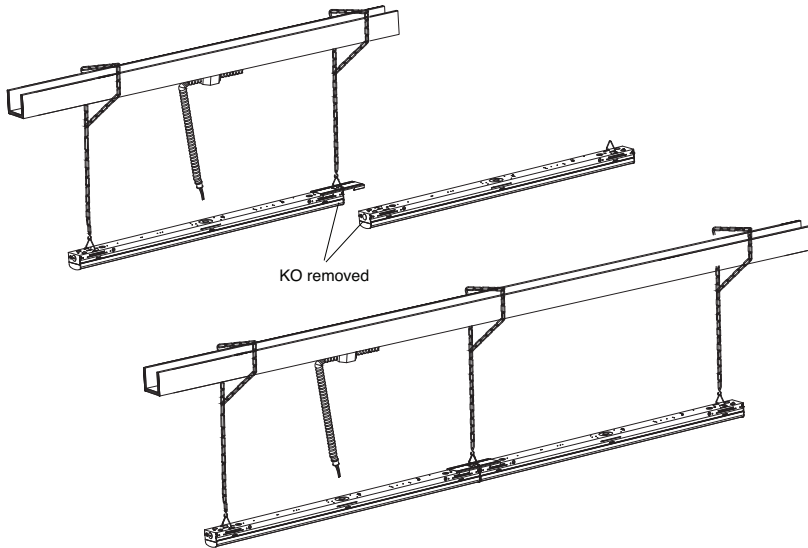
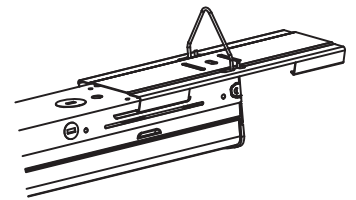


FIG K

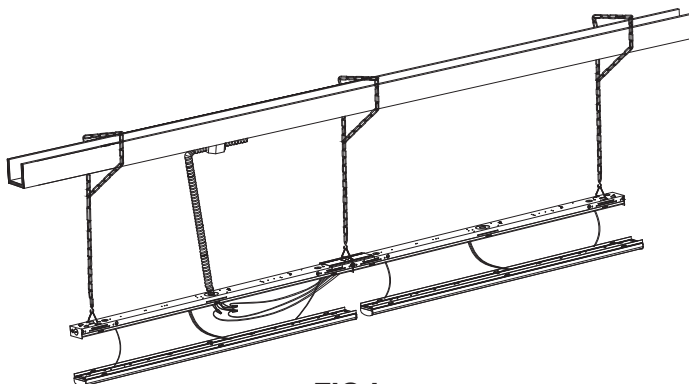


FIG L

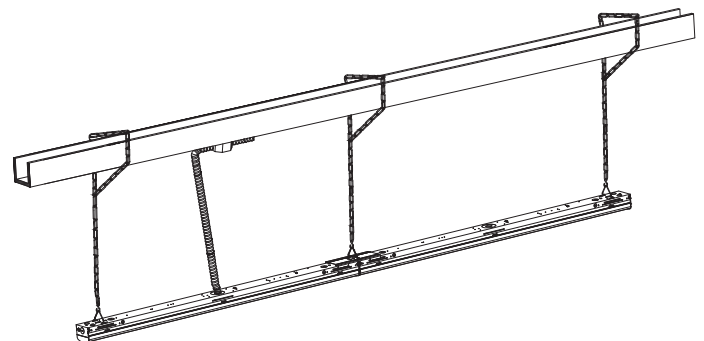
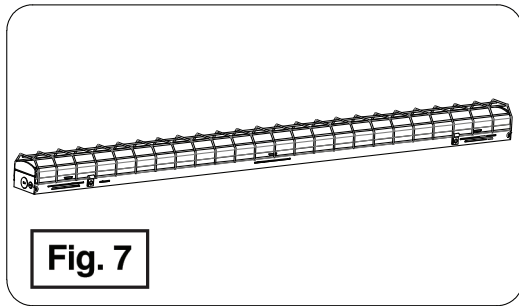
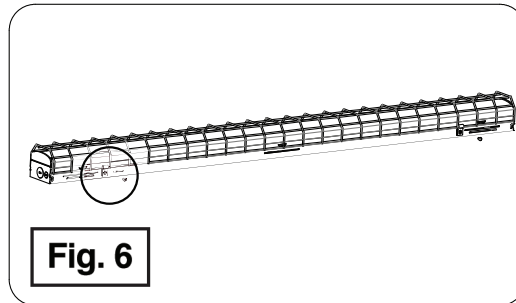
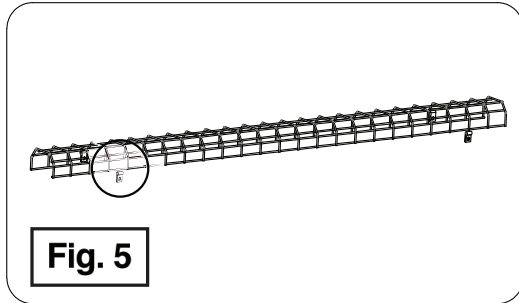


FIG M

MaxLite® Linear Strip - LS3 Series

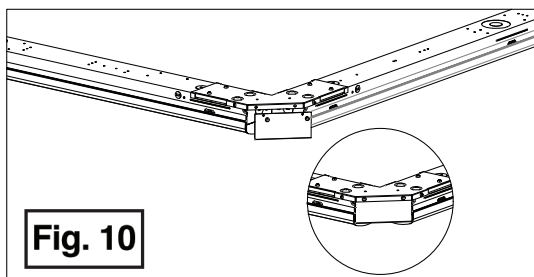
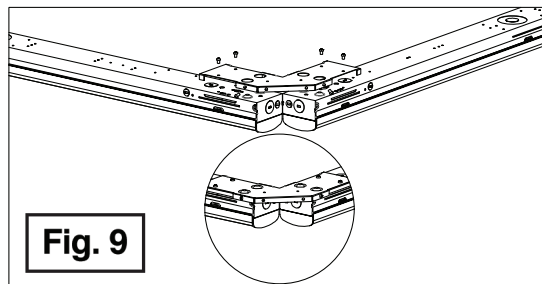
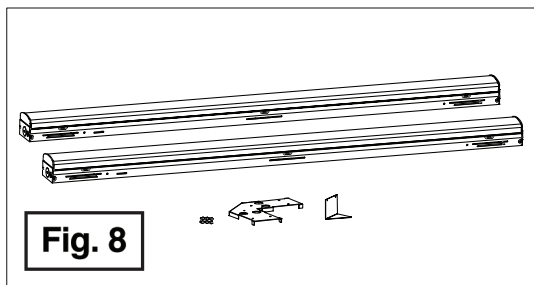
Wire Guard Installation Instructions

1. Insert the provided chips (4 pcs) onto the wire guard. (Fig. 5)
2. Fasten the chips by inserting screws into the prepunched holes of the fixture body. (Fig. 6)
3. Installation is completed. (Fig. 7)



Corner Bracket Installation Instructions

1. Take the light fixture and accessories out of the box. (Fig. 8)
2. Secure the interconnection bracket with screws. (Fig. 9)
3. Secure the interconnection endcover with screws. (Fig. 10)

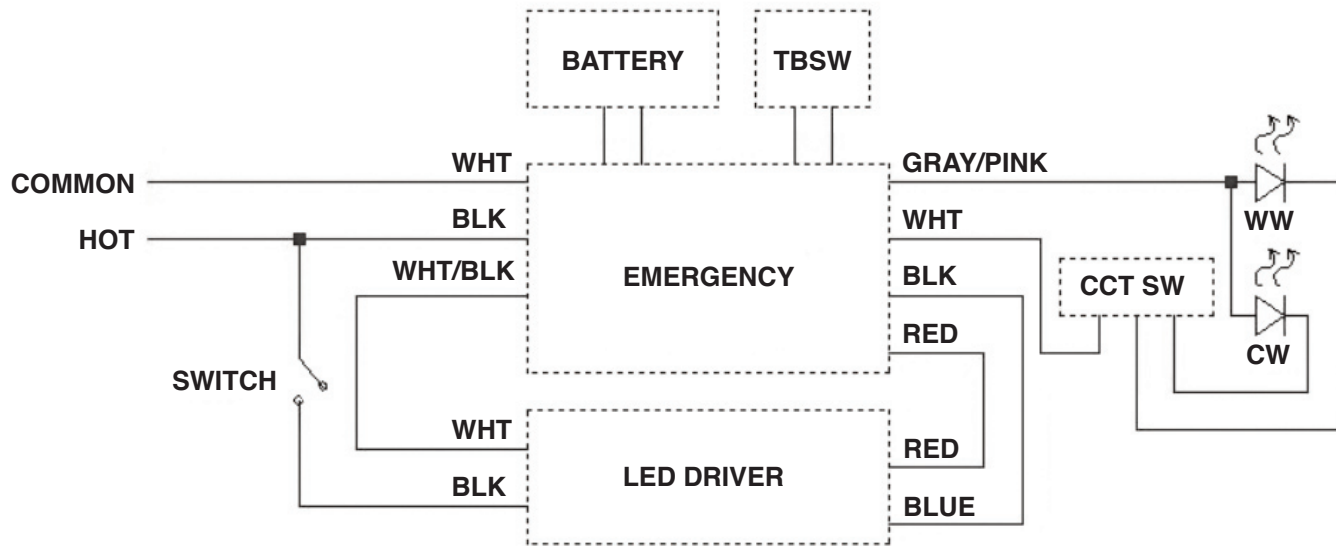
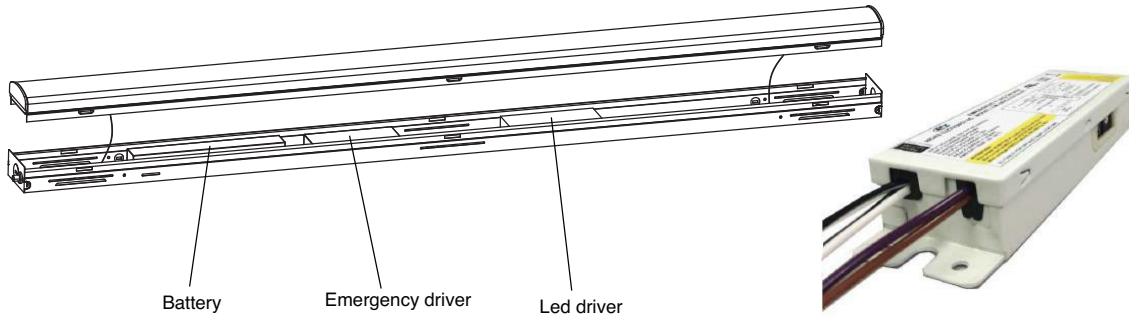




MaxLite® Linear Strip - LS3 Series

Emergency Battery Back-up Model Install Instructions (Additional Accessory)

Split Emergency Battery Back-up:



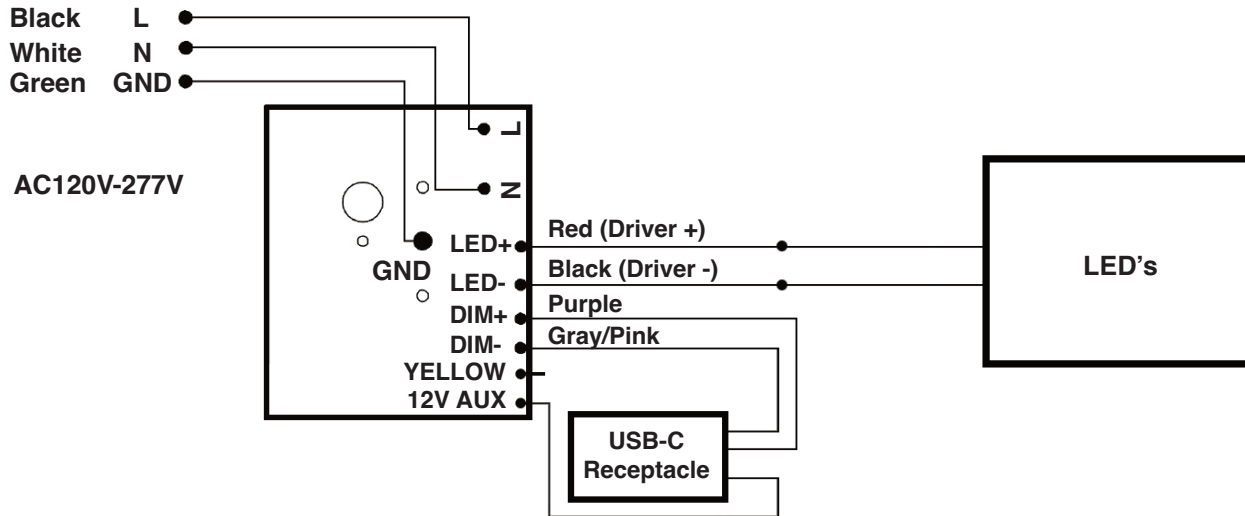


MaxLite® Linear Strip - LS3 Series

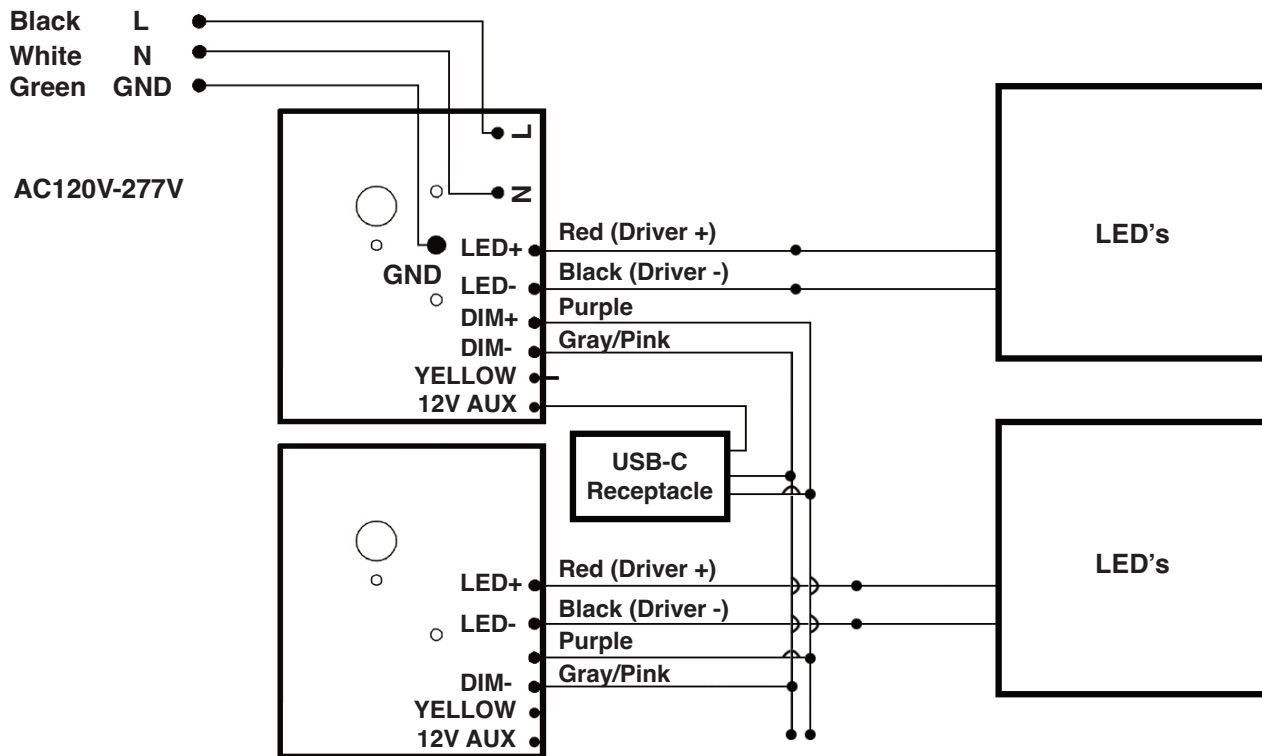
Controls Ready (CR) Model Standard Wiring Diagram

⚠ WARNING

Risk of fire or electric shock, installation requires knowledge of the lighting luminaires electrical systems. If not qualified, do not attempt installation and contact a qualified electrician.



Controls Ready (CR) Model Daisy-Chained Wiring Diagram



- Remove Dim+ and Dim- from the USB-C receptacle from the Child-Fixtures to connect to the Dim+, Dim- of the parent fixture.
- The USB-C receptacle will no longer function on the Child-Fixtures.
- No more than 8 fixtures total when daisy chaining.

MaxLite® Linear Strip - LS3 Series

c-Max™ node Installation Instructions (Applicable only on CR models)

1. Remove the end cap cover using a flathead screwdriver. (Fig. 1)
2. Remove the silicone plug from the USB-C receptacle. (Fig. 2)
3. Plug in the c-Max™ node (CN-RTPSW / NN-RTPSW) into the USB-C receptacle via the USB connection. (Fig. 3)
4. Secure the c-Max™ node in place by fastening the included M3 button head screw with a Hex (Allen) key (not included). Once the screw is secured, cover it with the included silicone cap. (Fig. 4 - drawing is for illustration only, actual screw may look different.)
5. Attach the included sensor bracket cover. (Fig. 5)

Note: For samples including a hex screw, please use a M2 allen key or equivalent.
Note: When using NN-RTW node use the end cap cover removed in step 1.

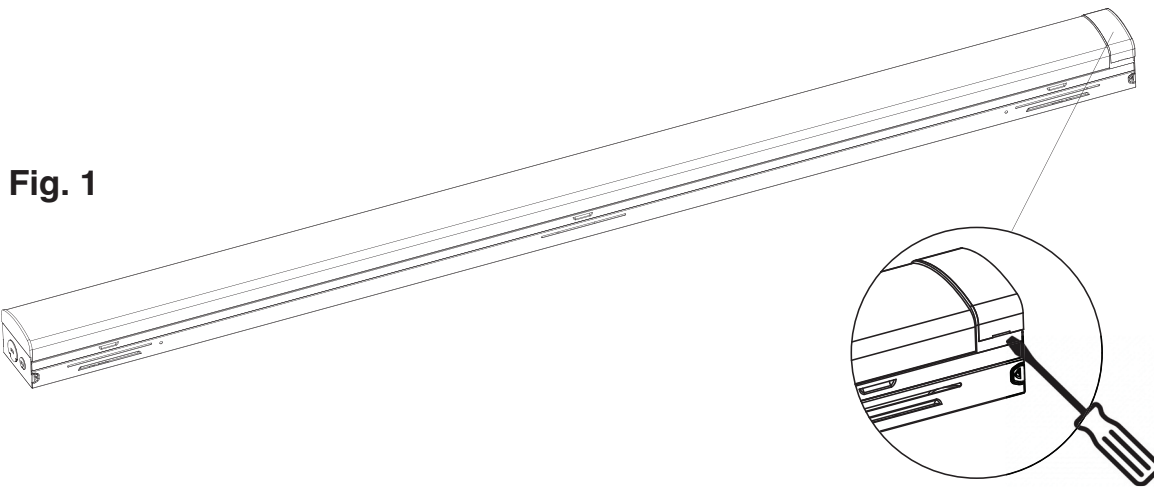


Fig. 1

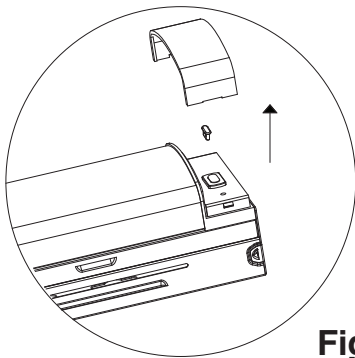


Fig. 2

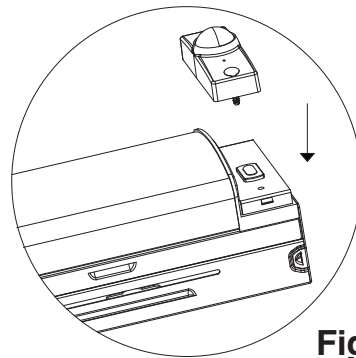


Fig. 3

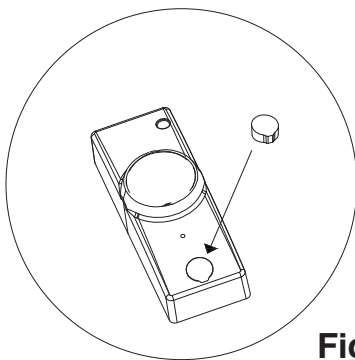


Fig. 4

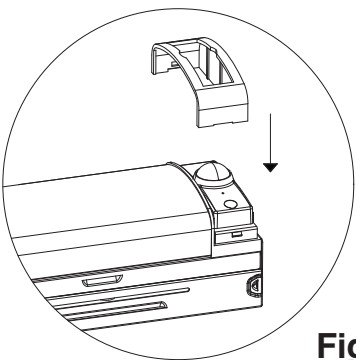


Fig. 5

MaxLite® Linear Strip - LS3 Series



Warranty Information

10-Year standard warranty with labor allowance*

(see terms at www.maxlite.com/warranties)

*Warranty Limitations: Product must be rated for application per the Product Data Sheet (PDS); operated ≤16 hrs; in ambient temperatures -4°F to 77°F.

*Up to \$25/unit; registration required. Additional coverage may be available for purchase; contact MaxLite.

*Excludes EM/MS versions; component warranty applies.

*If ambient temperatures fall outside the -4°F to 77°F range; product is warranted for 5 years according to the operating temperature range specified on the PDS.

Limitation of Liability

THE FOREGOING WARRANTY IS EXCLUSIVE, AND IS THE SOLE REMEDY FOR ANY AND ALL CLAIMS, WHETHER IN CONTRACT, IN TORT OR OTHERWISE ARISING FROM THE FAILURE OF PRODUCT AND IS IN LIEU OF ALL OTHER WARRANTIES, EXPRESS OR IMPLIED, INCLUDING ALL WARRANTIES OF MERCHANTABILITY OR FITNESS FOR A PARTICULAR PURPOSE, WHICH WARRANTIES ARE HEREBY EXPRESSLY DISCLAIMED TO THE EXTENT PERMITTED BY LAW AND, IN ANY EVENT, SHALL BE LIMITED TO THE WARRANTY PERIOD SPECIFIED ABOVE. THE LIABILITY OF MAXLITE SHALL BE LIMITED TO THE TERMS OF THE EXPRESS WARRANTY SET FORTH HEREIN. IN NO EVENT WILL MAXLITE BE LIABLE FOR ANY SPECIAL, INCIDENTAL OR CONSEQUENTIAL DAMAGES INCLUDING, WITHOUT LIMITATION, DAMAGES RESULTING FROM LOSS OF USE, PROFITS, BUSINESS OR GOODWILL, LABOR COSTS, REMOVAL OR INSTALLATION COSTS, DECREASE IN THE LIGHT OUTPUT OF THE LAMP, AND/OR DETERIORATION IN THE LAMP'S PERFORMANCE, WHETHER OR NOT MAXLITE HAS BEEN ADVISED OF THE POSSIBILITY THEREOF. UNDER NO CIRCUMSTANCES SHALL MAXLITE'S ENTIRE LIABILITY FOR A DEFECTIVE PRODUCT EXCEED THE PURCHASE PRICE OF THAT PRODUCT. WARRANTY SERVICES PROVIDED UNDER THESE TERMS AND CONDITIONS DO NOT ENSURE THE UNINTERRUPTED OPERATION OF PRODUCTS; MAXLITE SHALL NOT BE LIABLE FOR DAMAGES CAUSED BY ANY DELAYS INVOLVING WARRANTY SERVICE.

This Limited Warranty gives you specific legal rights and you may also have other rights that may vary from state to state. Because some states or jurisdictions do not allow the exclusion or limitation of liability for consequential or incidental damages, this limitation may not apply to you.