

Date: _____ Location: _____

Product: _____ Project: _____

Quantity: _____ Catalog #: _____

LED 2W Clear Exit Sign



FEATURES

- 120V or 277V AC input
- UL 924 listed for damp locations (DL)
- Canopy included
- Long lasting LEDs
- Easy installation and maintenance
- 50,000 hours lifetime

SUITABLE APPLICATIONS

- Stairways
- Hallways
- Doorways
- Bathrooms
- Corridors



CONSTRUCTION:

High impact UV stabilized flame rated thermoplastic housing (UL94 V-0) Nickel Cadmium (Ni-Cad) battery meets UL 90-minute emergency lighting requirement. Test switch and AC-On indicator included.

WARRANTY:

5-year limited warranty. Actual performance may differ as a result of end-user environment and application.

ELECTRICAL:

Available as 120V-347V AC input. 0°C to 40°C, 32°F to 104°F

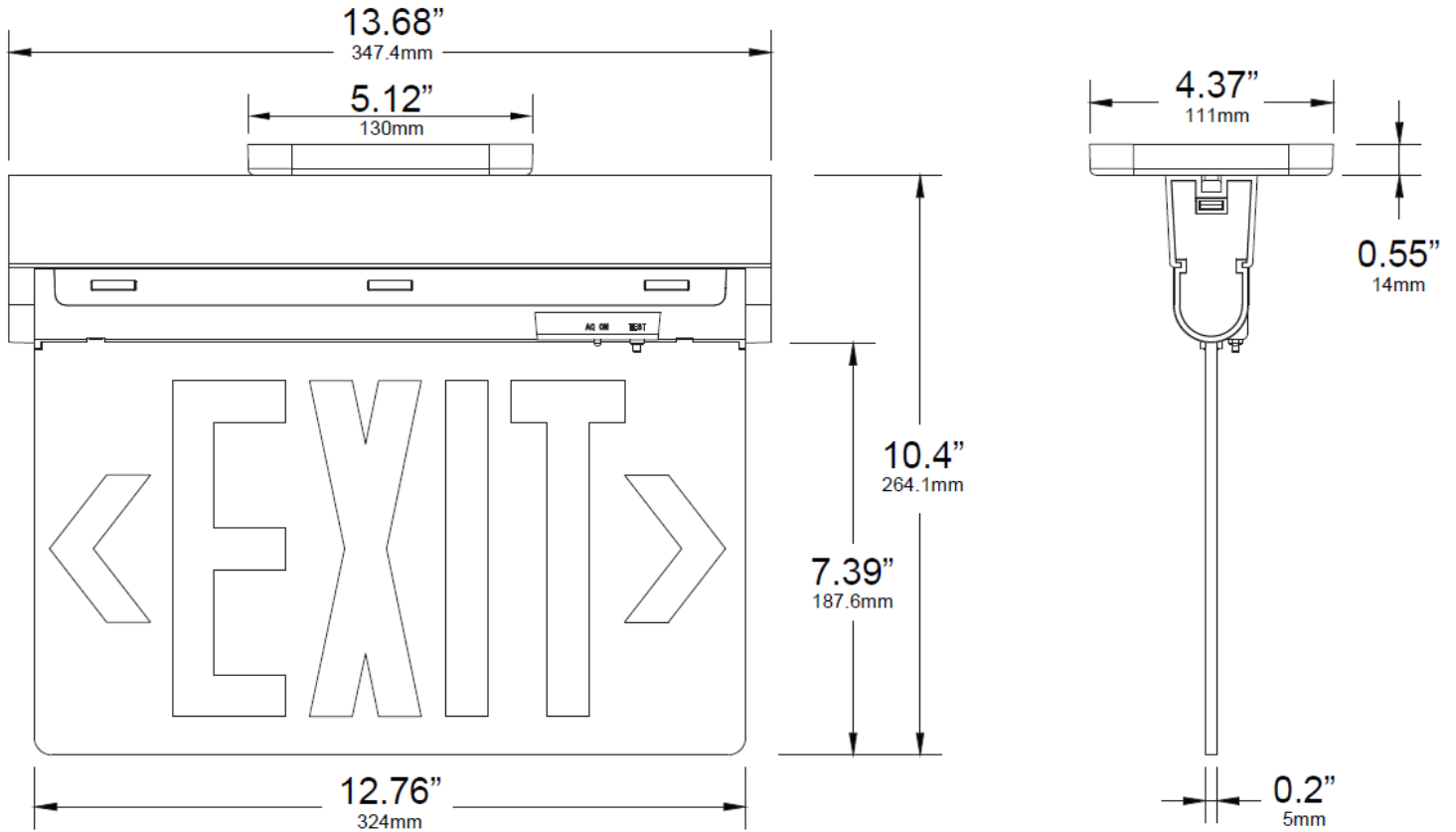
INSTALLATION & MOUNTING:

Wall, ceiling or end mount capabilities.

| MODEL NUMBER | COLOR | WATTAGE | BATTERY |
|-------------------|--------------|---------|---------|
| LOC-EXIT-2WGLW-CL | Green Letter | 2W | Ni-cad |

| | | | |
|---------------|----------------|---------------------|------------------|
| Series | Wattage | Letter Color | Color |
| LOC-EXIT | 2W | GL = Green Letter | CL = White Clear |

MEASUREMENTS



| MODEL | QUANTITY | WEIGHT | UPC CODE |
|-------------------|----------|----------|-----------------|
| LOC-EXIT-2WGLW-CL | 1 | 1.87 lbs | 008100509414126 |