

18W / 27W / 36W
E26 Base



45W / 54W / 63W
E39 Base



63W / 80W / 100W
E39 Base

LED LOC-CL Multi Watt Multi CCT Corn Light Family Series

CONSTRUCTION:

Extruded aluminum alloy to be more conductive to heat dissipation with PC cover. Temperature sensor.

OPTICAL SYSTEM:

Lumileds 2835 LED chips. 360° beam angle. High quality tempered glass optics.

WARRANTY:

5-year limited warranty. Actual performance may differ as a result of end-user environment and application.

ELECTRICAL:

Available as 100-277V input. -40°C to 60°C, -40°F to 140°F

DIMMING:

Continuous dimming.

INSTALLATION & MOUNTING:

E26/E39 screw in base. No ballast required. Suitable for enclosed fixtures.

FEATURES

- Default Wattage is the highest wattage
 - 36W
 - 63W
 - 100W
- Default CCT: 5,000K
- IP42 rated
- No fans or moving parts providing increased reliability
- No lead or mercury
- 50,000 hours lifetime

SUITABLE APPLICATIONS

- Parking decks
- Auto dealerships
- High masts
- Housing complexes
- Shopping malls
- Parks and Recreational areas

DLC Product ID:

- LOC-CL-MW(45/54/63)MCCT(30/40/50)D – PLUXFCA2PUYJ
- LOC-CL-MW(63/80/100)MCCT(30/40/50)D – PLFVW8SMYH6A

NOT DLC Listed:

- LOC-CL-MW(18/27/36)MCCT(30/40/50)D



OPTIONAL ACCESSORIES:



Daylight Sensor
LOC-L11-01



Microwave Sensor
LOC-L12-01



WiFi Smart Sensor
LOC-L10-01



3 in 1 Dimming
LOC-L07-01

LOC-CL-MW(18/27/36)MCCT(30/40/50)D E26 Base

| WATTAGE SELECTABLE | CCT SELECTBALE | LUMENS | EFFICACY | VOLTAGE | CRI | POWER FACTOR | THD | REPLACES |
|--------------------|-----------------------|-----------|-----------|----------|-----|--------------|-------|----------|
| 18W | 3000K / 4000K / 5000K | 1,931.4LM | 107.3lm/W | 100-277V | 85 | 0.9 | 13.8% | 150W |
| 27W | 3000K / 4000K / 5000K | 2,897.1LM | 107.3lm/W | 100-277V | 85 | 0.9 | 13.8% | 150W |
| 36W | 3000K / 4000K / 5000K | 3,862.8LM | 107.3lm/W | 100-277V | 85 | 0.9 | 13.8% | 150W |

LOC-CL-MW(45/54/63)MCCT(30/40/50)D E39 Base

| WATTAGE SELECTABLE | CCT SELECTBALE | LUMENS | EFFICACY | VOLTAGE | CRI | POWER FACTOR | THD | REPLACES |
|--------------------|-----------------------|-----------|-----------|----------|-----|--------------|-------|----------|
| 45W | 3000K / 4000K / 5000K | 4,828.5LM | 107.3lm/W | 100-277V | 85 | 0.9 | 13.8% | 250W |
| 54W | 3000K / 4000K / 5000K | 5,794.2LM | 107.3lm/W | 100-277V | 85 | 0.9 | 20% | 250W |
| 63W | 3000K / 4000K / 5000K | 6,759.9LM | 107.3lm/W | 100-277V | 85 | 0.9 | 20% | 250W |

LOC-CL-MW(63/80/100)MCCT(30/40/50)D E39 Base

| WATTAGE SELECTABLE | CCT SELECTBALE | LUMENS | EFFICACY | VOLTAGE | CRI | POWER FACTOR | THD | REPLACES |
|--------------------|-----------------------|-----------|-----------|----------|-----|--------------|-------|----------|
| 63W | 3000K / 4000K / 5000K | 6,955.2LM | 110.4lm/W | 100-277V | 85 | 0.8 | 15.8% | 600W |
| 80W | 3000K / 4000K / 5000K | 8,832LM | 110.4lm/W | 100-277V | 85 | 0.8 | 15.8% | 600W |
| 100W | 3000K / 4000K / 5000K | 11,040LM | 110.4lm/W | 100-277V | 85 | 0.8 | 15.8% | 600W |

SELECTABLE COLOR TEMPERATURE OPTIONS



3000K



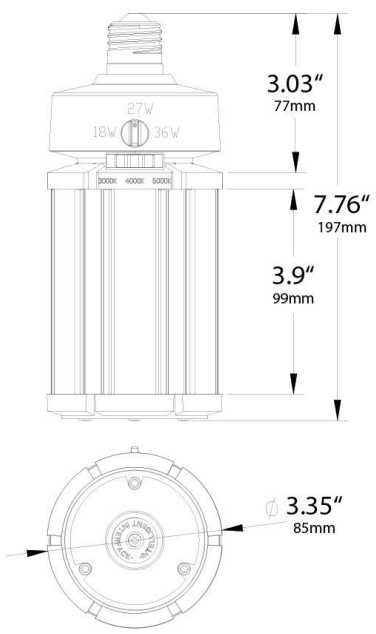
4000K



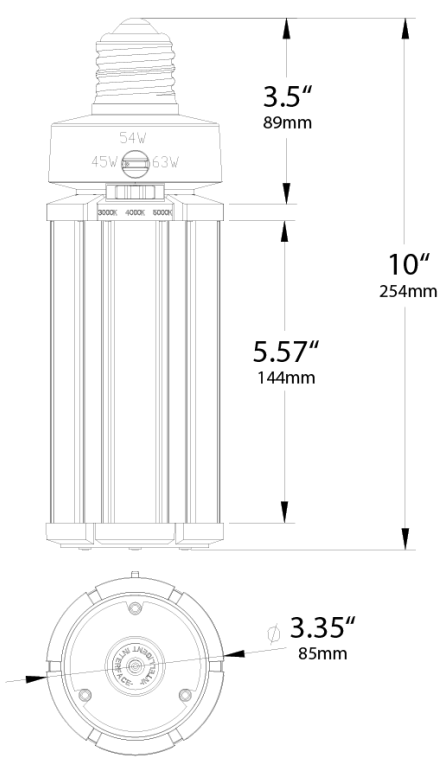
5000K



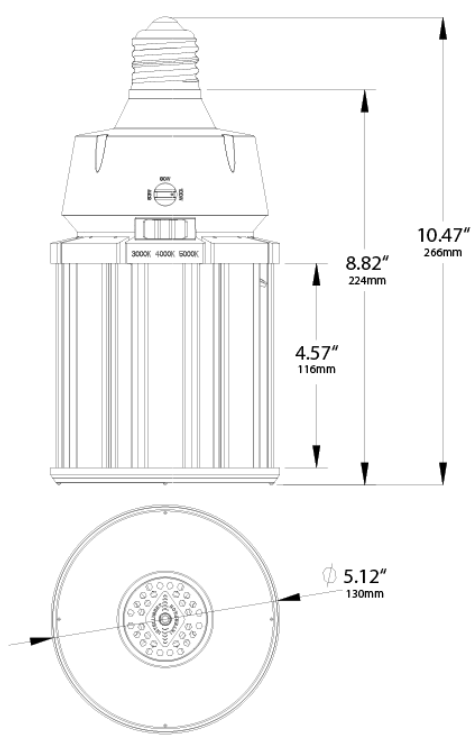
MEASUREMENTS



18W / 27W / 36W



45W / 54W / 63W



63W / 80W / 100W

| MODEL | QUANTITY | WEIGHT | UPC CODE |
|-------------------------------------|----------|---------|----------------|
| LOC-CL-MW(18/27/36)MCCT(30/40/50)D | 1 | 1.48lbs | 00810050941501 |
| LOC-CL-MW(45/54/63)MCCT(30/40/50)D | 1 | 1.81lbs | 00810050941518 |
| LOC-CL-MW(63/80/100)MCCT(30/40/50)D | 1 | 3.2 lbs | 00810050941525 |