



KTSL-FC1-UV-KO

BLUETOOTH WIRELESS FIXTURE CONTROLLER

DESCRIPTION

Bluetooth mesh wireless fixture controller for SmartLoop system

APPLICATION

Ideal for small- to medium-size systems, such as schools, offices, auditoriums, and warehouses



Bluetooth®



PRODUCT FEATURES

- Use of a relay, 0–10V dimming, and a 1/2" knock-out enable compatibility with many standard industry fixtures
- Commissioned via SmartLoop mobile app for iPhone and Android
- Controlled via SmartLoop mobile app, keypad, and sensors
- UL2043 certified for plenum installations
- Utilizes Bluetooth mesh technology for reliable and secure wireless communication
- Intelligent relay control software reduces wear to extend relay life
- Power outage recovery defaults to automatic on state
- Indicator LED communicates device status

ELECTRICAL SPECIFICATIONS

Input Power	120–277VAC, 50-60Hz
Standby Power	<1W
Max Load Current	3.0A
RF Transmit Power	8dBm
Turn-on Delay Time	<0.5s
Max 0–10V Sinking Current	10mA
Wireless Frequency	2.4GHz
Wireless Range (Open Air)	100m
Wireless Protocol	Bluetooth 4.2

ENVIRONMENTAL SPECIFICATIONS

Operating Temperature	–40°C/–40°F to 45°C/113°F
Storage Temperature	–40°C/–40°F to 85°C/185°F
Humidity	5–90%
Lifetime Rating	50,000 hrs
Moisture and Dust Rating	IP20

SAFETY AND EMC COMPLIANCE

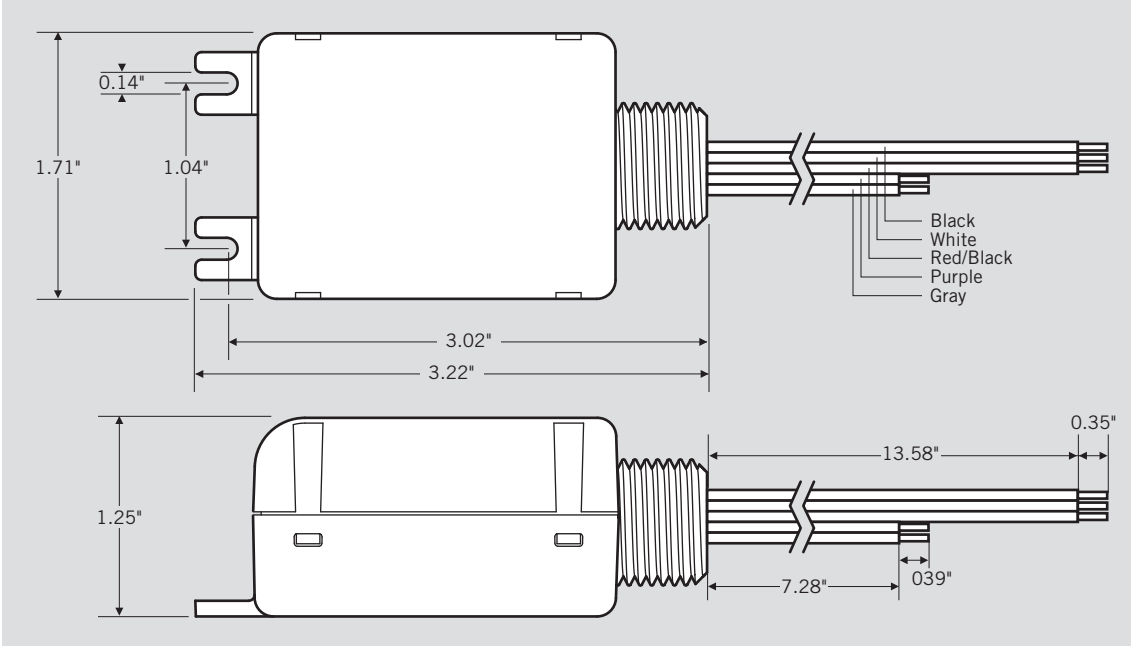
UL/cUL	UL8750, UL2043
FCC	Part 15.247



KTSL-FC1-UV-KO

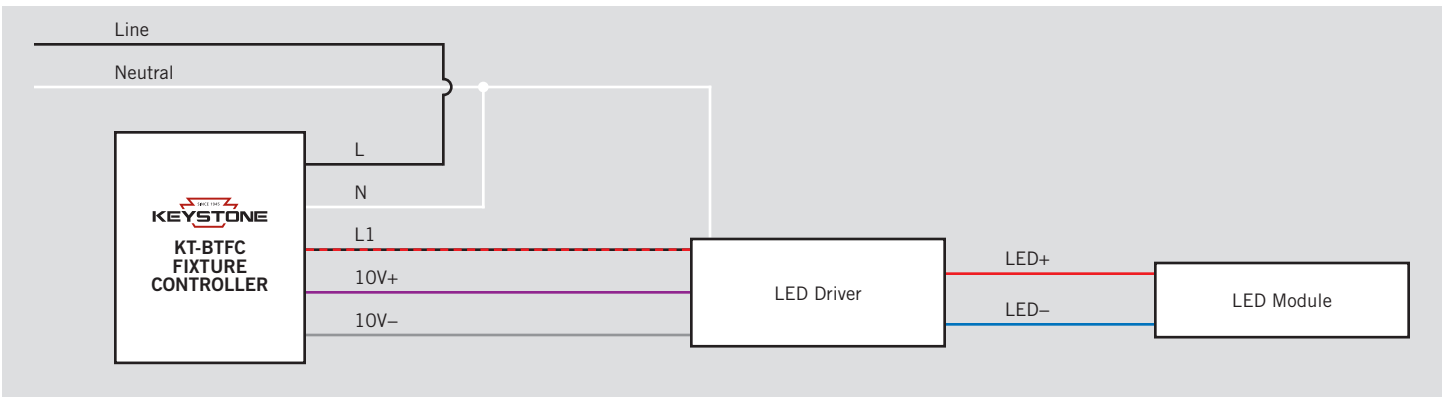
BLUETOOTH WIRELESS FIXTURE CONTROLLER

PHYSICAL SPECIFICATIONS



Mounting	1/2" knockout or screw tabs
Length	3.22"
Width	1.71"
Height	1.25"
Tabs	1.04"
Weight	3.0 oz.
Case Material	Plastic

WIRING DIAGRAM



WIRE SPECIFICATIONS

Name	Function	Color	Gauge	Type	Length	Strip Length
L	Input Hot	Black	18AWG	Solid	13.58"	0.35"
N	Neutral	White			13.58"	0.35"
L1	Switched Hot Out	Red/Black			13.58"	0.35"
10V+	Dimming Level	Purple	22AWG	Stranded	7.28"	0.39"
10V-	Low Voltage Common	Gray			7.28"	0.39"



KTSL-FC1-UV-KO

BLUETOOTH WIRELESS FIXTURE CONTROLLER

FACTORY RESET

If a controller is assigned to another region, it will not appear when searching for new fixtures. Perform the following power cycle sequence to factory reset the controller:

1. Power on for 1 second, then off for 10 seconds.
2. Power on for 1 second, then off for 10 seconds.
3. Power on for 1 second, then off for 10 seconds.
4. Power on for 10 seconds, then off for 10 seconds.
5. Power on for 10 seconds, then off for 10 seconds.
6. Turn the fixture back on. The device should now be decommissioned and ready to add to a region.

ORDERING INFORMATION

ORDER CODE	PACK QTY.	EASY CODE	UPC
KTSL-FC1-UV-KO	24	PGZ-80	843654129242

CATALOG NUMBER BREAKDOWN

KTSL-FC1-UV-KO

- 1
- 2
- 3
- 4
- 5

- 1** Keystone Technologies SmartLoop
- 2** Fixture Controller
- 3** Design Style 1
- 4** Universal Voltage
- 5** KnockOut Installation Style