



# KTAT-375-480-277 /SF

## STEP-DOWN AUTO-TRANSFORMER



**DESCRIPTION**

Step-Down Auto-Transformer (Non-Isolated) | 480Vac or 347Vac Input | 277Vac or 200Vac Output

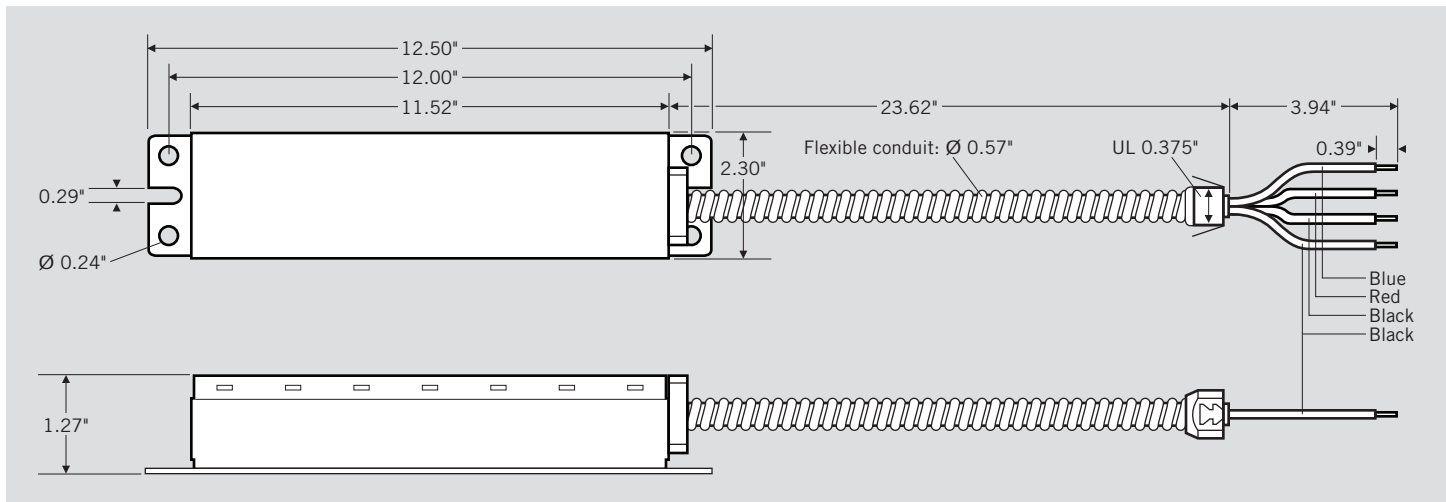
<b>INPUT VOLTAGE:</b> 480Vac ±10% / 347Vac ±10%
<b>OUTPUT VOLTAGE:</b> 277Vac @ 480Vac / 200Vac @ 347Vac
<b>MAXIMUM POWER:</b> 375VA @ 480Vac / 270VA @ 347Vac
<b>NUMBER OF OUTPUTS:</b> One
<b>SAFETY STANDARD:</b> UL 5085
<b>LOCATION:</b> IP20 for dry and damp locations
<b>WARRANTY:</b> 5 Years



**ELECTRICAL SPECIFICATIONS**

<b>Input Voltage Range</b>	480Vac ±10% / 347Vac ±10%
<b>Frequency</b>	60 Hz
<b>Max. Input Current</b>	0.86A @480V with 100% load condition/0.21A @480V with open load condition
<b>Efficiency</b>	93% typical
<b>No Load Power Consumption</b>	<10W
<b>Withstand Voltage</b>	Input to output, 2,000Vac, 10mA
<b>Sound Rated</b>	A
<b>Protection</b>	Thermally protected
<b>UL/cUL</b>	UL 5085 listed
<b>Maximum Case Temperature</b>	105°C/221°F

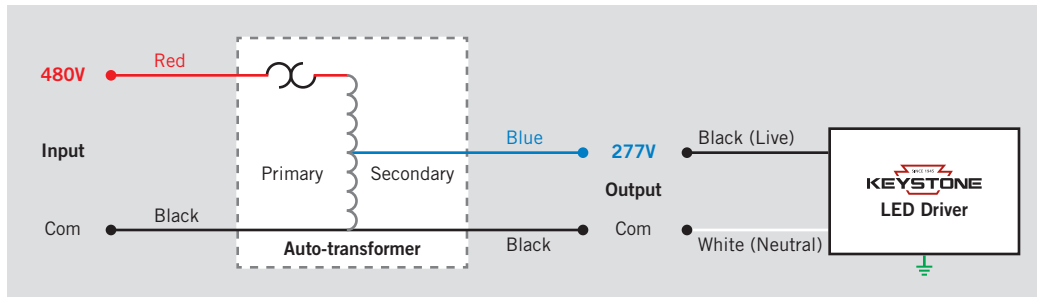
**PHYSICAL SPECIFICATIONS**



# KTAT-375-480-277 /SF

## STEP-DOWN AUTO-TRANSFORMER

### WIRING DIAGRAM



**Notes:**

Wiring for 3-phase Wye (or Star) power supply: connect any two phase wires to auto-transformer input.

Wiring for 3-phase Delta power supply with proper grounding: connect 480V and ground reference legs to auto-transformer input.

### WIRING SPECIFICATIONS

Input	Red	14", UL 1316, #14AWG
	Black	
Output	Blue	14", UL 1316, #14AWG
	Black	

### PACKAGING

5.88 lbs/unit; 6 pcs/carton; 336 pcs/pallet	
Box/Carton Size	20.4" × 8.7" × 5.3"
Carton Weight	35.27 lbs
Case Material	Metal

### ORDERING INFORMATION

ORDER CODE	PACK QUANTITY	ITEM STATUS
KTAT-375-480-277 /SF	6	Quick Ship

### CATALOG NUMBER BREAKDOWN

# KTAT-375-480-277 /SF

1

2

3

4

5

- 1 Keystone Technologies Auto-Transformer
- 2 Max. Power (VA)
- 3 Input Voltage
- 4 Output Voltage
- 5 Single-Flex