

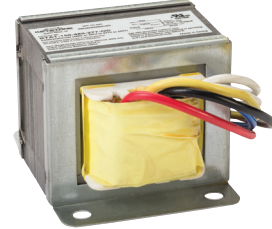


# KTAT-150-480-277-0C

## STEP DOWN AUTO-TRANSFORMER

### DESCRIPTION

Auto-transformer (Non-Isolated) | 480-347V Input | 277V Output



**INPUT VOLTAGE:** 480/347Vac  $\pm$  10%

**INPUT FREQUENCY:** 50/60 Hz

**MAXIMUM POWER:** 150VA

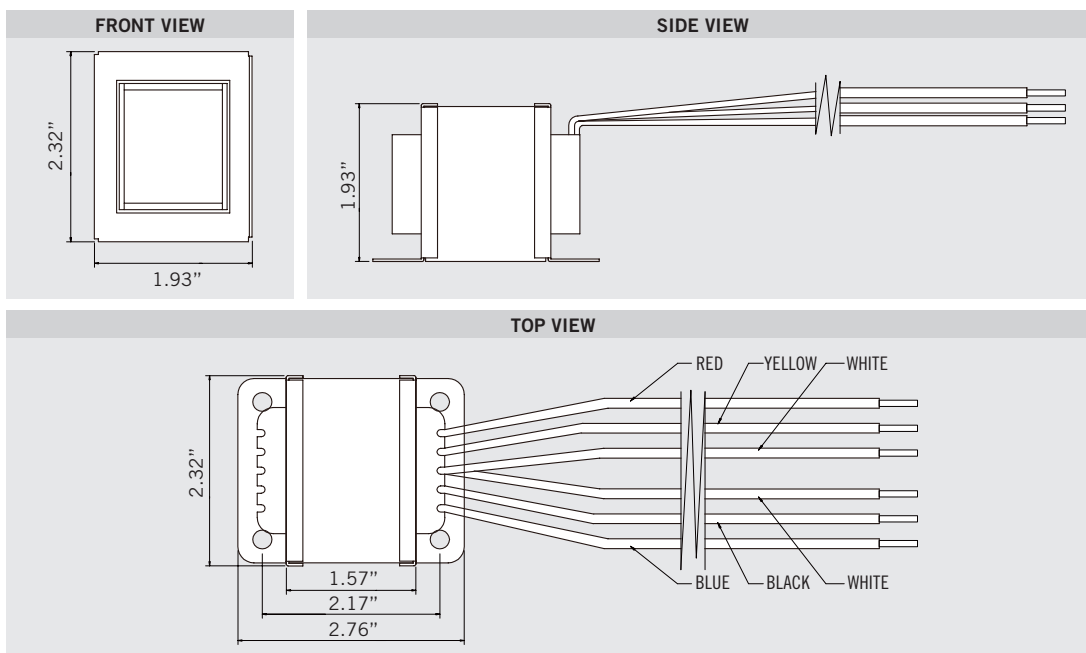
**WARRANTY:** 5 Years

### ELECTRICAL SPECIFICATIONS

Input Voltage Range	480/347Vac $\pm$ 10%
Frequency	50/60 Hz
Output Characteristics	150VA @277V output, 125VA @240V output
Max. Input Current	0.33A @480V with 100% load condition / 0.051A @480V with open load condition 0.45A @347V with 100% load condition / 0.061A @347V with open load condition
Efficiency	95% typical
No Load Power Consumption	<8W
Withstand Voltage	Input to output, 2,000Vac, 10mA
Sound Rated	A
UL/cUL	UL 5085
Maximum Case Temperature	105°C/221°F

### PHYSICAL SPECIFICATIONS

Length	2.76"	Mounting	2.17"
Width	2.32"	Unit Weight	1.95 lbs
Height	1.93"	Case Material	Metal





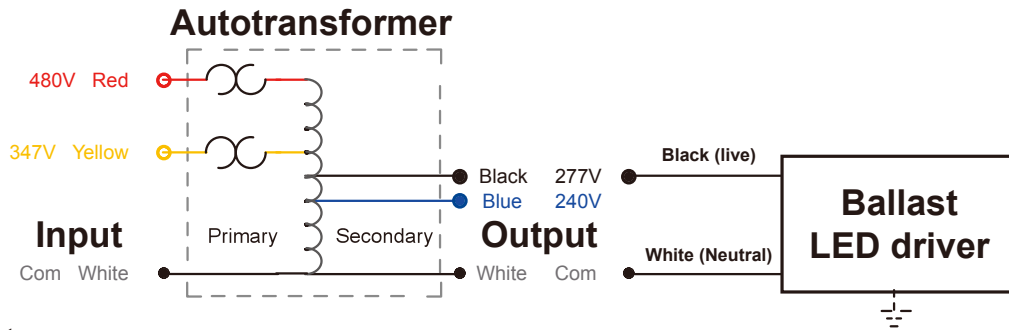
# KTAT-150-480-277-OC

## STEP DOWN AUTO-TRANSFORMER

### WIRING SPECIFICATIONS

<b>Input</b>	14", UL 1316 #18AWG (red, yellow and white)
<b>Output</b>	14", UL 1316 #18AWG (black, blue and white)

### WIRING DIAGRAM



**Note:**  
 Wiring for 3-Phase Wye (or star) power supply, connect any two phase wires to Autotransformer input.  
 Wiring for 3-Phase Delta power supply with proper grounding, connect 480V and ground reference legs to Autotransformer input.

### ORDERING INFORMATION

Order Code	Packaging Style	Pack Quantity	Item Status
KTAT-150-480-277-OC-CP	Carton Pack	18	Quick Ship

### PACKAGING

<b>Carton Size</b>	11" x 8.6" x 4.7"
<b>Carton Weight</b>	35 lb

### CATALOG NUMBER BREAKDOWN

