

**KT-WPLEDXXPS-M5-8CSB-VDIM**  
FULL CUTOFF WALL PACK WITH CHANGEABLE SHELL ACCESSORIES

**DESCRIPTION**

Full Cutoff Wall Pack | Compatible with FormFit Accessories | Power Select | Color Select | 120-277V

**APPLICATION**

Building mount for exterior illumination (perimeters, pathways, loading docks, and other general and aesthetic lighting requirements)

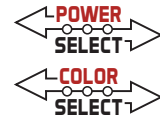


**PRODUCT FEATURES**

- Keystone Power Select technology (see Performance Specifications for details)
- Keystone Color Select technology (3000/4000/5000K)
- Full cutoff wall pack that covers distribution pattern of legacy HID wall packs
- Compatible with two styles of easy-to-install slip-on shells (quarter sphere or half moon) in a variety of colors
- Built-in dusk-to-dawn infrared photocell
- Powered by Keystone 0-10V dimming LED driver
- Ambient operating temperature: -40°C/-40°F to 50°C/122°F
- UL Certified for wet locations; IP65 rated
- Fixture impact rating IK08
- Power Factor: > 0.95
- THD: < 20%
- LED chip lifetime: L70 >100,000 hrs @ 25°C/77°F ambient fixture temperature
- Meets FCC Part 15, Part B, Class A standards for conducted and radiated emissions



(Performance Specifications continued on next page)


**XFIT**
**FormFIT**


# KT-WPLEDXXPS-M5-8CSB-VDIM

## FULL CUTOFF WALL PACK WITH CHANGEABLE SHELL ACCESSORIES

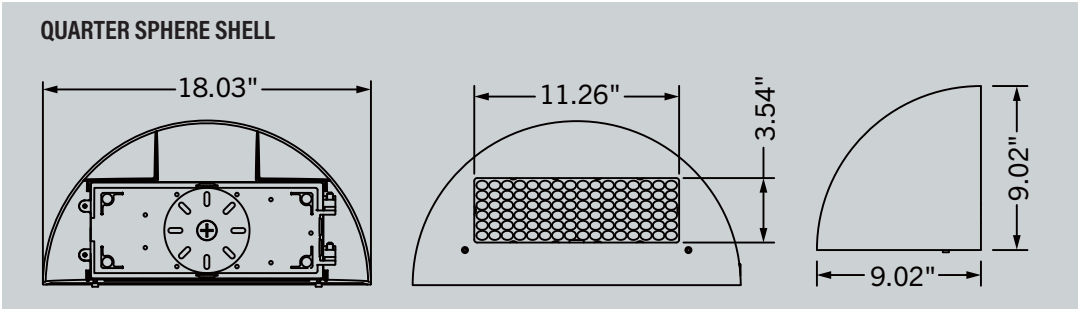
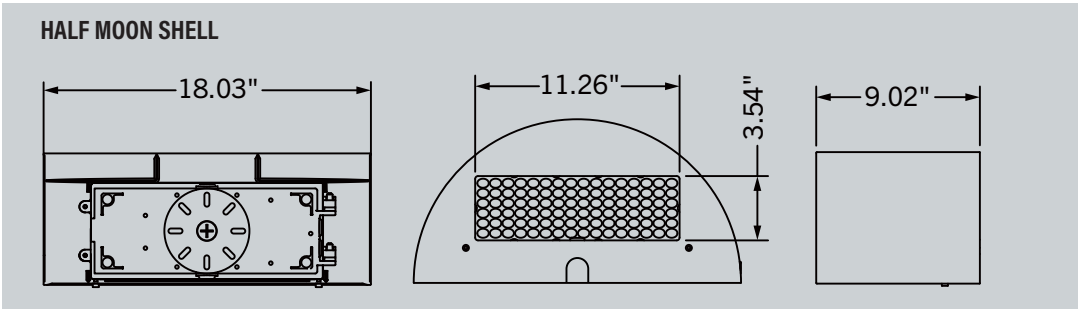
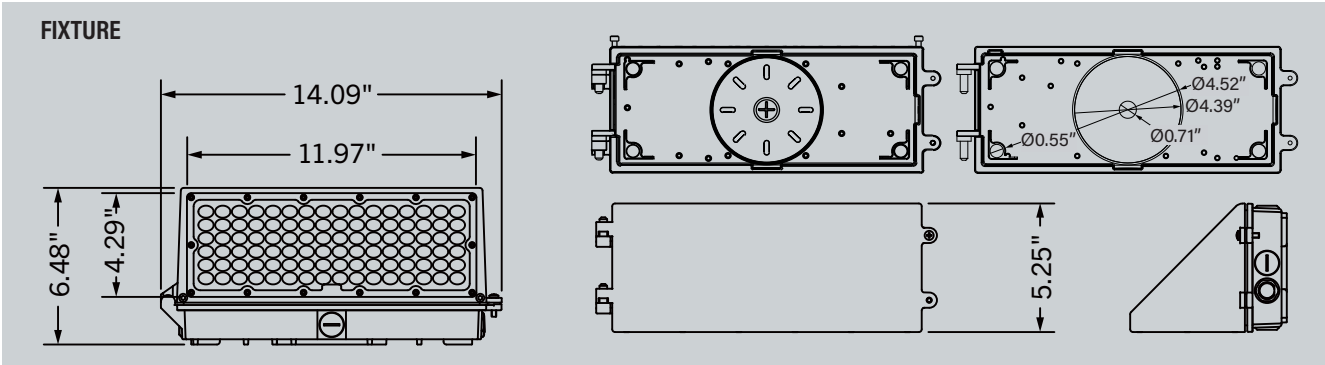
### PERFORMANCE SPECIFICATIONS

Catalog Number	Selectable Wattage	Selectable CCT	Lumens	Efficacy	Input Voltage	CRI	Photocell	Rated Life	Legacy Equivalent
KT-WPLED80PS-M5-8CSB-VDIM	80W	3000K	10,548	132 lm/W	120-277V	> 80	Included	50,000 hrs	250W MH
		4000K	11,681	146 lm/W					
		5000K	11,366	142 lm/W					
	70W	3000K	9,440	135 lm/W					
		4000K	10,323	147 lm/W					
		5000K	10,101	144 lm/W					
	55W	3000K	7,813	142 lm/W					
		4000K	8,515	155 lm/W					
		5000K	8,380	152 lm/W					
KT-WPLED55PS-M5-8CSB-VDIM	55W	3000K	7,260	132 lm/W	120-277V	> 80	Included	50,000 hrs	200WMH
		4000K	8,195	149 lm/W					
		5000K	7,700	140 lm/W					
	45W	3000K	6,075	135 lm/W					
		4000K	6,840	152 lm/W					
		5000K	6,525	145 lm/W					
	35W	3000K	4,795	137 lm/W					
		4000K	5,425	155 lm/W					
		5000K	5,180	148 lm/W					
KT-WPLED35PS-M5-8CSB-VDIM	35W	3000K	4,550	130 lm/W	120-277V	> 80	Included	50,000 hrs	150W MH
		4000K	5,110	146 lm/W					
		5000K	4,900	140 lm/W					
	25W	3000K	3,350	134 lm/W					
		4000K	3,775	151 lm/W					
		5000K	3,625	145 lm/W					
	15W	3000K	2,070	138 lm/W					
		4000K	2,340	156 lm/W					
		5000K	2,235	149 lm/W					

# KT-WPLEDXXPS-M5-8CSB-VDIM

## FULL CUTOFF WALL PACK WITH CHANGEABLE SHELL ACCESSORIES

**PHYSICAL SPECIFICATIONS**



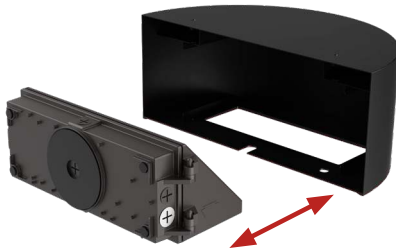
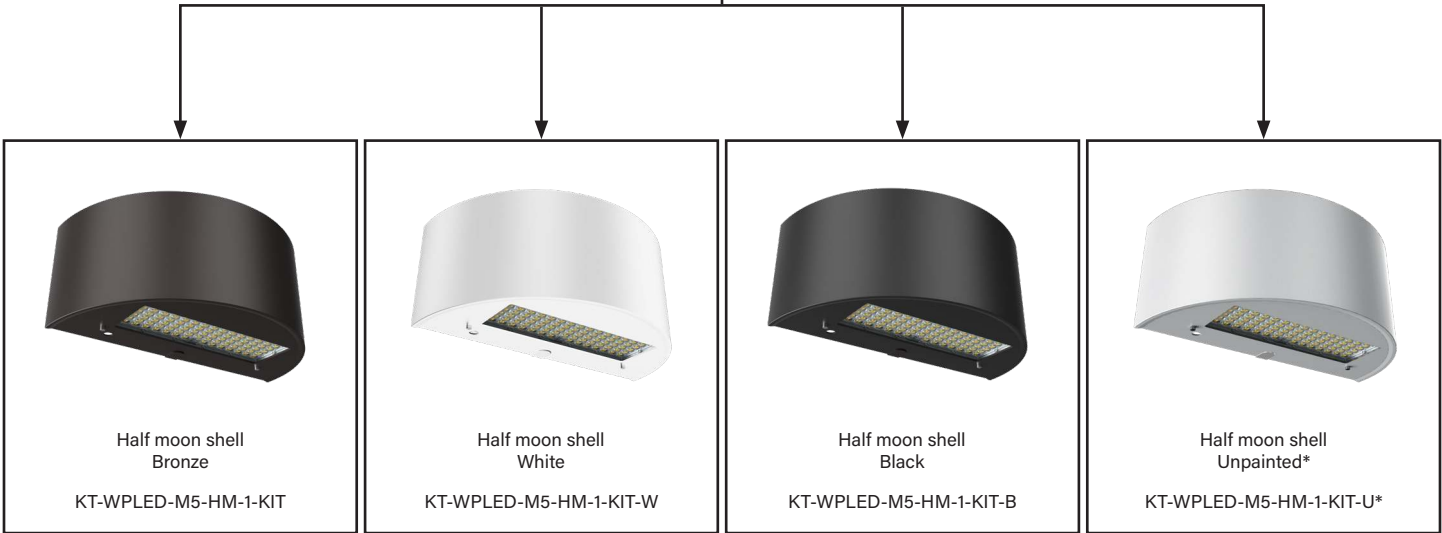
**PACKAGING DIMENSIONS**

Catalog Number	Carton Dimensions	Carton Weight
KT-WPLEDXXPS-M5-8CSB-VDIM	16.34" x 13.00" x 8.11"	8.18 lbs
KT-WPLED-M5-HM-1-KIT-X	19.29" x 10.24" x 8.46"	6.39 lbs
KT-WPLED-M5-QS-1-KIT-X	19.29" x 10.24" x 10.24"	5.07 lbs

**KT-WPLEDXXPS-M5-8CSB-VDIM**  
FULL CUTOFF WALL PACK WITH CHANGEABLE SHELL ACCESSORIES

**FORMFIT ACCESSORIES**

**HALF MOON SHELL**



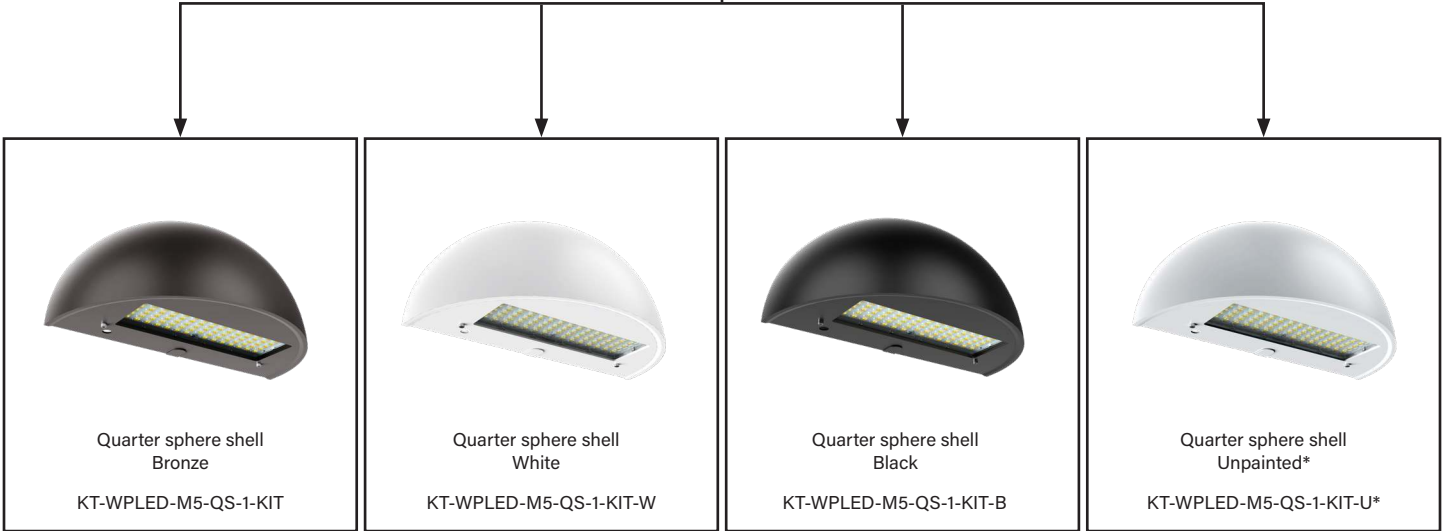
\* Shell is unpainted. Custom colors available. Must provide specific Pantone or RAL number. Lead times apply

(Accessories continued on next page)

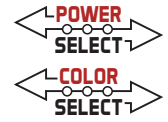
**KT-WPLEDXXPS-M5-8CSB-VDIM**  
FULL CUTOFF WALL PACK WITH CHANGEABLE SHELL ACCESSORIES

**FORMFIT ACCESSORIES (CONTINUED)**

**QUARTER SPHERE SHELL**



\* Shell is unpainted. Custom colors available. Must provide specific Pantone or RAL number. Lead times apply



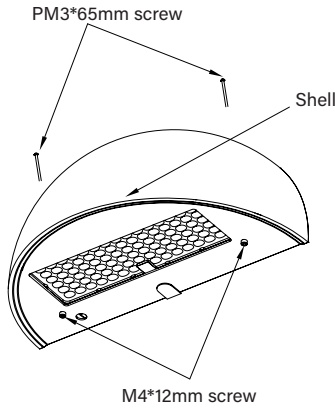
# KT-WPLEDXXPS-M5-8CSB-VDIM

FULL CUTOFF WALL PACK WITH CHANGEABLE SHELL ACCESSORIES

## FORMFIT SHELL INSTALLATION (SOLD SEPARATELY)

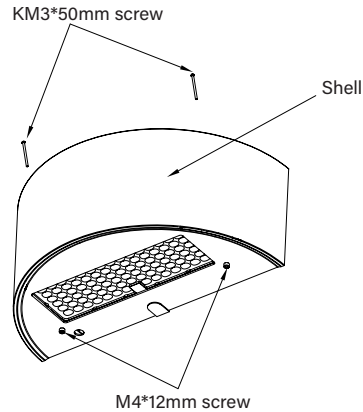
### HALF MOON SHELL

Slide the half moon shell onto the full cutoff wall pack and tighten the (2) KM3\*50mm screws (top of shell) and (2) M4\*12mm screws (bottom of shell).



### QUARTER SPHERE SHELL

Slide the quarter sphere shell onto the full cutoff wall pack and tighten the (2) PM3\*65mm screws (top of shell) and (2) M4\*12mm screws (bottom of shell).



## WATTAGE, CCT, AND PHOTOCELL ADJUSTMENT



**Note:** Fixtures are factory preset to their highest wattage and CCT values. Photocell preset to: OFF


**XFIT**
**FormFIT**


# KT-WPLEDXXPS-M5-8CSB-VDIM

## FULL CUTOFF WALL PACK WITH CHANGEABLE SHELL ACCESSORIES

### ACCESSORIES

Field-Installable / Field-Use ONLY (purchased separately)

CATALOG NUMBER	DESCRIPTION	HOUSING COLOR	UPC	EASY CODE
KT-WPLED-M5-HM-1-KIT	Half moon shell   Used on series 5 full cutoff wall packs	Bronze	843654162515	HEF-83
KT-WPLED-M5-HM-1-KIT-W	Half moon shell   Used on series 5 full cutoff wall packs	White	843654162539	VFS-17
KT-WPLED-M5-HM-1-KIT-B	Half moon shell   Used on series 5 full cutoff wall packs	Black	843654162522	ITM-37
KT-WPLED-M5-HM-1-KIT-U*	Half moon shell   Used on series 5 full cutoff wall packs	Unpainted	843654162546	CEB-42
KT-WPLED-M5-QS-1-KIT	Quarter sphere shell   Used on series 5 full cutoff wall packs	Bronze	843654162478	UHK-82
KT-WPLED-M5-QS-1-KIT-W	Quarter sphere shell   Used on series 5 full cutoff wall packs	White	843654162492	USH-81
KT-WPLED-M5-QS-1-KIT-B	Quarter sphere shell   Used on series 5 full cutoff wall packs	Black	843654162485	VIV-91
KT-WPLED-M5-QS-1-KIT-U*	Quarter sphere shell   Used on series 5 full cutoff wall packs	Unpainted	843654162508	HLM-26

\* Shell is unpainted. Custom colors available. Must provide specific Pantone or RAL number. Lead times apply

### ORDERING INFORMATION

CATALOG NUMBER	UPC	EASY CODE	DLC PRODUCT ID
KT-WPLED80PS-M5-8CSB-VDIM	843654162447	CNO-58	TBD
KT-WPLED55PS-M5-8CSB-VDIM	843654162454	CDP-56	TBD
KT-WPLED35PS-M5-8CSB-VDIM	843654162461	LWX-90	TBD

### CATALOG NUMBER BREAKDOWN

# KT-WPLEDXXPS-M5-8CSB-VDIM

1 2 3 4 5 6 7 8 9 10 11

- 1 Keystone Technologies
- 2 Fixture Type
- 3 LED Fixture
- 4 Max Wattage
- 5 Power Select
- 6 Size

- 7 Shape
- 8 CRI
- 9 Color Select
- 10 Color Select Designation
- 11 Dimming

#### 2 Fixture Type

WP Wall Pack

#### 8 CRI

8 > 80

#### 6 Size

M Medium

#### 10 Color Select Designation

B 3000/4000/5000K

#### 7 Shape

5 Series 5

#### 11 Dimming

VDIM 0-10V