



# SIGN BASE STATION

## KT-SMB-HID1-E39

### SIGN BASE STATION

**DESCRIPTION**

Sign Base Station | Mounting Box

**APPLICATION**

For use with sign cabinet over 30" wide

Designed for use with:

KT-LED80HID-EX39-8XX-D /G2 and KT-LED100HID-EX39-8XX-D /G2



KT-LED80HID-EX39-8XX-D /G2    KT-LED100HID-EX39-8XX-D /G2  
\* Lamps sold separately

**INSTRUCTIONS**

Recommended quantity and HID lamp/SMB unit placement.

**FOR SIGNS 30–36" DEEP**

- Install **KT-LED80HID-EX39-8XX-D /G2** lamps in **KT-SMB-HID1-E39** and place so lamps illuminate at approximately every 2–3' width and height.

*Example 1*

Rectangular sign 32" deep x 12' wide x 6' high: (8) units recommended; (4 columns x 2 rows)

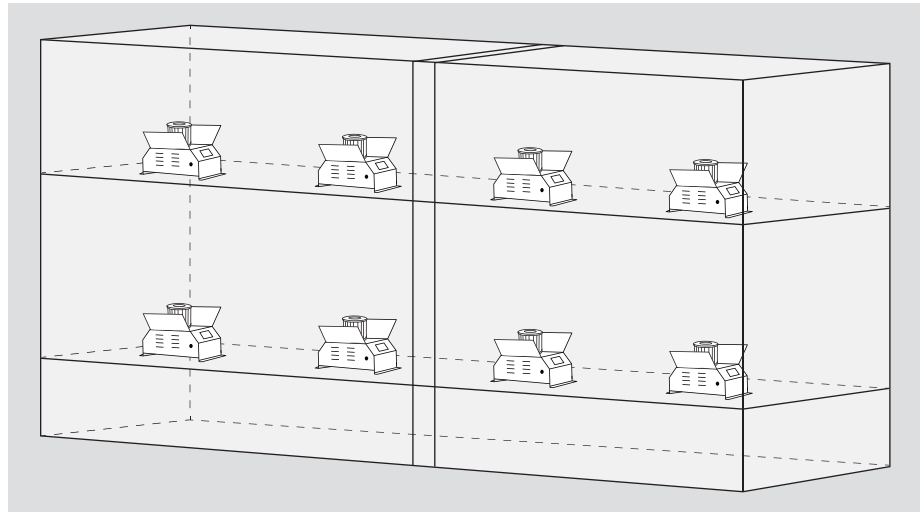
**FOR SIGNS 36–48" DEEP**

- Install **KT-LED100HID-EX39-8XX-D /G2** lamps in **KT-SMB-HID1-E39** and place so lamps illuminate at approximately every 2–3' width and 3–4' height.

*Example 2*

Rectangular sign 42" deep x 20' wide x 10' high: (12) units recommended; (6 columns x 2 rows)

**SIGN MOUNT SPACING**

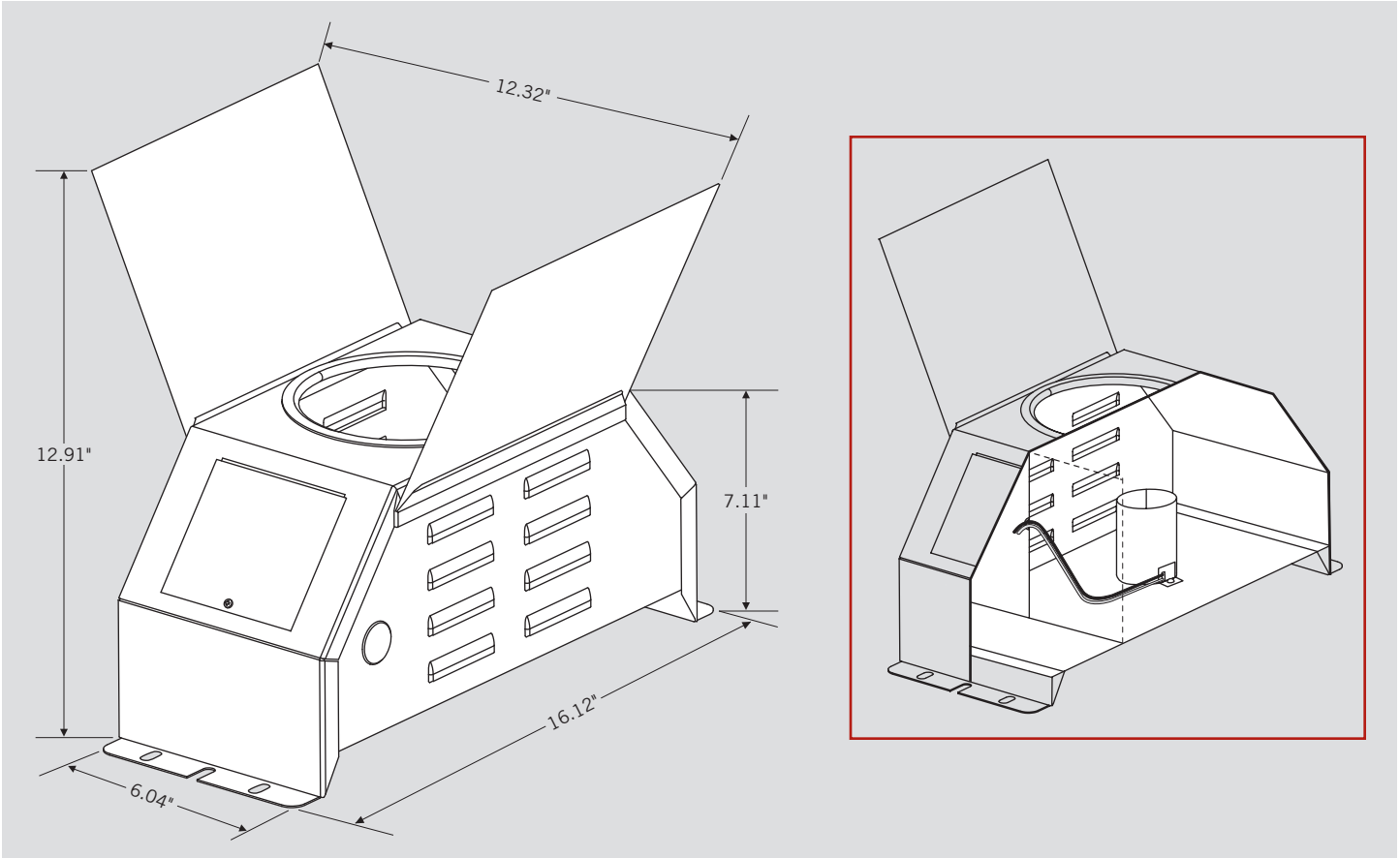


**ADDITIONAL CONSIDERATIONS**

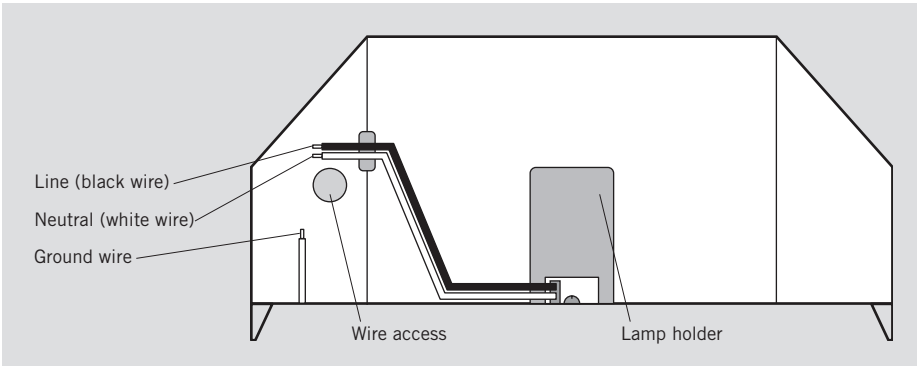
- Center the Sign Mount Box units halfway between sign face and back of sign (depth).
- If sign has center support pole, additional units may be needed. Ensure even number of units on either side of pole.
- All recommendations are for reference only; actual applications may vary dependent on sign construction and graphics. For additional assistance or for non-rectangular signs, contact Keystone Technologies at 1-800-464-2680.

## KT-SMB-HID1-E39 SIGN BASE STATION

### PHYSICAL SPECIFICATIONS



### WIRING



NOTE: For use only with Keystone KT-LED80HID-EX39-8XX-D /G2 and KT-LED100HID-EX39-8XX-D /G2 lamps