

KT-LEDXXPSWD-XX-9CSF-DIM

LED WAFER DOWNLIGHT RETROFIT

DESCRIPTION

4" or 6" Wafer Downlight Retrofit Trim |
Power Select | Color Select | Quick-Disconnect
E26 Base

APPLICATION

Ideal for residential, hospitality, retail, office, and other retrofit and remodel construction applications



PRODUCT FEATURES

- Keystone Power Select technology (see *Performance Specifications* for details)
- Keystone Color Select technology (2700/3000/3500/4000/5000K)
- Includes quick-disconnect E26 base adaptor for easy install in retrofit applications
- Improved aesthetics vs. legacy trims while using the same, easy, screw-in installation
- Ideal for retrofit and remodel applications
- Suitable for a wide range of existing recessed can fixtures
- Various styles available (slim, regressed smooth, and regressed baffled)
- Diffused lens reduces glare
- Powered by Keystone TRIAC dimming LED driver; 10–100% dimming
- Ambient operating temperature: –20°C/–4°F to 40°C/104°F
- Suitable for use in wet locations
- Power factor: >0.90
- THD: <20%
- FCC Part 15, Subpart B, Class B
- CEC Compliant Flicker Rate (CEC JA10 std.)
- Compliant with ENERGY STAR Downlights v1.0 requirements

PERFORMANCE SPECIFICATIONS

Catalog Number	Size	Style	Selectable Wattage	Selectable CCT *	Lumens	Efficacy	Input Voltage	Dimmable	CRI	Rated Life
KT-LED10PSWD-4A-9CSF-DIM	4"	Slim	10W	2700K	840	84 lm/W	120V	TRIAC	> 90	50,000 hrs
				3000K	870	87 lm/W				
				3500K	885	89 lm/W				
				4000K	877	88 lm/W				
				5000K	841	84 lm/W				
			8W	2700K	690	86 lm/W				
				3000K	700	88 lm/W				
				3500K	711	89 lm/W				
				4000K	705	88 lm/W				
				5000K	691	86 lm/W				
			6W	2700K	530	88 lm/W				
				3000K	540	90 lm/W				
				3500K	548	91 lm/W				
				4000K	542	90 lm/W				
				5000K	531	89 lm/W				

*Preset to lowest CCT: 2700K
Color Uniformity: CCT (Correlated Color Temperature) range as per guidelines outlined in ANSI C78.377-2017

(Performance Specifications continue on next page)



KT-LEDXXPSWD-XX-9CSF-DIM

LED WAFER DOWNLIGHT RETROFIT

PERFORMANCE SPECIFICATIONS (continued)

Catalog Number	Size	Style	Selectable Wattage	Selectable CCT *	Lumens	Efficacy	Input Voltage	Dimmable	CRI	Rated Life
KT-LED10PSWD-4B-9CSF-DIM	4"	Regressed Smooth	10W	2700K	840	84 lm/W	120V	TRIAC	> 90	50,000 hrs
				3000K	870	87 lm/W				
				3500K	885	89 lm/W				
				4000K	877	88 lm/W				
				5000K	841	84 lm/W				
			8W	2700K	690	86 lm/W				
				3000K	700	88 lm/W				
				3500K	711	89 lm/W				
				4000K	705	88 lm/W				
				5000K	691	86 lm/W				
			6W	2700K	530	88 lm/W				
				3000K	540	90 lm/W				
				3500K	548	91 lm/W				
				4000K	542	90 lm/W				
				5000K	531	89 lm/W				
KT-LED10PSWD-4BB-9CSF-DIM	4"	Regressed Baffled	10W	2700K	835	84 lm/W	120V	TRIAC	> 90	50,000 hrs
				3000K	865	87 lm/W				
				3500K	880	88 lm/W				
				4000K	872	87 lm/W				
				5000K	836	84 lm/W				
			8W	2700K	685	86 lm/W				
				3000K	695	87 lm/W				
				3500K	706	88 lm/W				
				4000K	700	88 lm/W				
				5000K	686	86 lm/W				
			6W	2700K	525	88 lm/W				
				3000K	535	89 lm/W				
				3500K	543	91 lm/W				
				4000K	537	90 lm/W				
				5000K	526	88 lm/W				

*Preset to lowest CCT: 2700K

Color Uniformity: CCT (Correlated Color Temperature) range as per guidelines outlined in ANSI C78.377-2017

(Performance Specifications continue on next page)



KT-LEDXXPSWD-XX-9CSF-DIM

LED WAFER DOWNLIGHT RETROFIT

PERFORMANCE SPECIFICATIONS (continued)

Catalog Number	Size	Style	Selectable Wattage	Selectable CCT *	Lumens	Efficacy	Input Voltage	Dimmable	CRI	Rated Life
KT-LED15PSWD-6A-9CSF-DIM	6"	Slim	15W	2700K	1305	87 lm/W	120V	TRIAC	> 90	50,000 hrs
				3000K	1340	89 lm/W				
				3500K	1375	92 lm/W				
				4000K	1365	91 lm/W				
				5000K	1315	88 lm/W				
			13W	2700K	1155	89 lm/W				
				3000K	1185	91 lm/W				
				3500K	1215	93 lm/W				
				4000K	1205	93 lm/W				
				5000K	1165	90 lm/W				
			11W	2700K	955	87 lm/W				
				3000K	975	89 lm/W				
				3500K	995	90 lm/W				
				4000K	985	90 lm/W				
				5000K	965	88 lm/W				
KT-LED15PSWD-6B-9CSF-DIM	6"	Regressed Smooth	15W	2700K	1305	87 lm/W	120V	TRIAC	> 90	50,000 hrs
				3000K	1340	89 lm/W				
				3500K	1375	92 lm/W				
				4000K	1365	91 lm/W				
				5000K	1315	88 lm/W				
			13W	2700K	1155	89 lm/W				
				3000K	1185	91 lm/W				
				3500K	1215	93 lm/W				
				4000K	1205	93 lm/W				
				5000K	1165	90 lm/W				
			11W	2700K	955	87 lm/W				
				3000K	975	89 lm/W				
				3500K	995	90 lm/W				
				4000K	985	90 lm/W				
				5000K	965	88 lm/W				

*Preset to lowest CCT: 2700K

Color Uniformity: CCT (Correlated Color Temperature) range as per guidelines outlined in ANSI C78.377-2017

(Performance Specifications continue on next page)



KT-LEDXXPSWD-XX-9CSF-DIM

LED WAFER DOWNLIGHT RETROFIT

PERFORMANCE SPECIFICATIONS (continued)

Catalog Number	Size	Style	Selectable Wattage	Selectable CCT *	Lumens	Efficacy	Input Voltage	Dimmable	CRI	Rated Life
KT-LED15PSWD-6BB-9CSF-DIM	6"	Regressed Baffled	15W	2700K	1300	87 lm/W	120V	TRIAC	> 90	50,000 hrs
				3000K	1335	89 lm/W				
				3500K	1370	91 lm/W				
				4000K	1360	91 lm/W				
				5000K	1310	87 lm/W				
			13W	2700K	1150	88 lm/W				
				3000K	1180	91 lm/W				
				3500K	1210	93 lm/W				
				4000K	1200	92 lm/W				
				5000K	1160	89 lm/W				
			11W	2700K	950	86 lm/W				
				3000K	970	88 lm/W				
				3500K	990	90 lm/W				
				4000K	980	89 lm/W				
				5000K	960	87 lm/W				

*Preset to lowest CCT: 2700K

Color Uniformity: CCT (Correlated Color Temperature) range as per guidelines outlined in ANSI C78.377-2017



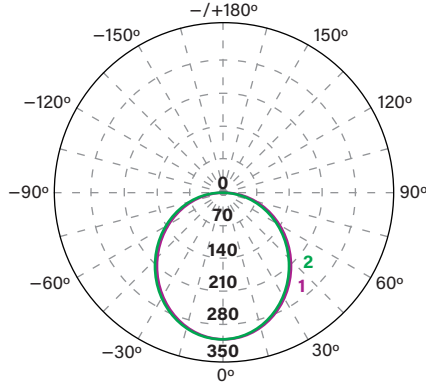
KT-LEDXXPSWD-XX-9CSF-DIM

LED WAFER DOWNLIGHT RETROFIT

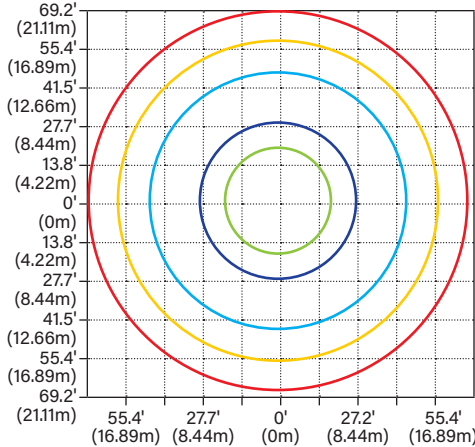
PHOTOMETRIC SPECIFICATIONS

KT-LED10PSWD-4A-9CSF-DIM

Luminous Intensity Distribution



Mounting Height Distribution

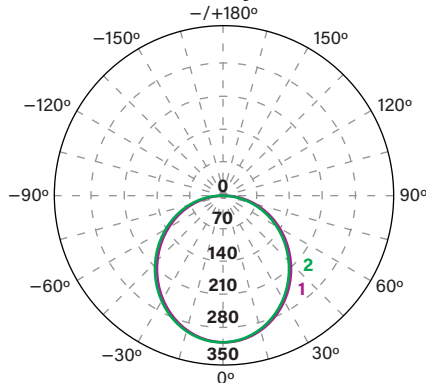


Mounting Height: **33.00' (10.0m)**

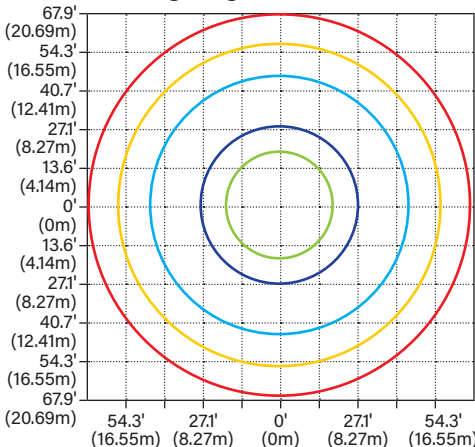
3%	0.09381x	0.008716 fc
5%	0.15641x	0.01453 fc
10%	0.31271x	0.02905 fc
30%	0.93821x	0.08716 fc
50%	1.5641x	0.1453 fc

KT-LED10PSWD-4B-9CSF-DIM

Luminous Intensity Distribution



Mounting Height Distribution

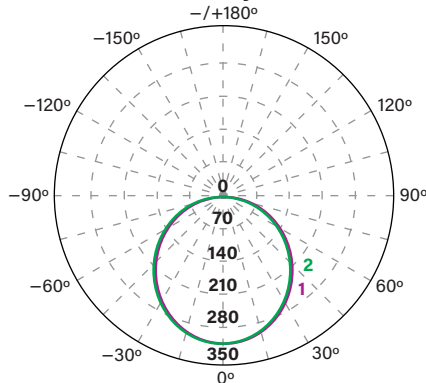


Mounting Height: **33.00' (10.0m)**

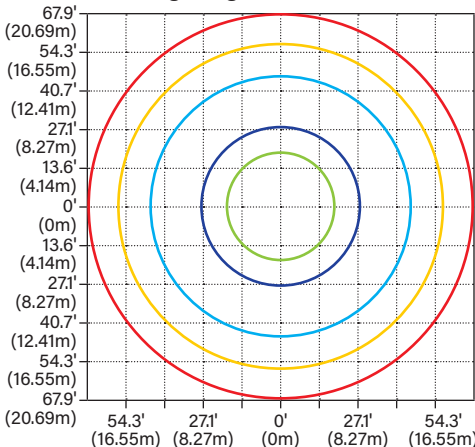
3%	0.09571x	0.008893 fc
5%	0.15951x	0.01482 fc
10%	0.31911x	0.02964 fc
30%	0.95731x	0.08893 fc
50%	1.5951x	0.1482 fc

KT-LED10PSWD-4BB-9CSF-DIM

Luminous Intensity Distribution



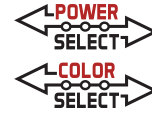
Mounting Height Distribution



Mounting Height: **33.00' (10.0m)**

3%	0.09431x	0.008756 fc
5%	0.15711x	0.01459 fc
10%	0.31421x	0.02919 fc
30%	0.94251x	0.08756 fc
50%	1.5711x	0.1459 fc

(Photometric Specifications continue on next page)



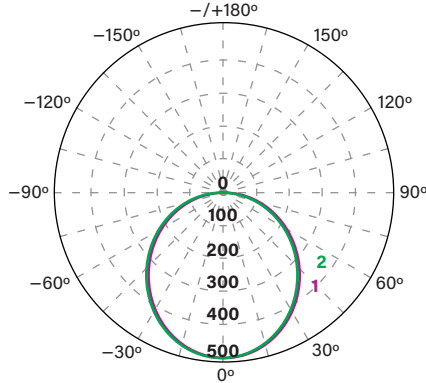
KT-LEDXXPSWD-XX-9CSF-DIM

LED WAFER DOWNLIGHT RETROFIT

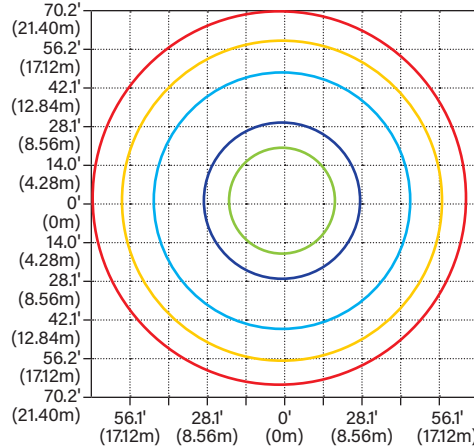
PHOTOMETRIC SPECIFICATIONS (continued)

KT-LED15PSWD-6A-9CSF-DIM

Luminous Intensity Distribution



Mounting Height Distribution

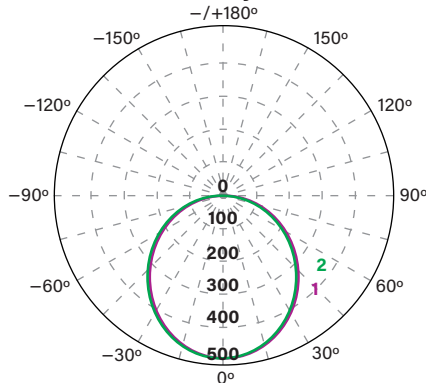


Mounting Height: **33.00' (10.0m)**

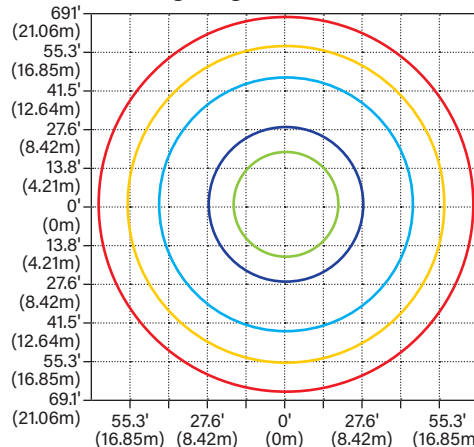
3%	0.14621x	0.01358 fc
5%	0.24371x	0.02264 fc
10%	0.48731x	0.04527 fc
30%	1.4621x	0.1358 fc
50%	2.4371x	0.2264 fc

KT-LED15PSWD-6B-9CSF-DIM

Luminous Intensity Distribution



Mounting Height Distribution

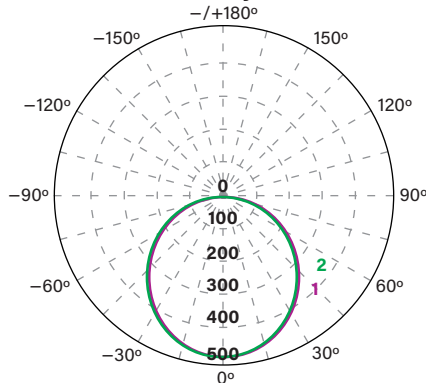


Mounting Height: **33.00' (10.0m)**

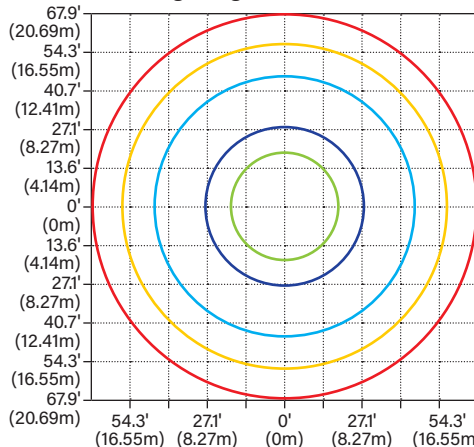
3%	0.14441x	0.01341 fc
5%	0.24061x	0.02235 fc
10%	0.48121x	0.04471 fc
30%	1.4441x	0.1341 fc
50%	2.4061x	0.2235 fc

KT-LED15PSWD-6BB-9CSF-DIM

Luminous Intensity Distribution



Mounting Height Distribution



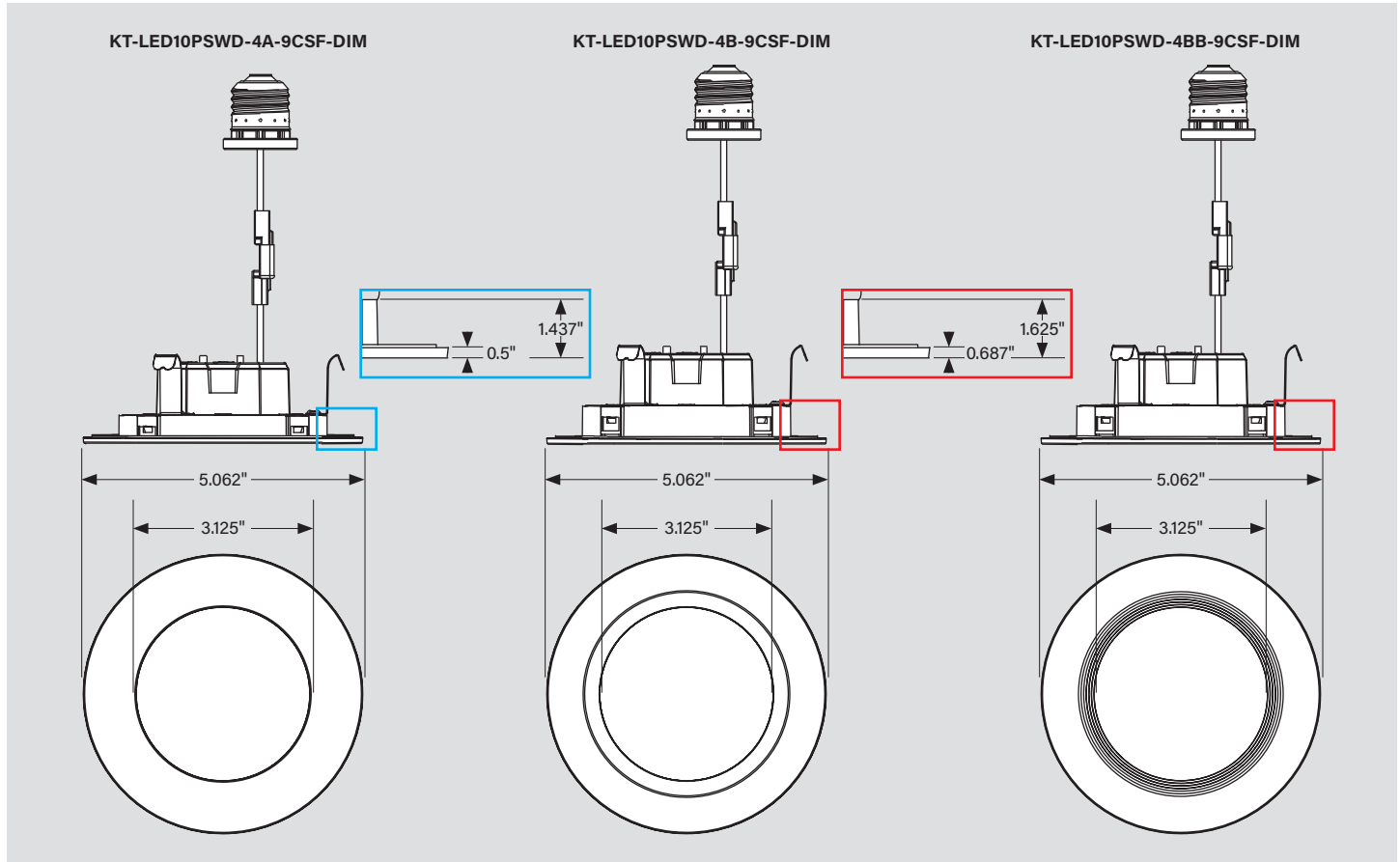
Mounting Height: **33.00' (10.0m)**

3%	0.14531x	0.0135 fc
5%	0.24221x	0.0225 fc
10%	0.48451x	0.04501 fc
30%	1.4531x	0.135 fc
50%	2.4221x	0.225 fc

KT-LEDXXPSWD-XX-9CSF-DIM

LED WAFER DOWNLIGHT RETROFIT

PHYSICAL SPECIFICATIONS
4" RETROFIT TRIM WAFERS



Master Carton Specifications: 4" Retrofit Trim Wafers

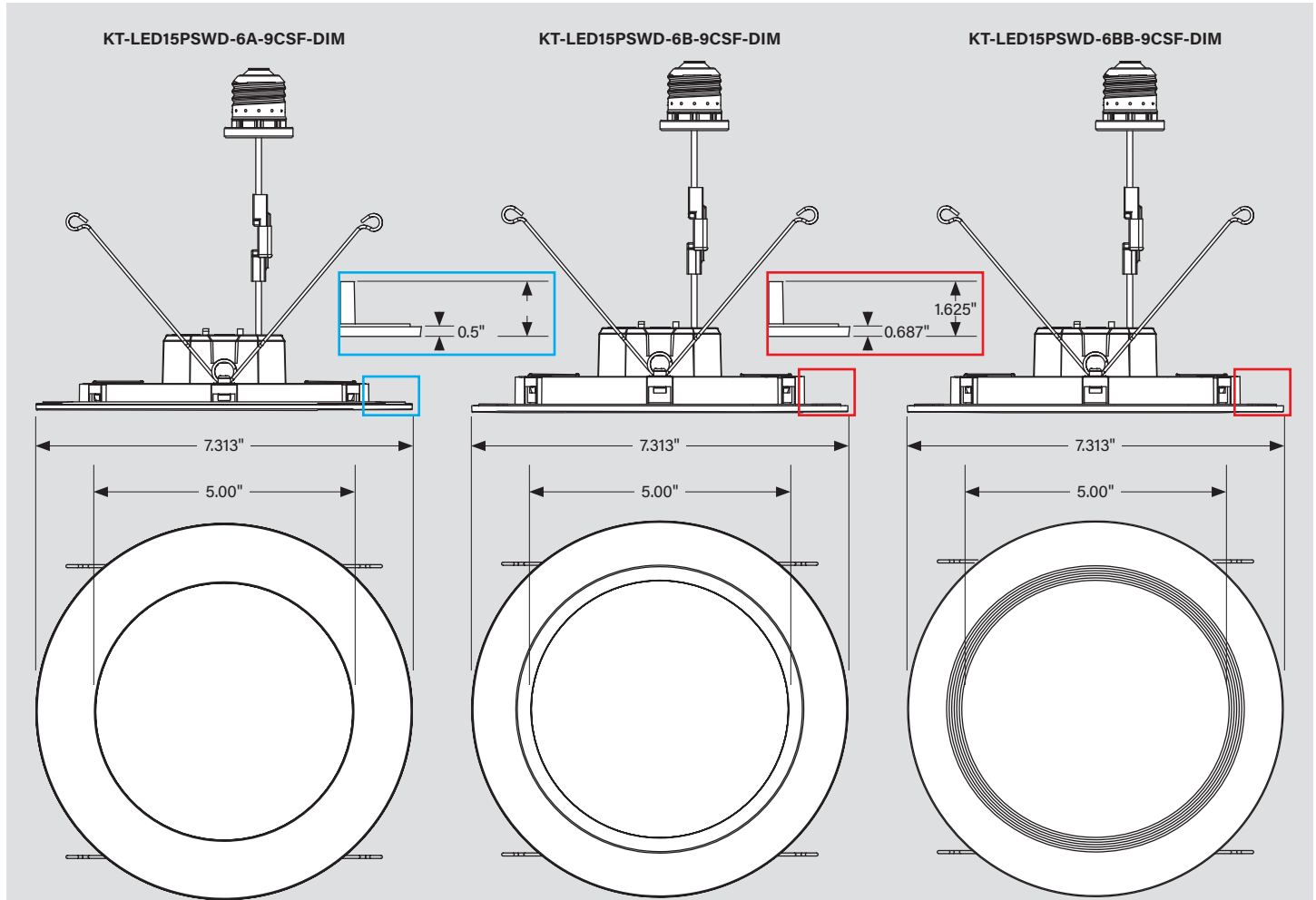
Catalog Number	Quantity	Gross Weight	Length	Width	Height
KT-LED10PSWD-4A-9CSF-DIM					
KT-LED10PSWD-4A-9CSF-DIM	12	26.46 lbs	12.36"	10.55"	5.59"
KT-LED10PSWD-4B-9CSF-DIM					
KT-LED10PSWD-4B-9CSF-DIM	12	26.46 lbs	13.31"	10.55"	5.59"
KT-LED10PSWD-4BB-9CSF-DIM					
KT-LED10PSWD-4BB-9CSF-DIM	12	26.46 lbs	13.31"	10.55"	5.59"

(Physical Specifications continue on next page)

KT-LEDXXPSWD-XX-9CSF-DIM

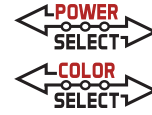
LED WAFER DOWNLIGHT RETROFIT

PHYSICAL SPECIFICATIONS (continued)
6" RETROFIT TRIM WAFERS



Master Carton Specifications: 6" Retrofit Trim Wafers

Catalog Number	Quantity	Gross Weight	Length	Width	Height
KT-LED10PSWD-4A-9CSF-DIM					
KT-LED15PSWD-6A-9CSF-DIM	12	26.46 lbs	15.35"	11.42"	8.58"
KT-LED10PSWD-4B-9CSF-DIM					
KT-LED15PSWD-6B-9CSF-DIM	12	26.46 lbs	15.35"	12.36"	8.58"
KT-LED10PSWD-4BB-9CSF-DIM					
KT-LED15PSWD-6BB-9CSF-DIM	12	26.46 lbs	15.35"	12.36"	8.58"



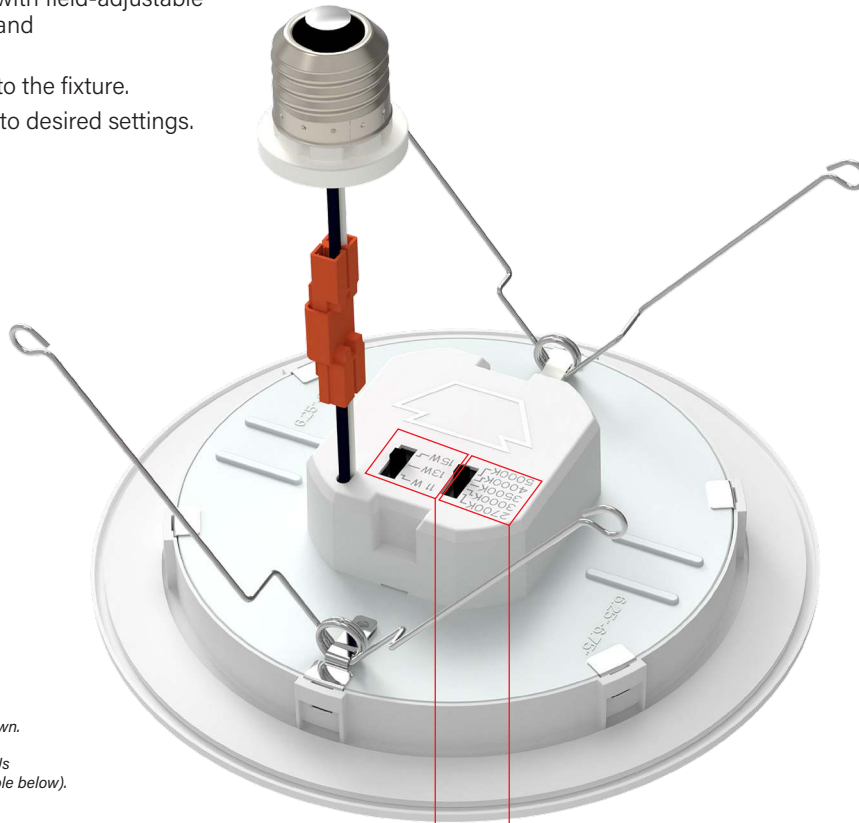
KT-LEDXXPSWD-XX-9CSF-DIM

LED WAFER DOWNLIGHT RETROFIT

POWER SELECT (WATTAGE) AND COLOR SELECT (CCT) ADJUSTMENT

This fixture is equipped with field-adjustable Keystone Power Select and Color Select technology.

1. Ensure power is off to the fixture.
2. Adjust dip switches to desired settings.



KT-LED15PSWD-6xx-9CSF-DIM shown.
For reference only.
KT-LED10PSWD-4xx-9CSF-DIM SKUs
will show different wattages (see table below).



POWER SELECT ADJUSTMENT SWITCH

Power Select dip switch is on the back of the fixture. Choose between high, medium, and low.

Fixture comes preset to highest wattage. See table below for wattage options.

COLOR SELECT ADJUSTMENT SWITCH

Color Select dip switch is on the back of the fixture. Choose between 2700K, 3000K, 3500K, 4000K, and 5000K.

Fixture comes preset to 2700K.

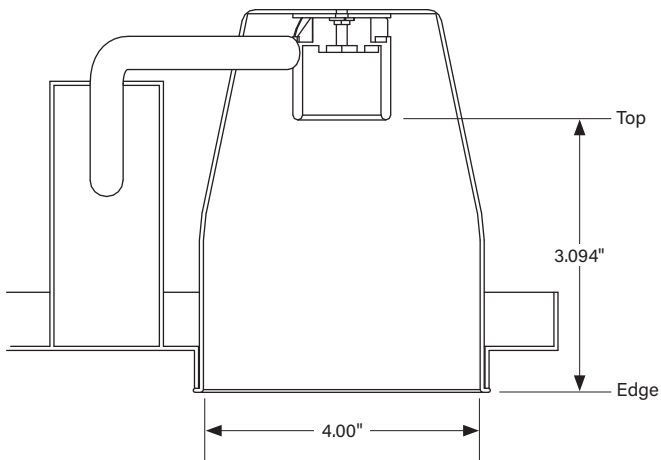
PART NUMBER	SELECTABLE WATTAGE	SELECTABLE CCT
KT-LED10PSWD-4A-9CSF-DIM	10W 8W 6W	2700K
KT-LED10PSWD-4B-9CSF-DIM		3000K
KT-LED10PSWD-4BB-9CSF-DIM		3500K 4000K 5000K
KT-LED15PSWD-6A-9CSF-DIM	15W 13W 11W	2700K
KT-LED15PSWD-6B-9CSF-DIM		3000K
KT-LED15PSWD-6BB-9CSF-DIM		3500K
KT-LED15PSWD-6BB-9CSF-DIM		4000K 5000K

KT-LEDXXPSWD-XX-9CSF-DIM

LED WAFER DOWNLIGHT RETROFIT

INSTALLATION INSTRUCTIONS

4" RETROFIT TRIM WAFERS: The existing luminaire housing must be equal to or larger than overall inner dimensions illustrated below.

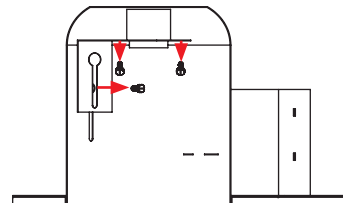


1. Shut off power at the source of the recessed housing into which you are installing fixture.

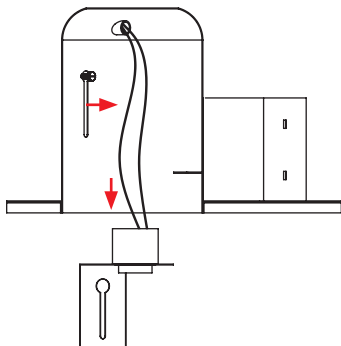
Remove existing trim and CFL or incandescent bulb.

Note: Follow all federal and local regulations when disposing of lamps and removed components.

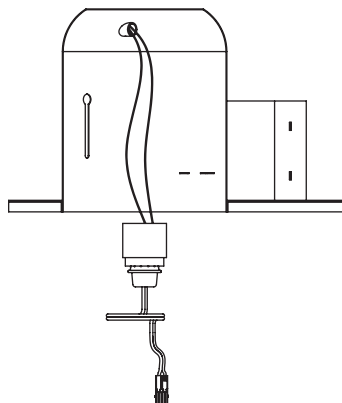
2. Unscrew the screws on socket bracket; push bracket upward to the top.



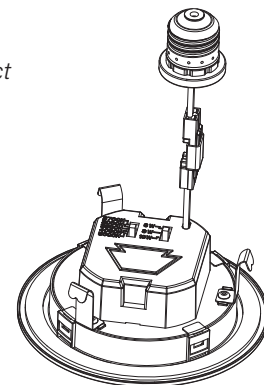
3. Remove existing socket mounting plate from the housing; remove lamp socket from the plate.



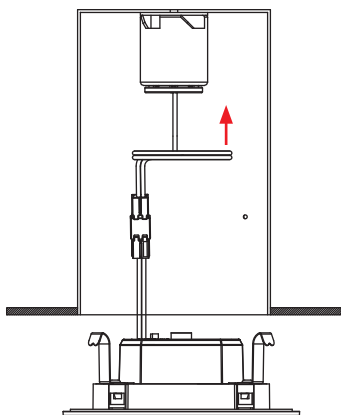
4. Screw E26 adaptor into the socket.



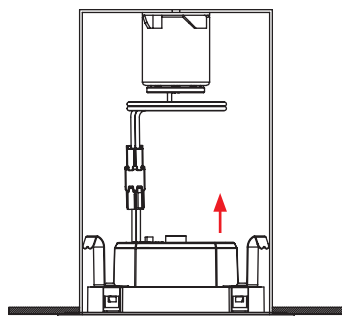
5. Select desired Wattage and CCT using adjustment switches on driver box (see Power Select (Wattage) and Color Select (CCT) Adjustment on page 9).



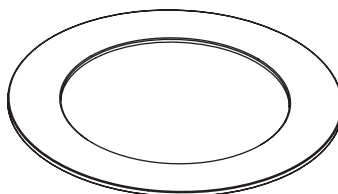
6. Plug E26 base cable connection into the recessed housing.



7. Slide friction clips into housing.



8. Carefully place wires into the fixture, then push the LED trim into the housing until trim is flush with ceiling.



Line drawings represent KT-LED10PSWD-4A-9CSF-DIM. Installation instructions are the same for all SKUs below:

- KT-LED10PSWD-4A-9CSF-DIM
- KT-LED10PSWD-4B-9CSF-DIM
- KT-LED10PSWD-4BB-9CSF-DIM

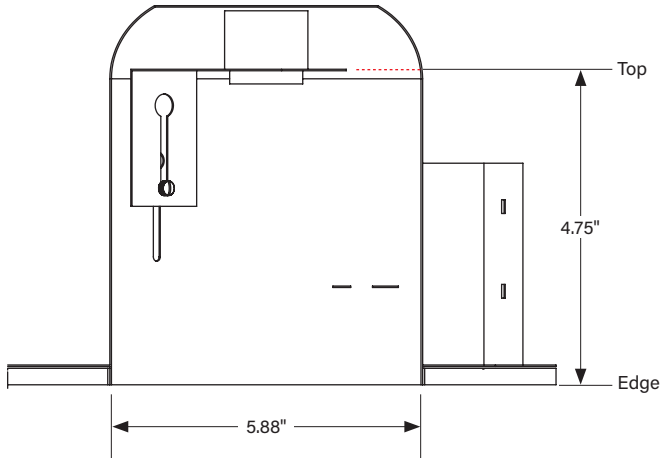
(Installation Instructions continue on next page)

KT-LEDXXPSWD-XX-9CSF-DIM

LED WAFER DOWNLIGHT RETROFIT

INSTALLATION INSTRUCTIONS (continued)

6" RETROFIT TRIM WAFERS: The existing luminaire housing must be equal to or larger than overall inner dimensions illustrated below.

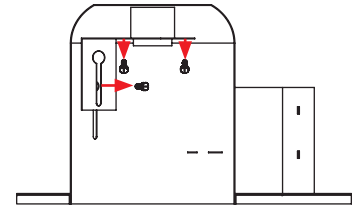


- 1. Shut off power at the source of the recessed housing into which you are installing fixture.**

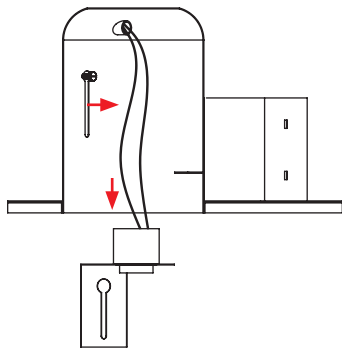
Remove existing trim and CFL or incandescent bulb.

Note: Follow all federal and local regulations when disposing of lamps and removed components.

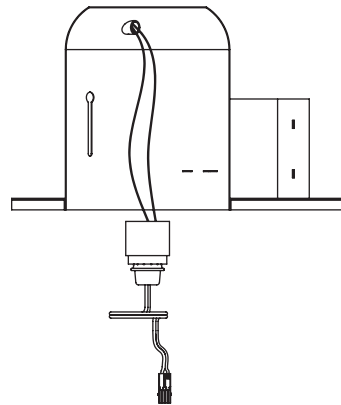
- 2. Unscrew the screws on socket bracket; push bracket upward to the top.**



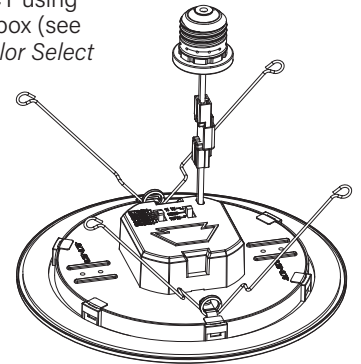
- 3. Remove existing socket mounting plate from the housing; remove lamp socket from the plate.**



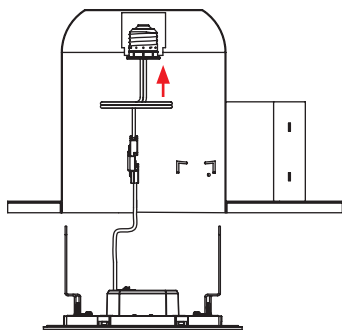
- 4. Screw E26 adaptor into the socket.**



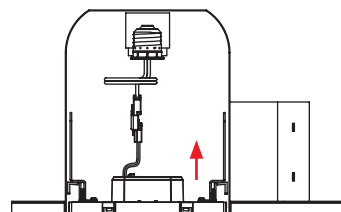
- 5. Select desired Wattage and CCT using adjustment switches on driver box (see Power Select (Wattage) and Color Select (CCT) Adjustment on page 9).**



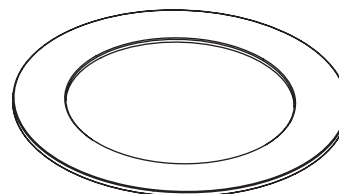
- 6. Plug E26 base cable connection into the recessed housing.**



- 7. Squeeze torsion springs and install into the metal brackets inside the recessed housing. For proper installation, the torsion springs should be seated within the brackets and on both sides of the housing.**



- 8. Carefully place wires into the fixture, then push the LED trim into the housing until trim is flush with ceiling.**



Line drawings represent KT-LED15PSWD-6A-9CSF-DIM. Installation instructions are the same for all SKUs below:

KT-LED15PSWD-6A-9CSF-DIM
KT-LED15PSWD-6B-9CSF-DIM
KT-LED15PSWD-6BB-9CSF-DIM



KT-LEDXXPSWD-XX-9CSF-DIM

LED WAFER DOWNLIGHT RETROFIT

ORDERING INFORMATION

Catalog Number	UPC	Easy Code	Energy Star ID
KT-LED10PSWD-4A-9CSF-DIM	843654161860	WFE-15	3354401
KT-LED10PSWD-4B-9CSF-DIM	843654161877	MSI-34	3354403
KT-LED10PSWD-4BB-9CSF-DIM	843654161884	WHR-44	3354402
KT-LED15PSWD-6A-9CSF-DIM	843654161891	PEC-00	3354404
KT-LED15PSWD-6B-9CSF-DIM	843654161907	XZL-02	3354405
KT-LED15PSWD-6BB-9CSF-DIM	843654161914	ZFP-40	3354406

CATALOG NUMBER BREAKDOWN

KT-LEDXXPSWD-XX-9CSF-DIM

1 2 3 4 5 6 7 8 9 10 11

1 Keystone Technologies

2 LED

3 Maximum Wattage

4 Power Select

5 Wafer Downlight

6 Size

7 Style Designation

8 90 CRI

9 Color Select

10 Color Select Designation

11 TRIAC Dimming

6 Size

4 4" nominal

6 6" nominal

7 Style Designation

A Slim

B Regressed smooth

BB Regressed baffled

10 Color Select Designation

F 2700 / 3000 / 3500 / 4000 / 5000K