



ESSENTIAL SERIES

GENERAL PURPOSE LED BULBS

KT-LED6MR16-S-8XX

REPLACEMENT LAMP

DESCRIPTION

6W MR16 Lamp | 2700–5000K | >80 CRI | Spot Light



LAMP TYPE: MR16
BASE TYPE: GU5.3
WATTAGE: 6W
COLOR TEMPERATURE: 2700–5000K
COLOR RENDERING INDEX (CRI): >80
WARRANTY: 3 Years
RATED LIFE: L70 (25,000 Hours)



TYPICAL APPLICATIONS

- Track-lighting
- Display
- Under-cabinet
- Outdoor landscaping (with suitable protection from the elements)

PRODUCT FEATURES

- Energy efficient, 80%+ energy savings over legacy equivalents
- Lower heat generation than legacy equivalents
- Smooth, uniform dimming
- Precision-crafted, full-face optics for precise beam angle control
- Durable plastic housing lowers the risk of breakage
- Long life minimizes replacement and maintenance costs
- Compatible with Keystone low voltage transformers
- Suitable for damp locations
- Operating temperature range: –4°F/–20°C to 95°F/35°C
- PF >0.80
- Rated for open and recessed fixtures
- ANSI compliant construction ensures fitment for intended applications
- UL Listed
- Meets Energy Star requirements
- Complies with Part 15 of FCC

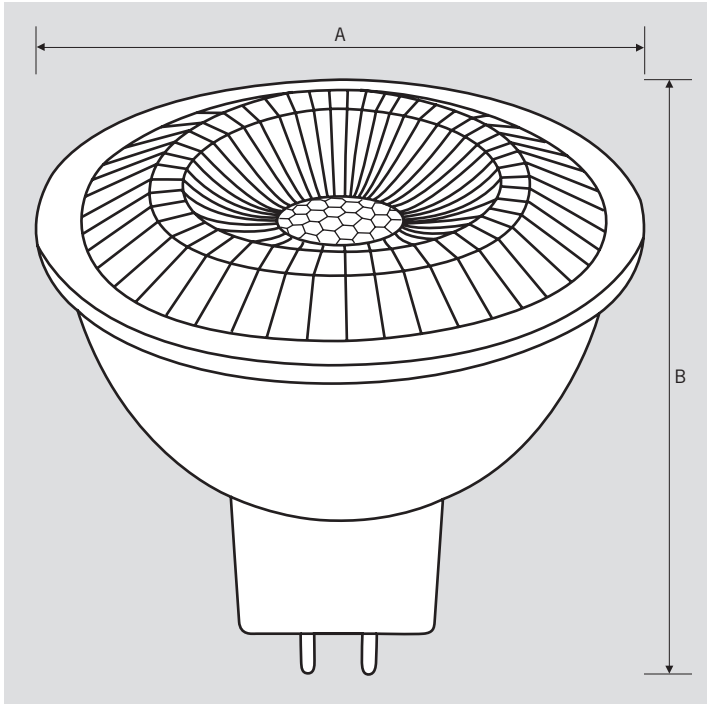
ELECTRICAL AND PERFORMANCE SPECIFICATIONS

Keystone Catalog Number	Description	Color Temp	Input Voltage	Rated Lamp Wattage	Legacy Equivalent Wattage	Lumens	Efficacy	CRI	Base Type	Beam Angle	Dimmable
KT-LED6MR16-S-827	MR16 bulb; Spot light; Dimmable	2700K	12V	6W	35W halogen	450 lm	75 lm/W	>80	GU5.3	35°	Yes
KT-LED6MR16-S-830	MR16 bulb; Spot light; Dimmable	3000K	12V	6W	35W halogen	450 lm	75 lm/W	>80	GU5.3	35°	Yes
KT-LED6MR16-S-840	MR16 bulb; Spot light; Dimmable	4000K	12V	6W	35W halogen	450 lm	75 lm/W	>80	GU5.3	35°	Yes
KT-LED6MR16-S-850	MR16 bulb; Spot light; Dimmable	5000K	12V	6W	35W halogen	450 lm	75 lm/W	>80	GU5.3	35°	Yes

KT-LED6MR16-S-8XX

REPLACEMENT LAMP

PHYSICAL CHARACTERISTICS



LAMP DIMENSIONS

A (Diameter)	1.97"
B (Length)	1.91"

BASE TYPE: GU5.3

RATED LIFE

L70 (Hours)	25,000
-------------	--------

PACKAGING

Carton Quantity	60 pcs
Carton Dimensions	12.95" × 10.91" × 6.54"
Carton Weight	8.5 lbs

ORDERING INFORMATION

ORDER CODE	CARTON QUANTITY	ITEM STATUS	EASY CODE	UPC
KT-LED6MR16-S-827	60 pcs	Active	EZN-04	843654126074
KT-LED6MR16-S-830	60 pcs	Active	LKF-21	843654126081
KT-LED6MR16-S-840	60 pcs	Active	QCE-63	843654126098
KT-LED6MR16-S-850	60 pcs	Active	UNR-26	843654126104

CATALOG NUMBER BREAKDOWN

KT-LED6MR16-S-8XX

1 2 3 4 5 6 7

- 1 Keystone Technologies
- 2 LED Lamp
- 3 Wattage
- 4 Lamp Shape
- 5 Spot Light
- 6 800 Series
- 7 Color Temperature