



# KT-LED60HID-V-EX39-840-D

## HID REPLACEMENT LED LAMP

### DESCRIPTION

60W HID Replacement LED Lamp | 4000K | >80 CRI | Vertical Light Direction



|   |
|---|
| <b>LAMP TYPE:</b> HID Replacement LED   |
| <b>BASE TYPE:</b> EX39 (Mogul)          |
| <b>WATTAGE:</b> 60W                     |
| <b>COLOR TEMPERATURE:</b> 4000K         |
| <b>METAL HALIDE EQUIVALENT:</b> 200W    |
| <b>COLOR RENDERING INDEX (CRI):</b> >80 |
| <b>WARRANTY:</b> 5 Years                |



### PRODUCT FEATURES

- Replacement for conventional metal halide lamp
- Non-dimmable; Do not dim
- 50,000+ hour lifetime
- Environmentally friendly: No mercury used
- Instant startup
- UL listed
- Delivers approximately 5% uplight
- Suitable for use in fully enclosed fixture
- Integral driver, eliminates the need for external driver or ballast; Includes 4kV surge protection
- Operating temperature range: -29°C/-20°F to 60°C/140°F
- Lamp top has a low-voltage AUX port for lamp level sensor controls

### OPERATING SPECIFICATIONS

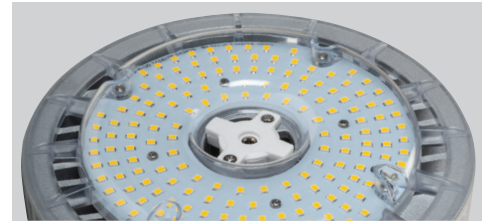
#### ELECTRICAL CHARACTERISTICS

| Input Voltage | Power Consumption | Power Factor | Input Current                |
|---------------|-------------------|--------------|------------------------------|
| 120-277Vac    | 60W               | >0.9         | 0.50A @ 120V<br>0.22A @ 277V |

#### PHOTOMETRIC CHARACTERISTICS

|                             |          |
|-----------------------------|----------|
| Color Temperature (CCT)     | 4000K    |
| Luminous Flux               | 8100 lm  |
| Color Rendering Index (CRI) | >80      |
| Efficacy                    | 135 lm/W |
| Visible Light Area          | 180°     |

#### SMART PORT LED COMPATIBLE

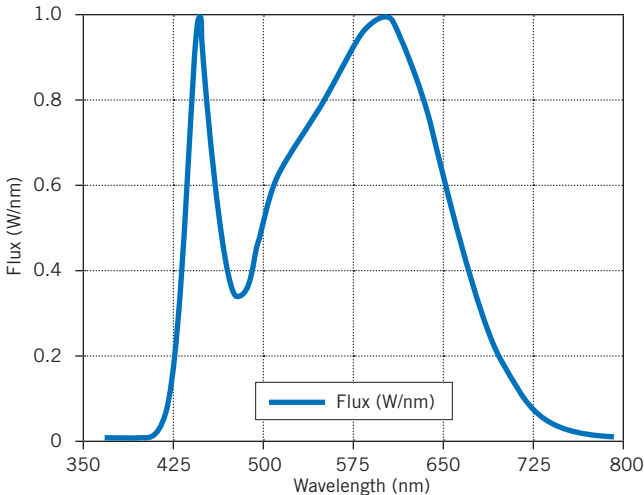


On the top of the lamp is a low-voltage AUX port for Smart Port LED sensors. See *Accessories* for available sensor options.

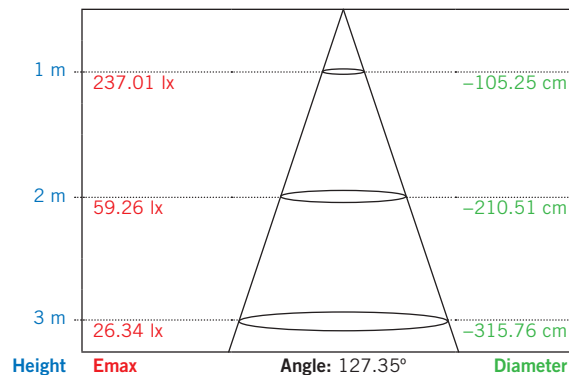
#### RATED LIFE

|             |        |
|-------------|--------|
| L70 (Hours) | 50,000 |
|-------------|--------|

#### SPECTRAL DISTRIBUTION



#### LUX DISTANCE CURVE



Note: The curves indicate the illuminated area and the average illumination when the luminaire is at a different distance.

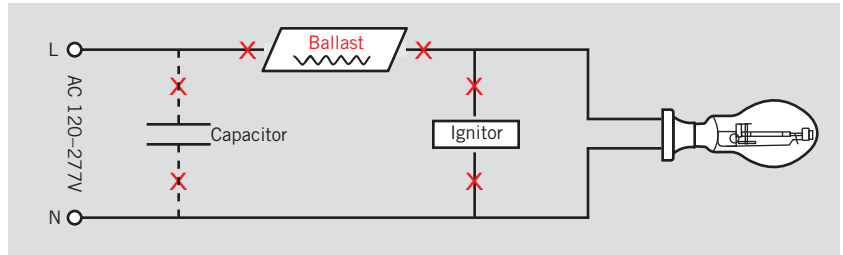
# KT-LED60HID-V-EX39-840-D

## HID REPLACEMENT LED LAMP

### WIRING INSTRUCTIONS

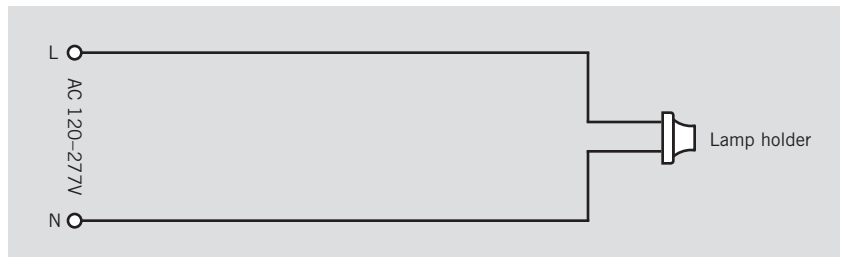
#### STEP 1

**Disconnect power.** Disconnect and remove existing ballast, capacitor, and/or ignitor (where applicable) from fixture.



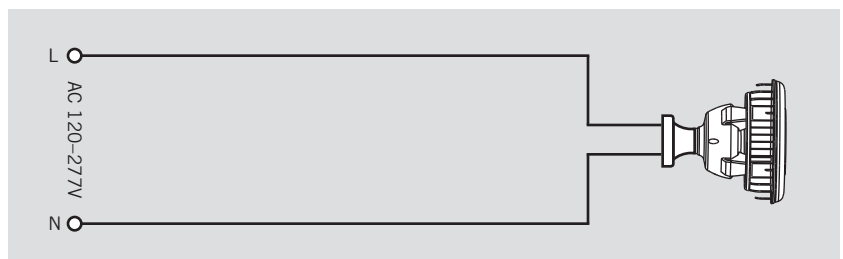
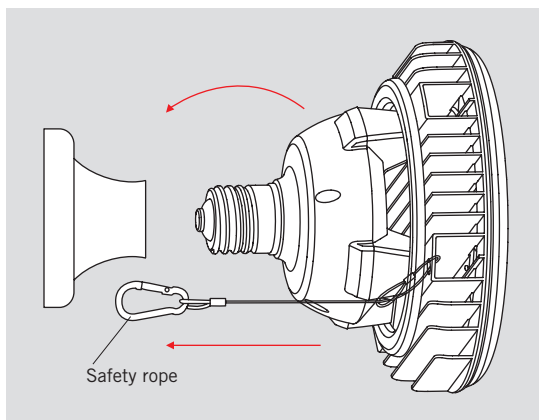
#### STEP 2

Rewire for line voltage to the lamp socket.

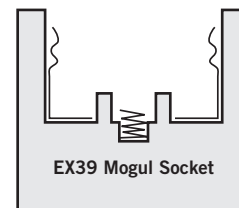
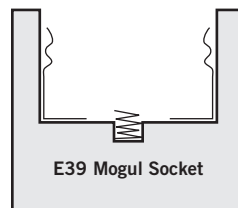


#### STEP 3

Install new LED replacement lamp. Ensure lamp is operating properly when power is turned on.



**EX39-based lamps** will work in *both* E39 and EX39 sockets.

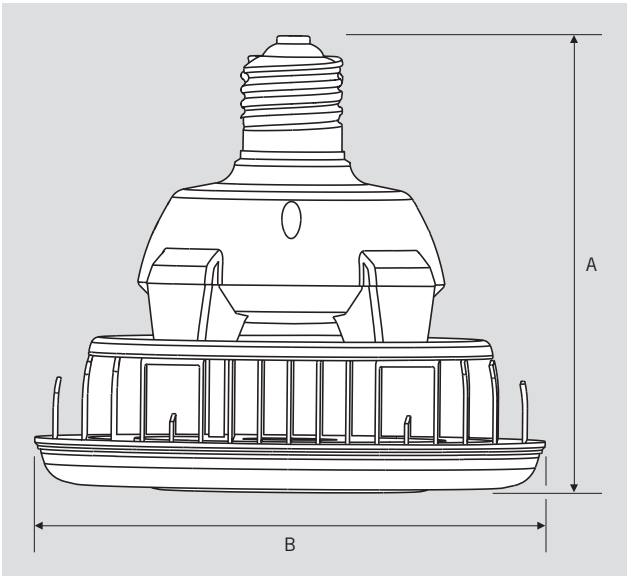




# KT-LED60HID-V-EX39-840-D

## HID REPLACEMENT LED LAMP

### PHYSICAL CHARACTERISTICS



#### LAMP DIMENSIONS

|                 |       |
|-----------------|-------|
| A (Body Length) | 6.61" |
| B (Diameter)    | 6.88" |

BASE TYPE: EX39 (Mogul)

### ACCESSORIES (SOLD SEPARATELY)

| Catalog Number   | Description   |
|------------------|---|
| KTS-MW1-12V-AUX  | SmartPort LED Microwave Occupancy sensor: On/Off with adjustable standby dimming level; 12V input |
| KTS-PIR1-12V-AUX | SmartPort LED PIR Occupancy sensor: On/Off with adjustable standby dimming level; 12V input       |
| KTS-PS1-12V-AUX  | SmartPort LED Photocell: On/Off with adjustable daylight threshold and timing; 12V input          |

### ORDERING INFORMATION

| ORDER CODE                  | PACKAGING STYLE                       | PACK QTY. | ITEM STATUS |
|-----------------------------|---------------------------------------|-----------|-------------|
| KT-LED60HID-V-EX39-830-D-DP | Distributor Pack (Individual Cartons) | 4         | Quick Ship  |

### CATALOG NUMBER BREAKDOWN

# KT-LED60HID-V-EX39-840-D

1 2 3 4 5 6 7 8 9

- 1 Keystone Technologies
- 2 LED Lamp
- 3 Wattage
- 4 Lamp Type
- 5 Vertical Orientation
- 6 Base Type
- 7 800 Series
- 8 Color Temperature
- 9 Direct-Drive Series