



KT-LED14.5T8-48G-835-DX2

T8 LED LAMP

DESCRIPTION

14.5W T8 LED | 3500K | >83 CRI | High-Efficiency | Single- or Double-ended Wiring



| |
|---|
| LAMP TYPE: Linear |
| BULB TYPE: T8 |
| BASE TYPE: G13 (Medium Bi-Pin) |
| WATTAGE: 14.5W |
| COLOR TEMPERATURE: 3500K |
| COLOR RENDERING INDEX (CRI): >83 |
| WARRANTY: 5 Years |



PRODUCT FEATURES

- Replacement for conventional fluorescent lamp
- Single- or double-ended wiring
- 50,000+ hour lifetime
- Approximately 40% more energy efficient than standard F32T8 lamps
- Environmentally friendly: No mercury used
- Instant startup
- Frosted lens eliminates pixelation
- UL classified
- Operating temperature: -20°C/-4°F to 45°C/113°F
- Integral driver (isolated) eliminates the need for external driver or ballast
- 110+ Lumens per Watt

OPERATING SPECIFICATIONS

ELECTRICAL CHARACTERISTICS

| Input Voltage | Power Consumption | Power Factor | Input Current |
|---------------|-------------------|--------------|------------------------------|
| 120-277Vac | 14.5W | >0.9 | 0.15A @ 120V 0.06A @ 277V |

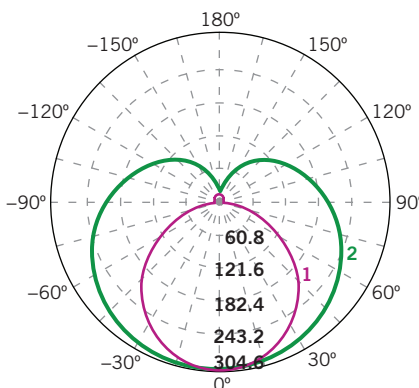
PHOTOMETRIC CHARACTERISTICS

| | |
|-----------------------------|----------|
| Color Temperature (CCT) | 3500K |
| Luminous Flux | 1760 lm |
| Color Rendering Index (CRI) | >83 |
| Efficacy | 121 lm/W |
| Beam Angle | 240° |
| Visible Light Area | 325° |

RATED LIFE

| | |
|-------------|--------|
| L70 (Hours) | 50,000 |
|-------------|--------|

POLAR CANDELA DISTRIBUTION



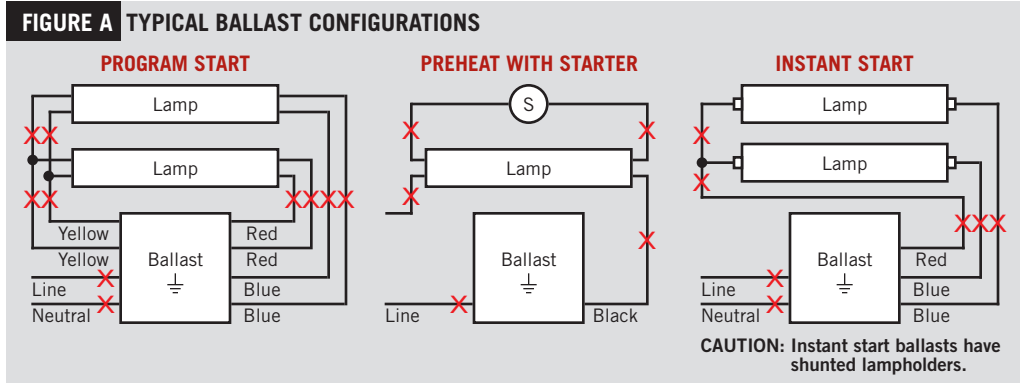
Maximum Candela = 1248.55
 Located at
 Horizontal Angle = 0, Vertical Angle = 0

- 1 Violet Vertical Plane through Horizontal Angles (90-270)
- 2 Green Vertical Plane through Horizontal Angles (0-180)

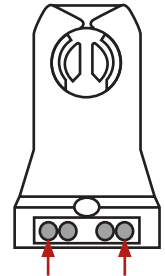
KT-LED14.5T8-48G-835-DX2
T8 LED LAMP

SINGLE-ENDED WIRING DIAGRAM

1. Cut all existing connections to ballast as shown below and remove ballast. See *Figure A* for typical ballast configurations. **Note: Single-ended wiring requires non-shunted lampholders.**



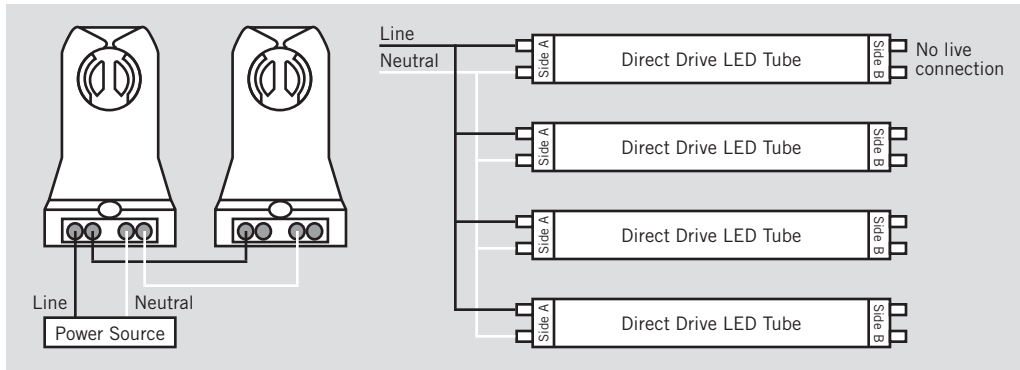
TYPICAL NON-SHUNTED LAMPHOLDER



Connect wires directly to these terminals

CAUTION: FOR SINGLE-ENDED WIRING USE ONLY NON-SHUNTED LAMP HOLDERS.

2. Rewire figure as shown below.

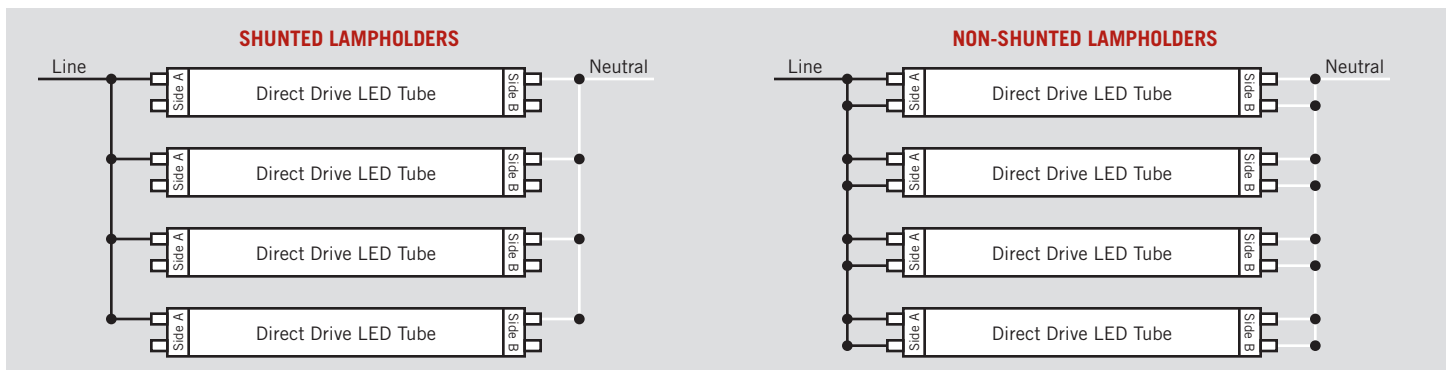


For Single-ended wiring, do not install product in a fixture with shunted lampholders (found in all fixtures using instant start ballasts). If the current lampholders are shunted, remove them and replace them with non-shunted lampholders. Make new connections directly to terminals as indicated above. Keystone can provide any style replacement lampholders. Call us at 800-464-2680.

DOUBLE-ENDED WIRING DIAGRAM

1. Cut all existing connections to ballast as shown below and remove ballast. See *Figure A* above for typical ballast configurations.
2. Re-wire fixture as shown below. For double-ended wiring, use either shunted or nonshunted lampholders.

NOTE: There should not be any exposed wires at the end of installation.

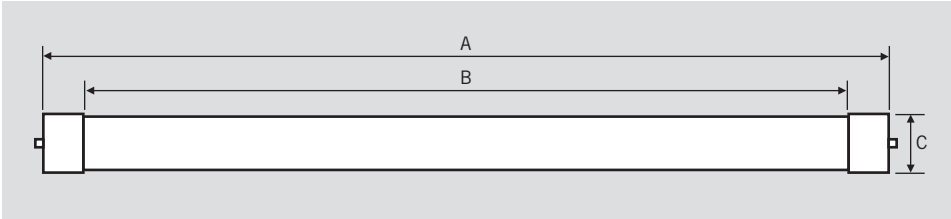




KT-LED14.5T8-48G-835-DX2

T8 LED LAMP

PHYSICAL CHARACTERISTICS



LAMP DIMENSIONS

| | |
|------------------------|--------|
| A (Body Length) | 47.15" |
| B (Illuminated Length) | 42.63" |
| C (Diameter) | 1.10" |

NOMINAL LENGTH: 48"

BASE TYPE: G13 (Medium Bi-Pin)

ORDERING INFORMATION

| ORDER CODE | PACKAGING STYLE | PACK QTY. | ITEM STATUS |
|-----------------------------|-----------------------------------|-----------|-------------|
| KT-LED14.5T8-48G-835-DX2-CP | Carton Pack (Egg Crate Packaging) | 25 | Quick Ship |

CATALOG NUMBER BREAKDOWN

KT-LED14.5T8-48G-835-DX2-CP

- 1
- 2
- 3
- 4
- 5
- 6
- 7
- 8
- 9
- 10

- 1 Keystone Technologies
- 2 LED Lamp
- 3 Wattage
- 4 Lamp Type
- 5 Nominal Length (Inches)
- 6 Glass Construction
- 7 800 Series
- 8 Color Temperature
- 9 Single- or Double-Ended Wiring
- 10 Packaging Style