



# KT-DDSLEDR17D-8-2L

## 8', 2-LAMP STRIP FIXTURE



### DESCRIPTION

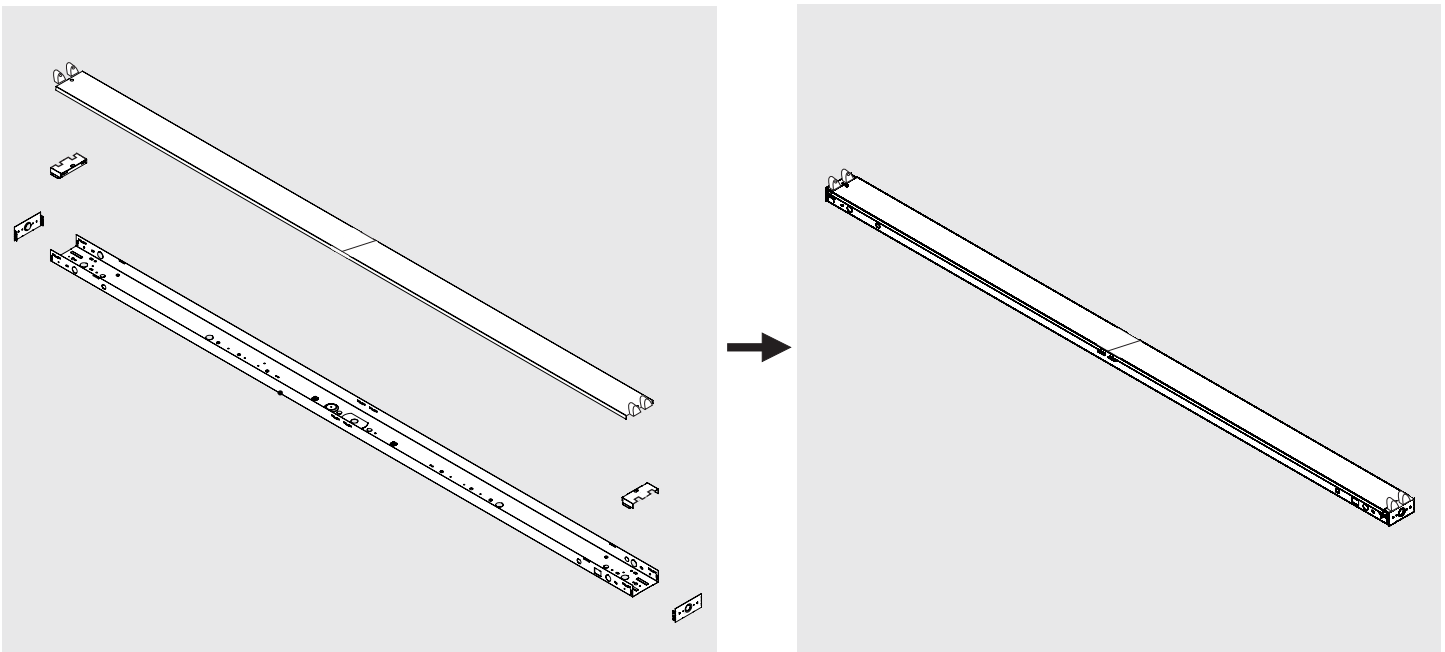
8' LED Tube ready strip fixture, 2 lamp. (lamps sold separately)

### APPLICATION

Used for indoor highbay, lowbay, warehouse and general lighting applications.

### PRODUCT FEATURES

- Designed for use with 8' double ended wiring (type B) LED T8 tubes, includes pre-wired sockets
- Post painted white steel body
- Rated for damp and dry locations
- Designed only for use with Keystone 8' double ended wiring DirectDrive T8HO LED lamps: 54W max per lamp
- Uses R17d sockets





# KT-DDSLEDR17D-8-2L

## 8', 2-LAMP STRIP FIXTURE

**ORDERING INFORMATION**

ORDER CODE	PACK QTY.	EASY CODE	UPC
KT-DDSLEDR17D-8-2L	1	DRQ-63	89094902010

**CATALOG NUMBER BREAKDOWN**

# KT-DDSLEDR17D-8-2L

1
2
3
4
5
6
7

- 1** Keystone Technologies
- 2** Direct Drive
- 3** Strip Fixture
- 4** LED Lamp
- 5** R17d Socket
- 6** 8' Nominal Size
- 7** 2 Lamps