

Installation Instructions

Alphalite LED Linear Strip

Installation guide valid for the following models:

ILL-2L(20S2)

ILL-4L(25S2)

ILL-4H(35S2)

ILL-4VH(45S2)

ILL-8H(65S2)

ILL-8VH(90S2)

ILL-8L(54/46/38S2)

ILL-8H(90/75/65S2)



WARNING

RISK OF FIRE OR ELECTRIC SHOCK

The LED Linear Strip Luminaire must be installed by a qualified electrician in accordance with applicable federal, state, and local laws and codes. Installation requires knowledge of luminaire electrical systems and installer should be familiar with the operation of this product. If not qualified, do not attempt installation; contact a qualified electrician. Manufacturer assumes no responsibility for the improper installation of this luminaire. When installing the fixture, drilling may damage luminaire wiring and electrical parts. Check for wiring and components in enclosure before drilling.

WARNING

To prevent wiring damage or abrasion, do not expose wiring to edges of sheet metal or other sharp objects. When installing this kit, drilling may damage luminaire wiring and electrical parts. Check for wiring and components in enclosure before drilling.

WARNING

RISK OF PERSONAL INJURY

Wear gloves or proper handling protection to prevent cuts or abrasions when handling and maintaining this product. This equipment may have sharp edges. To reduce the risk of death, personal injury or property damage from fire, electric shock, falling parts, cuts/abrasions, and other hazards read all warning and instructions included with and on the fixture box and all fixture labels.

WARNING

Suitable for Damp locations. Do not touch LEDs with hands or tools. Mishandling of LED can lead to product failure.

WARNING

RISK OF PERSONAL INJURY, FIRE OR ELECTRIC SHOCK

Turn OFF power before installation.

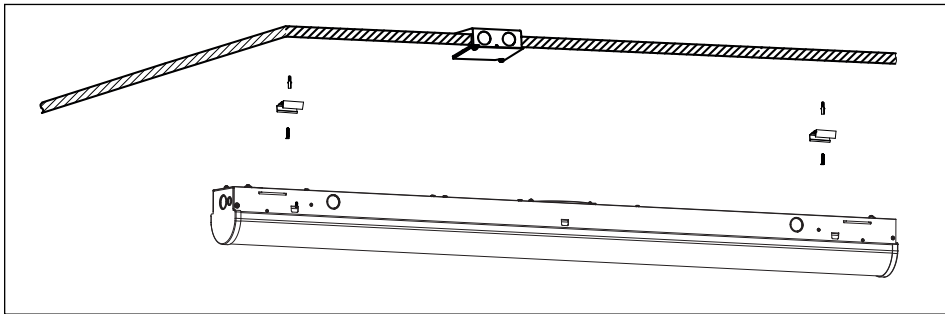
Contact manufacturer with any questions or concerns regarding installation of this luminaire.

Alphalite

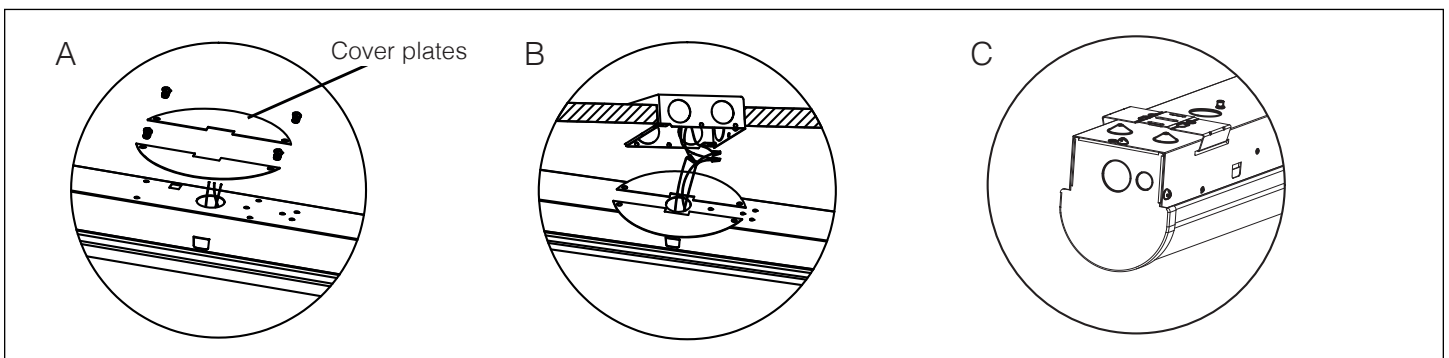
Installation Instructions

LED Linear Strip

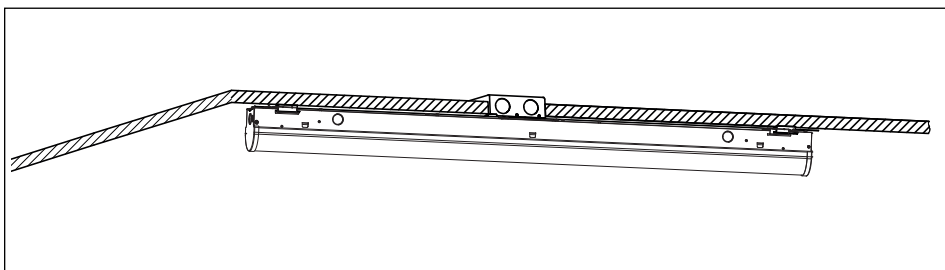
Surface Mounting Installation Steps:



1. Secure the provided brackets onto the ceiling with the provided accessories and screws.



2. Screw the provided cover plates to outlet knock-out in the back of housing.(Figure A).
3. Wire main power through the junction box (Figure B).
4. Then clip the brackets to the slots of fixture (Figure C).



CAUTION

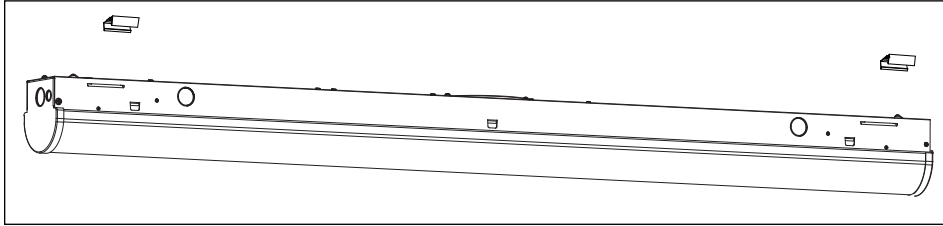
1. Avoid direct eye exposure to the light source while it is on.
2. Account for small parts and destroy packing material, as these may be hazardous to children
3. Disconnect power and allow fixture to cool before changing bulb or handing fixture.

Alphalite

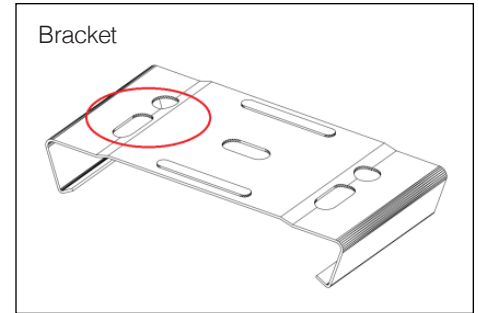
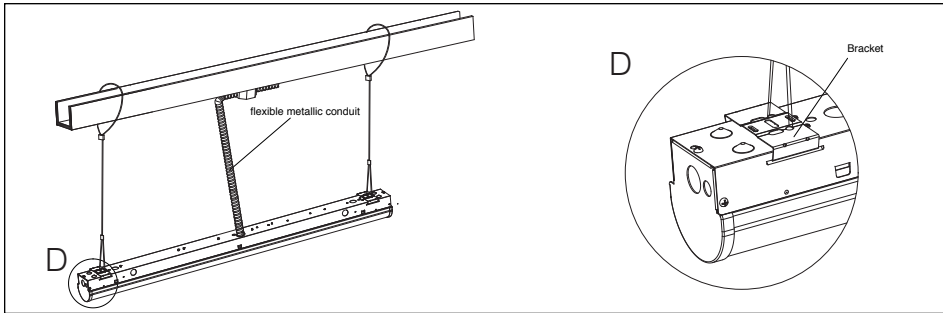
Installation Instructions

LED Linear Strip

Aircraft Cable Suspended Installation Steps:

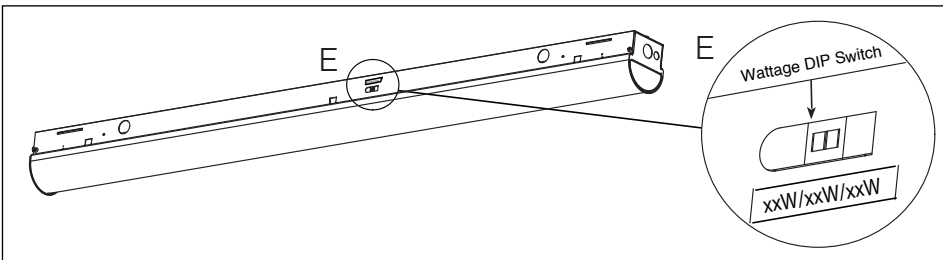


1. Clip the brackets to the slots of fixture.



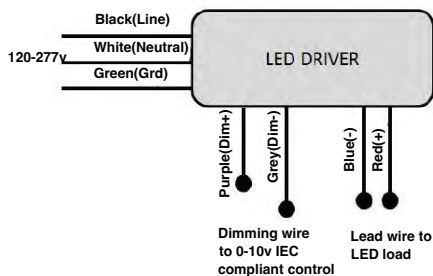
2. Attach customer supplied aircraft cable to brackets. (Figure D.)

Lumen package Selection Steps:



1. Locate the wattage DIP switch on the side of fixture and select the desired wattage by sliding the switch left and right. (Figure E.)
2. Insert the silicone cover to lock the switches in place after the switch was positioned to the desired settings.

Wiring Diagram:



0-10V Dimmable Wiring

Follow the wiring directions as in fig. 1.

1. Connect the black fixture lead to the (+) LINE supply lead.
2. Connect the white fixture lead to the (-) COMMON supply lead.
3. Connect the GROUND wire from fixture to supply ground. Do NOT connect the GROUND of the dimming fixture to the output.
4. Connect the purple fixture lead to the (V+) DIM lead.
5. Connect the gray fixture lead to the (V-) DIM lead.

ON-OFF Wiring

Follow the wiring directions as in fig. 1.

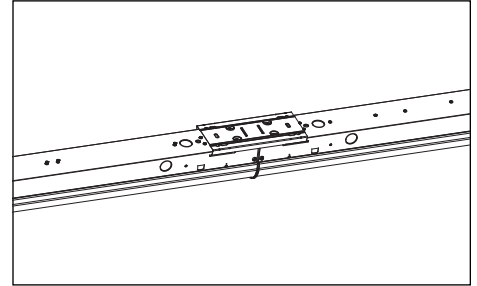
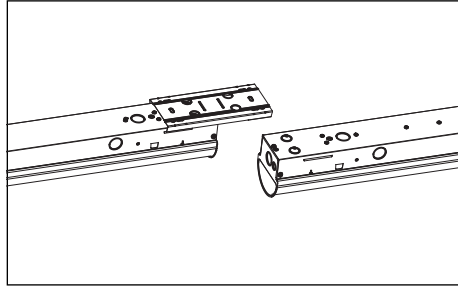
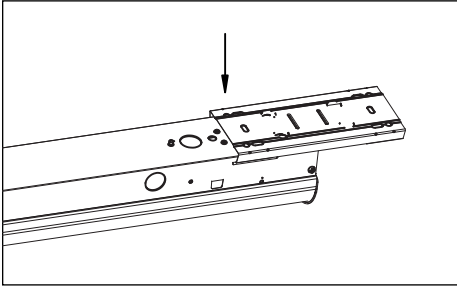
1. Connect the black fixture lead to the LINE supply lead.
2. Connect the white fixture lead to the COMMON/NEUTRAL supply lead.
3. Connect the GROUND wire from fixture to supply ground.

Alphalite

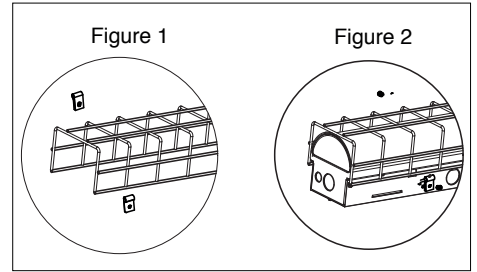
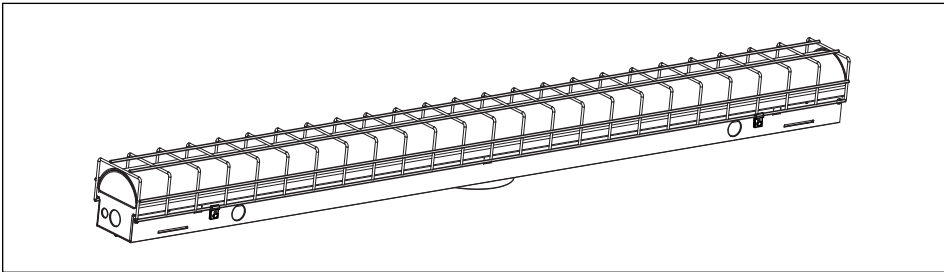
Installation Instructions

LED Linear Strip

Row Connector Installation Steps:



Wire Guards Installation Steps:



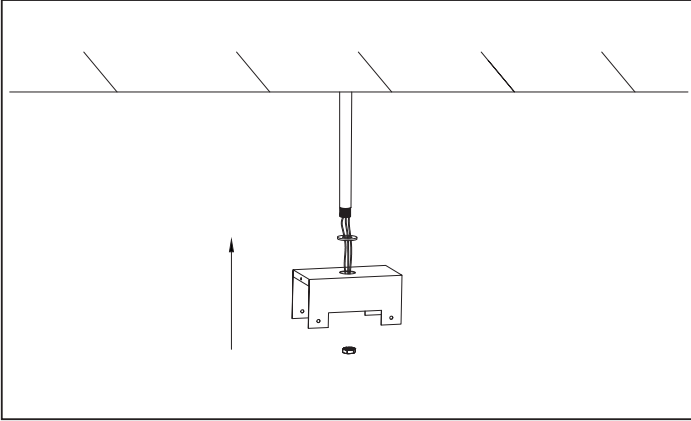
1. After installing the luminaire, insert the provided (4) chips onto the wire guard. (fig 1).
2. Fasten the chips by drilling screws into the pre-punched holes of fixture body (fig 2).

Installation Instructions

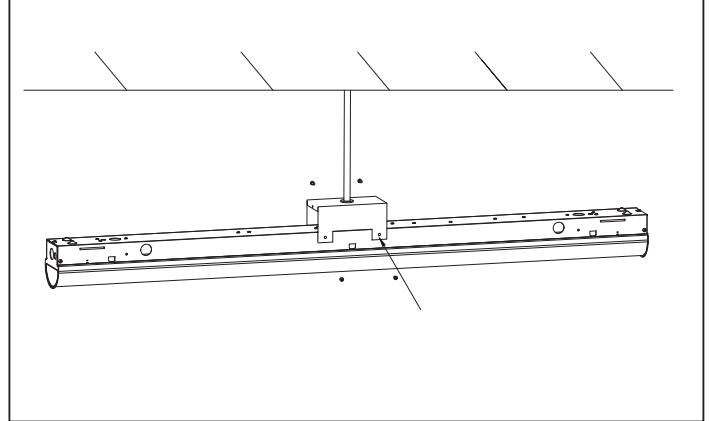
LED Linear Strip

Pendant Mounting

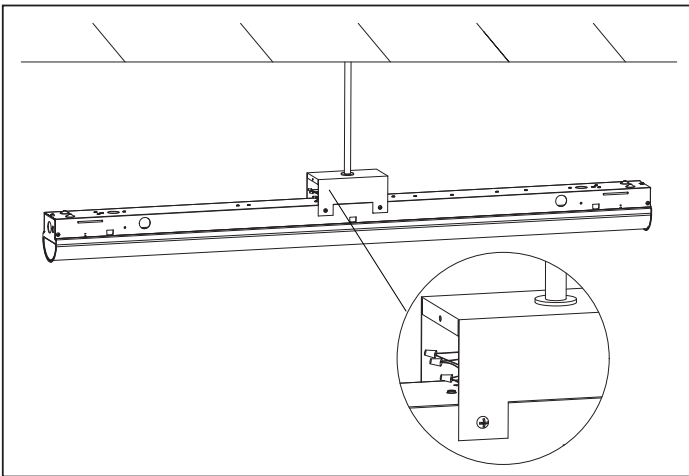
1. Install the pendant mount box on the pole.



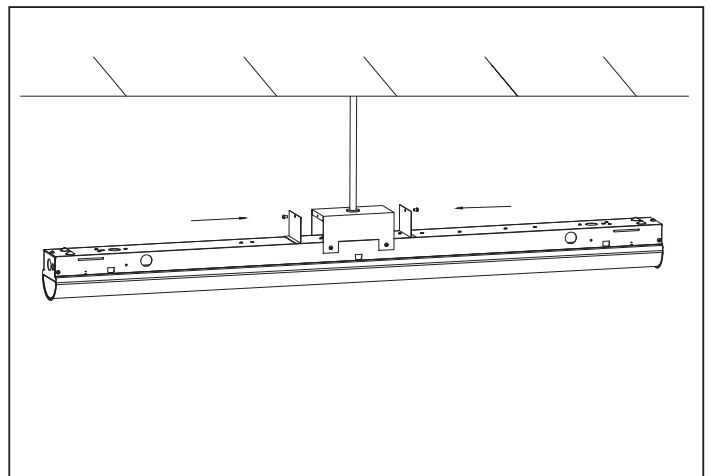
2. Screw the lamp to the pendant mount box.



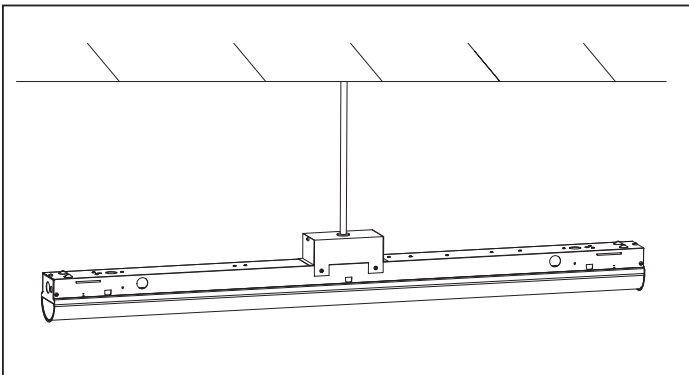
3. Wire to main power.



4. Install pendant mount box cover.



5. The installation is complete.



Alphalite