

# FPR6-10L-KFS

## 6" FLAT PANEL - KFS

Project:	
Type:	
Catalog #:	

### STANDARD



### FEATURES

- Field selectable 2700k (soft white), 3000k (warm white), 3500k (warm/neutral white), 4000k (neutral white), and 5000k (cool white) color temperatures.\*
- Long-life LEDs provide at least 70% of initial lumen output ( $L_{70}$ ) for 173,000 hours of operation.\*\*
- Color rendering index ( $R_a$ ) > 90.
- 1,000 nominal lumens.
- 15 nominal watts.
- 120 AC voltage (60Hz) is standard.
- Power factor > 0.90.
- Total harmonic distortion < 20%.
- Triac dimming.
- Aluminum housing.
- Easy installation in new construction or retrofit applications.
- Compatible with 6.30" ceiling cut-outs.
- Type IC. Access above ceiling required. Covered ceiling mount only.

\* Contact factory for other color temperatures and lumen packages.

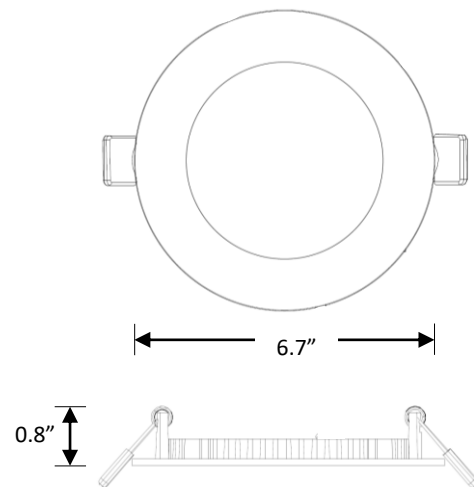
\*\*  $L_{70}$  hours are IES TM-21-11 calculated hours.



### WARRANTY & LISTINGS

- cETLus listed for wet locations not exceeding 45°C (113°F).
- Energy Star certified.
- Compatible for new construction and retrofit applications.
- Complies with FCC Part 15, class B.
- Complies with EN61000-4-5 surge protection (0.5kV).
- 5-year warranty of all electronics and housing.

### DIMENSIONS



Weight: 0.5 lbs.

### ORDERING INFORMATION

Example: FPR6-10L-KFS

Series	Color Temperature
FPR6-10L-KFS	Selectable CCT
	2700k
	3000k
	3500k
	4000k
	5000k