

BRK-LED56-GR-ECO 5" / 6" Gimbal

Project:	
Type:	
Catalog #:	



STANDARD



APPLICATIONS

5" & 6" Gimbal solution with integrated LED power supply and thermal management system combined in a single compact unit designed to fit most standard 5" & 6" recessed cans.

ILLUMINATION

- Long life LEDs with up to 50,000 hours at 70% lumen maintenance.
- Choice of 2700K (± 145), 4000K (± 275) color temperature with 80 CRI.
- Produces 975-1050 lumens output from luminaire.
- Uses 1.18W high power, high quality LEDs.

ELECTRICAL

- Dimmable to 10% with most dimmers.
- | | |
|--------------------|---------------|
| Lutron Maestro C-L | MACL-153MR |
| Lutron Skylark C-L | SCL-153P |
| Leviton Sureslide | Cat.No.6674 |
| Lutron | PD-6WCL |
| Legrand Harmony | HCL453PTCCCV6 |
- Save 75% compared to incandescent sources.
 - High efficiency driver with a power factor $\geq .90$ with input power of 120V, 50-60Hz.
 - Built-in LED Driver.
 - Power consumption of 14 watts.
 - Operation temperature of -20°C - 40°C (-4°F - 104°F).

MOUNTING

- Easy installation with adjustable torsion spring.
- Torsion spring is designed to fit into 5" or 6" housing automatically without changing mounting tab.
- No tools required for installation.

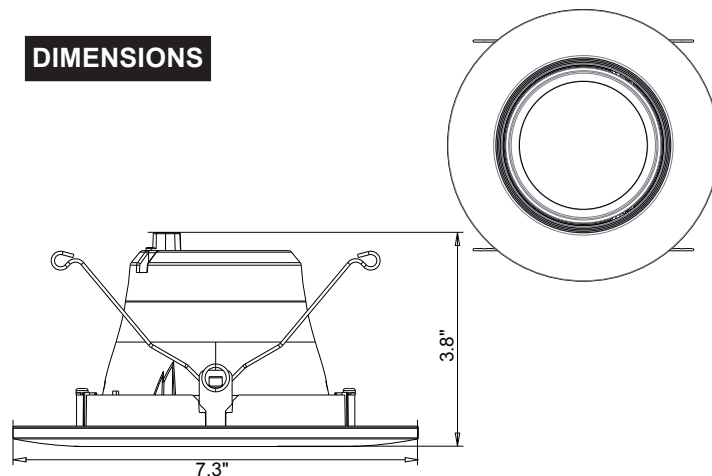
HOUSING

- Compatible with most 5" and 6" housings.
- Compatible with insulated, non-insulated, and air-tight ceilings.
- Durable thermoplastic construction.
- E26 medium screw-base Edison connector provides easy retrofit of incandescent housings.

WARRANTY/LISTING

- Tested in accordance with IESNA LM79 & LM80.
- ETL Listed for damp location.
- Energy Star qualified.
- Passes FCC Class B.
- Meets State of California Title 24 requirements.
- Five year warranty on all electronics and housing.

DIMENSIONS



ORDERING INFORMATION

MODEL	OPTIONS	KELVIN RATING		LUMENS	
BRK-LED56-GR-27K-ECO	GR	GIMBAL	27K	2700 K	975
BRK-LED56-GR-4K-ECO	GR	GIMBAL	4K	4000 K	1050