

BRK-8A

8" Architectural Downlight

Project:	
Type:	
Catalog #:	

STANDARD



FEATURES

- Available in 3500k (warm/neutral white), 4000k (neutral white), and 5000k (cool white) color temperatures.*
- Long-life LEDs provide at least 70% of initial lumen output (L_{70}) for 53,000 hours of operation.**
- Color rendering index (R_a) > 80.
- Provides 2,300 nominal lumens.
- 24 nominal watts.
- Universal 120-277 AC voltage (50-60Hz) is standard.
- Power factor > 0.90.
- Total harmonic distortion < 20%.
- 0-10VDC dimming is standard.
- Aluminum housing with white baffle trim.
- Easy installation in new construction or retrofit applications. Flexible conduit attaches to junction box.
- Compatible with 8.06" ceiling cut-outs and 8" mounting frames.
- Type IC, inherently protected. Access above ceiling required.
- This device is not intended for use with emergency exits.

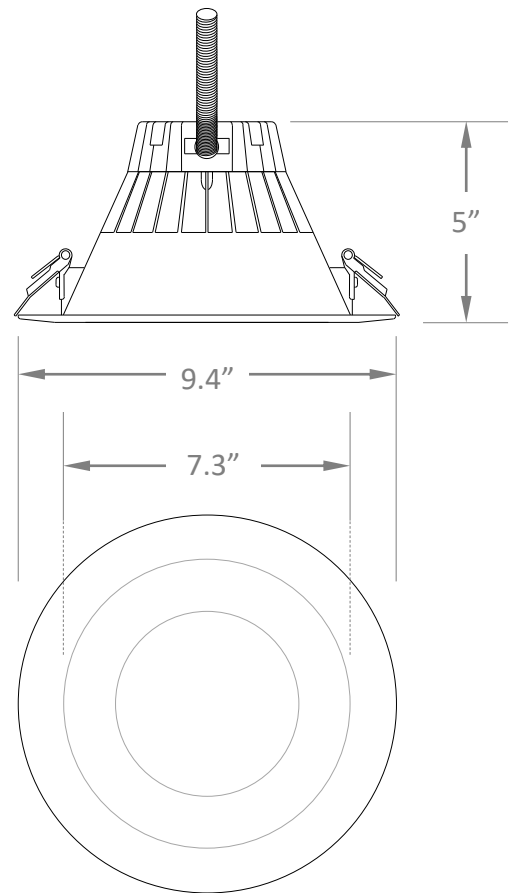
WARRANTY & LISTINGS

- cULus listed for wet locations.
- Compatible for new construction and retrofit applications.
- Complies with FCC Part 15, class A.
- Complies with EN61000-4-5 surge protection (line-neutral, 1kV; line-neutral-ground, 2.5kV).
- Complies with RoHS (Restriction on Hazardous Substances) requirements.
- 5-year warranty of all electronics and housing.

* Contact factory for other color temperatures and lumen packages.
 ** L_{70} hours are IES TM-21-11 calculated hours.



DIMENSIONS



Weight: 1.9 lbs.

ORDERING INFORMATION

Example: BRK-8A-23L-5K

Series	Lumen Output		Color Temperature		Accessories (Order Separately)	
	23L	2,300	35K	3500k	BL8CLED-ND	Mounting frame with j-box
BRK-8A			4K	4000k		
			5K	5000k		