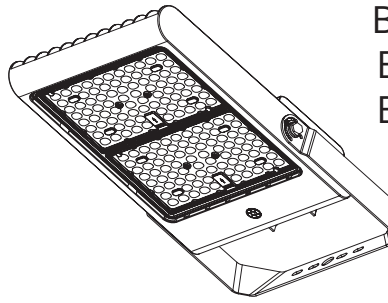




BOX1/PS150/750/UD/BZ
 BOX2/PS300/750/UD/BZ
 BOX1/PS150/750/VD/BZ
 BOX2/PS300/750/VD/BZ



INSTALLATION INSTRUCTIONS BOX Flood Light

SAFETY PRECAUTIONS:

- THIS PRODUCT MUST BE INSTALLED IN ACCORDANCE WITH THE APPLICABLE INSTALLATION CODE BY A PERSON FAMILIAR WITH THE CONSTRUCTION AND OPERATION OF THE PRODUCT AND THE HAZARDS INVOLVED.
- DO NOT INSTALL ON WOOD SURFACES.
- FOR SUPPLY CONNECTIONS USE WIRE RATED FOR AT LEAST 90°C.
- ASSEMBLE BOX FLOOD LIGHT ONLY WITH BOX/SFACC.

TO AVOID ELECTRIC SHOCK:

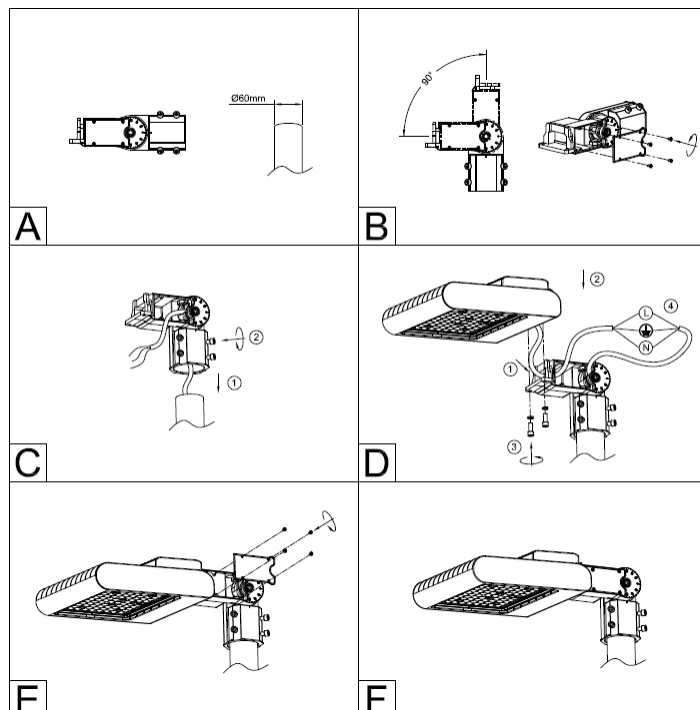
- MAKE SURE ELECTRICAL POWER IS OFF BEFORE AND DURING INSTALLATION AND MAINTENANCE.
- LUMINAIRE MUST BE CONNECTED TO A WIRING SYSTEM WITH AN EQUIPMENT-GROUNDING CONDUCTOR.

TO AVOID EXPLOSION:

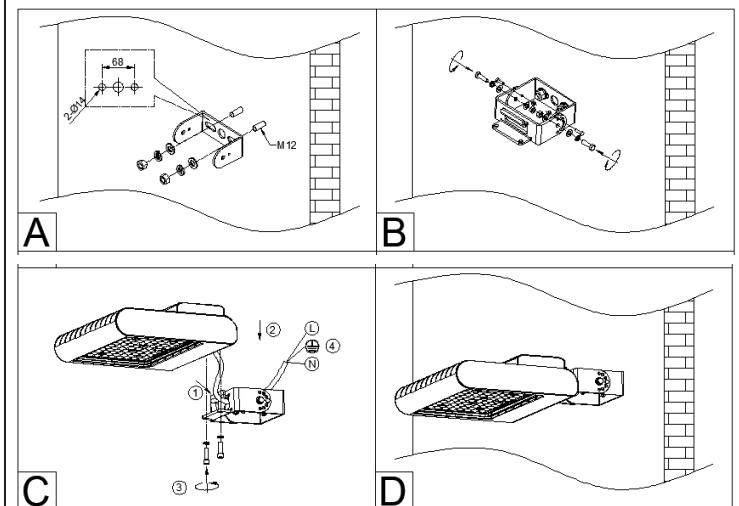
- MAKE SURE THE SUPPLY VOLTAGE IS THE SAME AS THE RATED LUMINAIRE VOLTAGE.
- DO NOT INSTALL WHERE THE MARKED OPERATING TEMPERATURES EXCEED THE IGNITION TEMPERATURE OF THE HAZARDOUS ATMOSPHERE.
- DO NOT OPERATE IN AMBIENT TEMPERATURES ABOVE THOSE INDICATED ON THE LUMINAIRE NAMEPLATE.
- KEEP LENS TIGHTLY CLOSED WHEN IN OPERATION.

INSTALLATION:

Slipfitter Installation

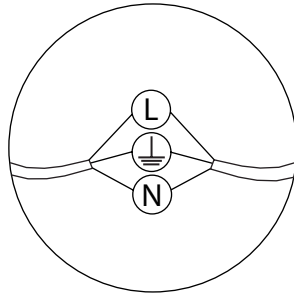


Trunnion Installation



WIRING DIAGRAMS:

Pole Installation Wiring

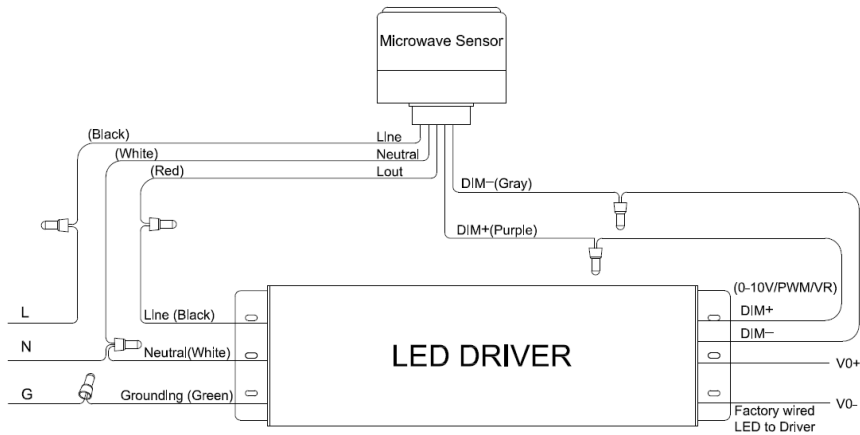


Wiring Enlarged Illustration

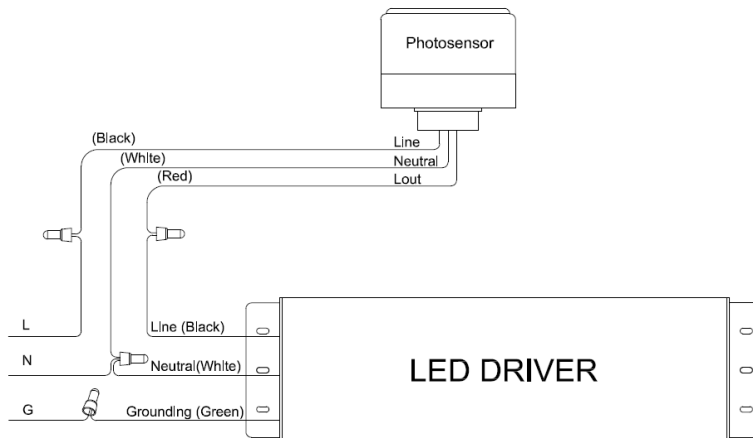
Connect the internal pole cable with the luminaire cable. The neutral line is connected to the neutral line. The ground line is grounded, and the live line is connected to the fire line.



Without Sensor or Photocell

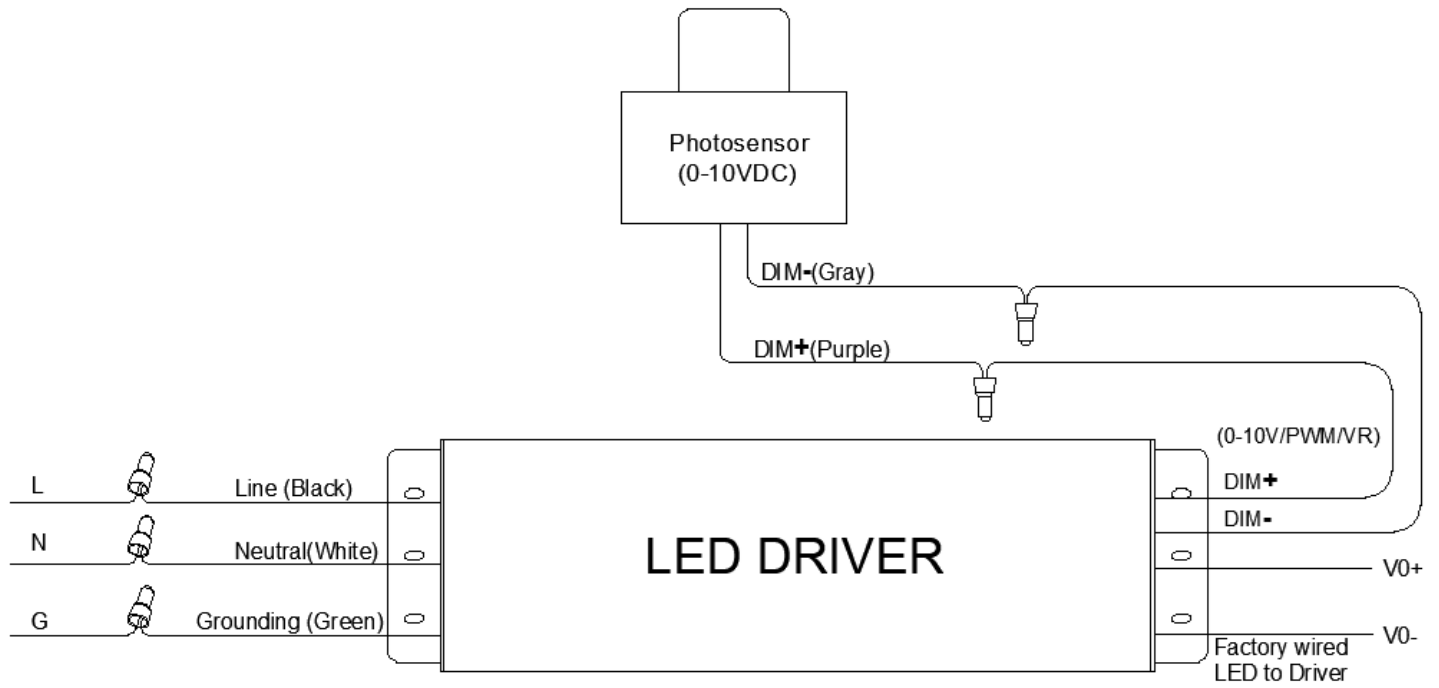


With Sensor

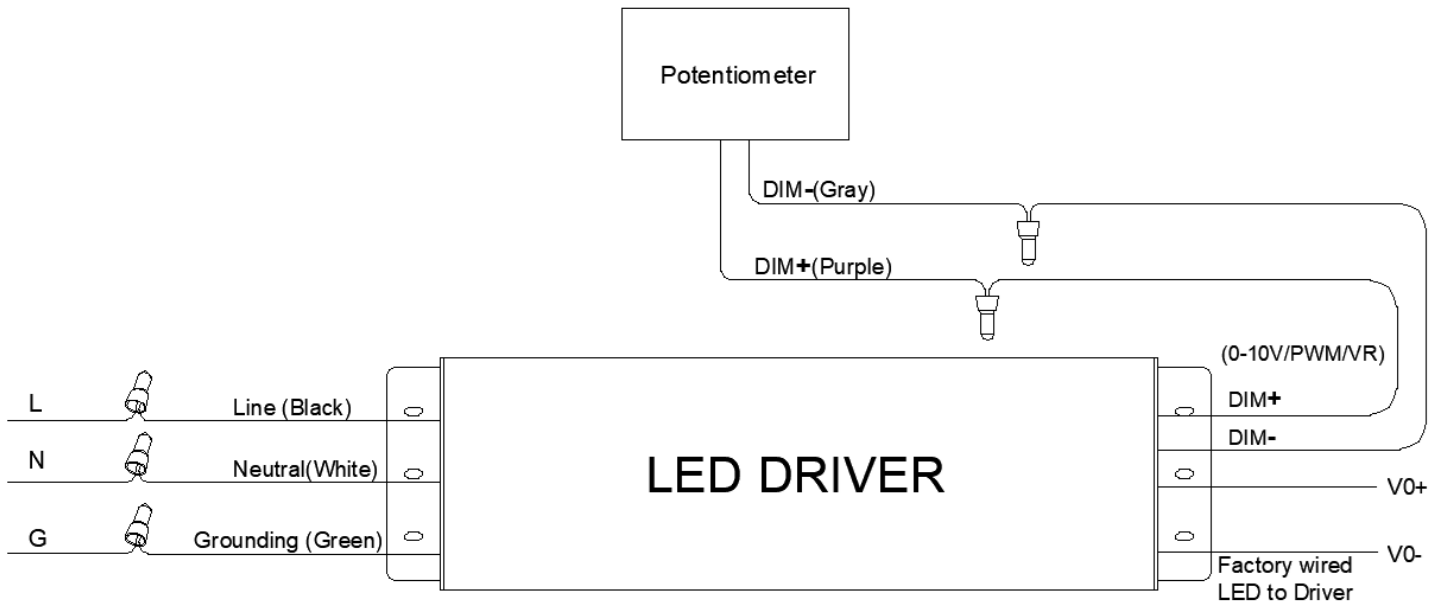


WIRING DIAGRAMS:

With Photocell



With Photocell (0-10VDC)



WIRING DIAGRAMS:

With Potentiometer Wiring Diagram for Plug-in Sensor

