

# LED BOLLARD INSTALLATION GUIDE

## WARNING

### RISK OF FIRE, ELECTRIC SHOCK, INJURY OR PROPERTY DAMAGE.

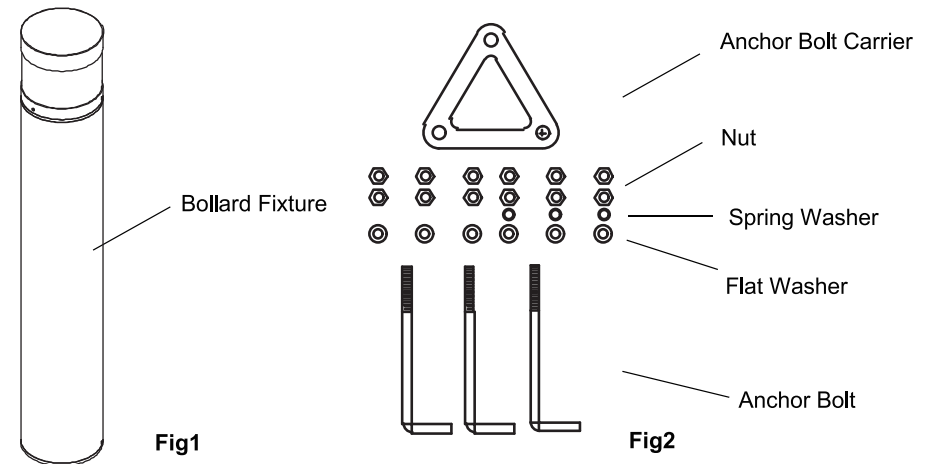
- Risk of electric shock--Disconnect power to equipment before installing or servicing. This equipment must be installed according to all applicable codes & ordinances.
- Installation and service of this equipment must be performed by qualified service personnel.
- Read these instructions before installing, servicing or maintaining this equipment.
- Save these instructions for maintaining and servicing.
- The installer must ensure that the foundation is stable and can support the luminaire's weight.
- The Installer must use proper means to secure the luminaire to the ground.

## CAUTION

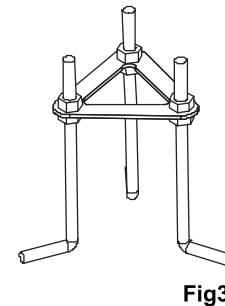
- Edges may cut--wear gloves while handling or servicing this equipment.
- Inspect equipment for damage from shipping and handling.
- Recommended cleaning substances:
- Wipe off dust with a dry, soft cloth. Remove greasy spots etc. with a soft cloth dampened in lukewarm water (<math><122^{\circ}</math> F/ <math>50^{\circ}</math> C) with a mild detergent.
- Never use detergents containing abrasives and solvents.
- Warning: Scouring powder and similar substances will scratch surfaces.

## LUMINAIRE PREPARATION

Remove the luminaire (Fig 1) and accessories (Fig 2) from the carton and inspect luminaire for damage. Do not install a damaged luminaire.



## INSTALLING BOLLARD



- Prepare site. Get the anchor bolt carrier assembled as Fig3 and use it to determine placement of anchor bolts in concrete.
- Ensure that concrete base is suitable for the bollard load.
- Install three anchor bolts into concrete as per attached drawing, having at least 1-1/2~2" protruding from concrete with threads free and clear of debris and dirt.

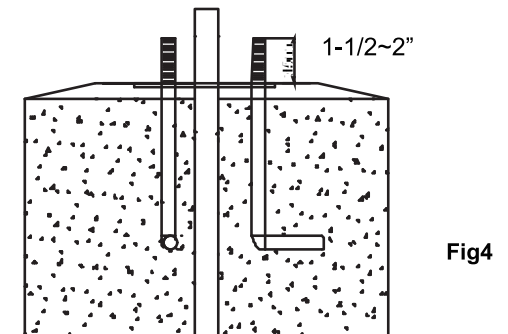


Fig4

- Dis-assembly the fixture by loosening the set screwsx3 with hex wrench. (Fig5)
- Quick disconnect bollard and moved way from the base.

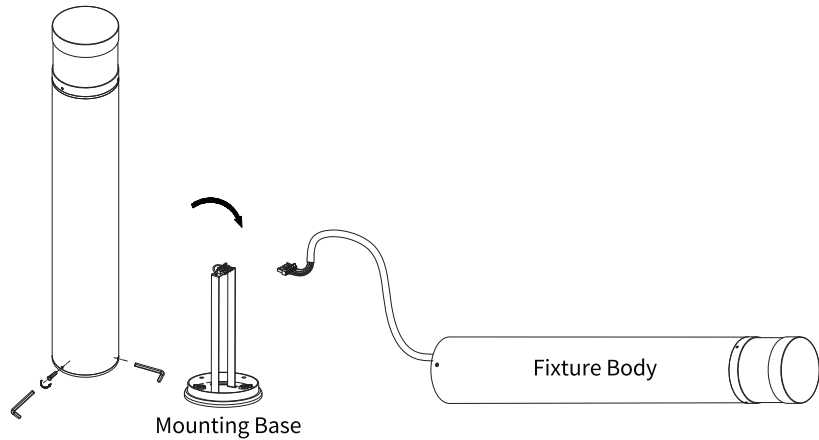


Fig5

Fig6

- Place bollard base plate over anchor bolts and tighten nuts securing the base plate to the foundation.
- As Fig7 shown get male and female plug connected. Mounting of supply ground wire un the same terminal as existing ground wire (double wire in grounding terminal). Then please double check to make sure the wires are in good connection after the base installation.

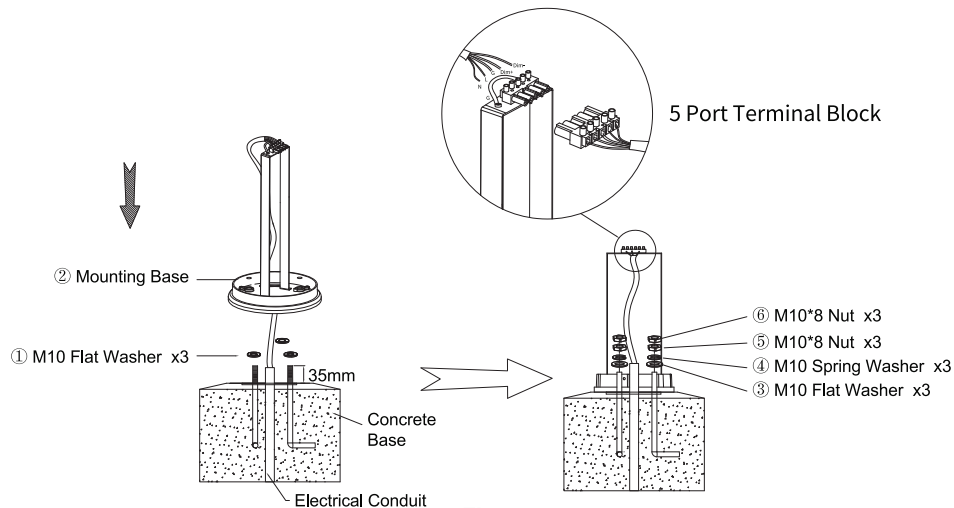


Fig7

Put back the fixture body, and tighten the set screwsx3 with hex wrench. (Fig8)

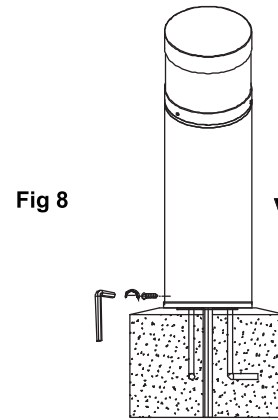


Fig 8

**BOLLARD ANCHOR BOLT GUIDE**

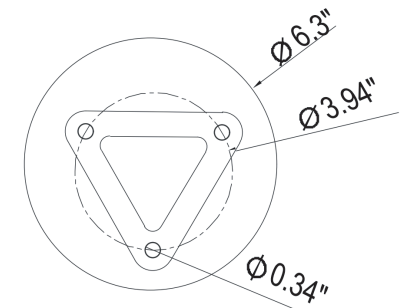
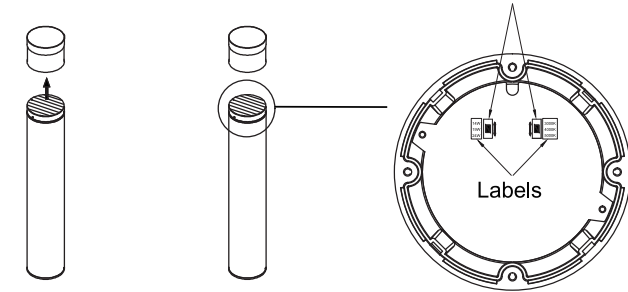


Fig 9

**DIAL SWITCHES DIAGRAM**

Loosen 4 screws, open the top of the fixture

Dial Switches for Watt & CCT Selection



**WIRING DIRGRAM**

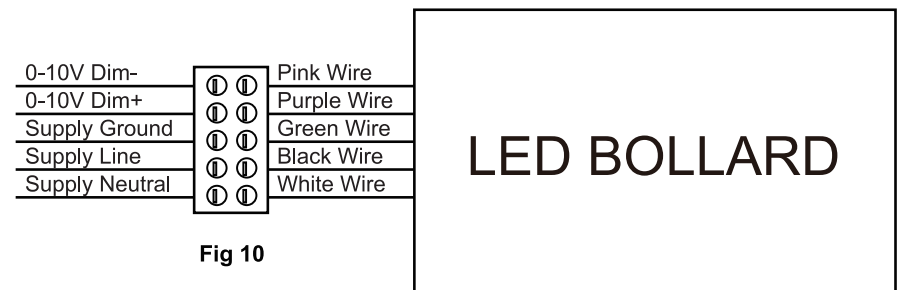


Fig 10

# ROUND ANCHOR BOLT INSTALLATION

## MOUNTING ACCESSORIES PREPARATION

Remove the accessories in Fig1 from the package, and make sure all parts in good condition and right qtys.

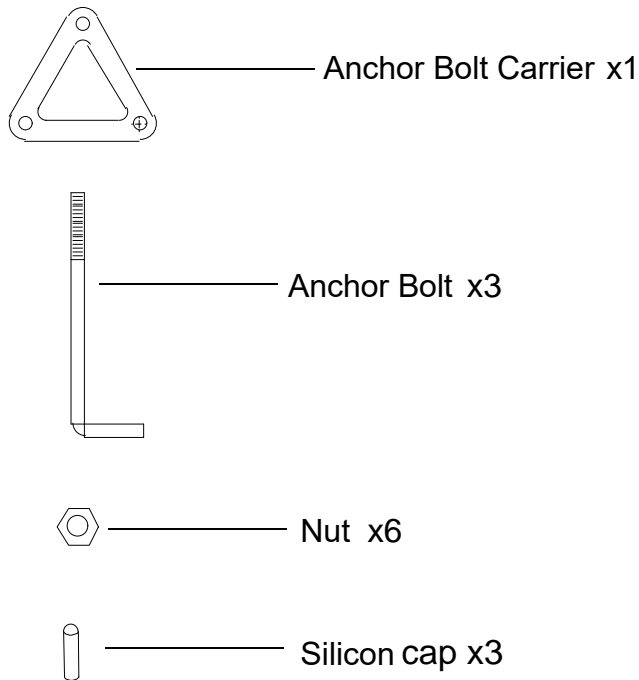


Fig1

## INSTALLING ANCHOR BOLT

- Prepare site. Get the anchor bolt carrier assembled as Fig2 and protect the threads from concrete splash with silicon caps.
- Ensure that concrete base is suitable for the bollard load.
- Sink the anchor bolts into the concrete as Fig3 leaving the threaded portion 1-1/2~2" as Fig4 above the cement . And remove the silicon caps.

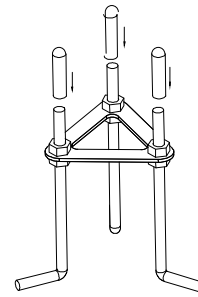


Fig2

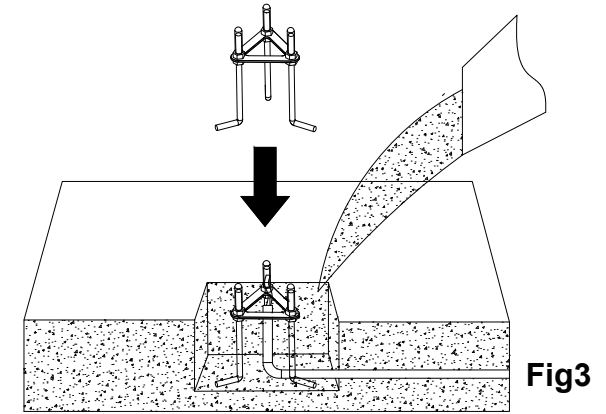


Fig3

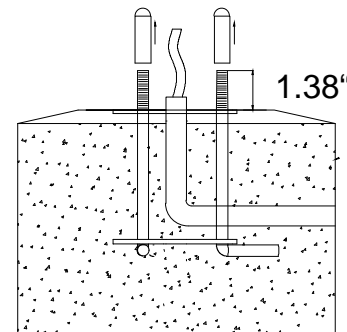


Fig4