

LED HIGH OUTPUT A LAMPS 360° OMNI DIRECTIONAL DESIGN



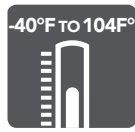
120-277V

VOLTAGE



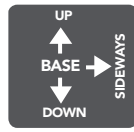
E26/EX39

MEDIUM & MOGUL BASE



-40°F TO 104°F

OPERATING TEMP



UP
BASE
DOWN
SIDEWAYS

MOUNTING



ENCLOSED FIXTURES



CRI



RATED LIFE



WARRANTY

A21 & A23 High Output Lamps

safe for use in enclosed fixtures



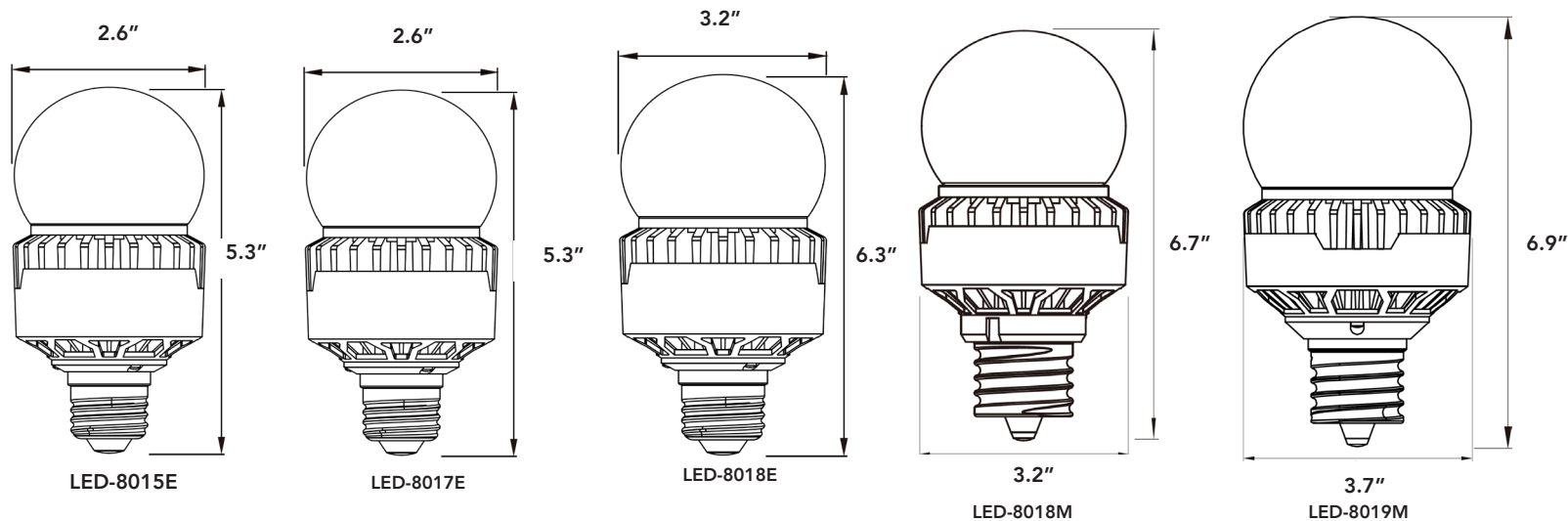
LED-8018M

- Frosted design to reduce glare
- 360° light output for optimal performance
- 14W, 20W, 25W and 35W replacing up to 175W HID & 300W incandescent
- Pretested & potted drivers are burnt in 3x prior to shipping and protected against vibration & moisture
- Expertly engineered to work efficiently in enclosed fixtures & damp environments.
- Protected against insects and dust.
- Optimal heat dissipation
- 120-277V (Non-Dimmable)

PART #	REPLACES (Incandescent)	REPLACES (HID)	WATTAGE	LUMENS	CCT (K)	BASE	ENERGY STAR	DLC PRODUCT CODE
LED-8015E50-A	Up to 100W	Up to 70W	14W	1960	5000K	E26	•	N/A
LED-8017E50-A	Up to 150W	Up to 100W	20W	2760	5000K	E26	•	N/A
LED-8018E50-A	Up to 200W	Up to 150W	25W	3575	5000K	E26	•	N/A
LED-8018M50-A	Up to 200W	Up to 150W	25W	3575	5000K	EX39	N/A	PL3PUZ17KO7Y
LED-8019M50-A	Up to 300W	Up to 175W	35W	4830	5000K	EX39	N/A	PLGAMPK6VXAH



LED HIGH OUTPUT A LAMPS 360° OMNI DIRECTIONAL DESIGN



ORDERING GUIDE

PART #	UPC	REPLACES (INCANDESCENT)	REPLACES (HID)	WATTAGE	LUMENS	CCT (K)	BASE	ENERGY STAR	DLC CODES
LED-8015E30-G2	844006035969	100W	70W	14W	1792	3000K	E26	•	N/A
LED-8015E40-G2	844006035976	100W	70W	14W	1918	4000K	E26	•	N/A
LED-8015E50-G2	844006035983	100W	70W	14W	1960	5000K	E26	•	N/A
LED-8017E30-G2	844006035990	150W	100W	20W	2540	3000K	E26	•	N/A
LED-8017E40-G2	844006036003	150W	100W	20W	2720	4000K	E26	•	N/A
LED-8017E50-G2	844006036010	150W	100W	20W	2760	5000K	E26	•	N/A
LED-8018E30-G2	844006036027	200W	150W	25W	3375	3000K	E26	•	N/A
LED-8018E40-G2	844006036034	200W	150W	25W	3525	4000K	E26	•	N/A
LED-8018E50-G2	844006036041	200W	150W	25W	3575	5000K	E26	•	N/A
LED-8018M30-G2	844006036058	200W	150W	25W	3375	3000K	EX39	N/A	PLYO2FRL1TZ
LED-8018M40-G2	844006036065	200W	150W	25W	3525	4000K	EX39	N/A	PLJ38NJP57SW
LED-8018M50-G2	844006036072	200W	150W	25W	3575	5000K	EX39	N/A	PL3PUZI7KO7Y
LED-8019M30-G2	844006036089	300W	175W	35W	4400	3000K	EX39	N/A	PLFD10SWG40S
LED-8019M40-G2	844006036096	300W	175W	35W	4400	4000K	EX39	N/A	PLZ89EO4KDCG
LED-8019M50-G2	844006036102	300W	175W	35W	4690	5000K	EX39	N/A	PLGAMPK6VXAH

