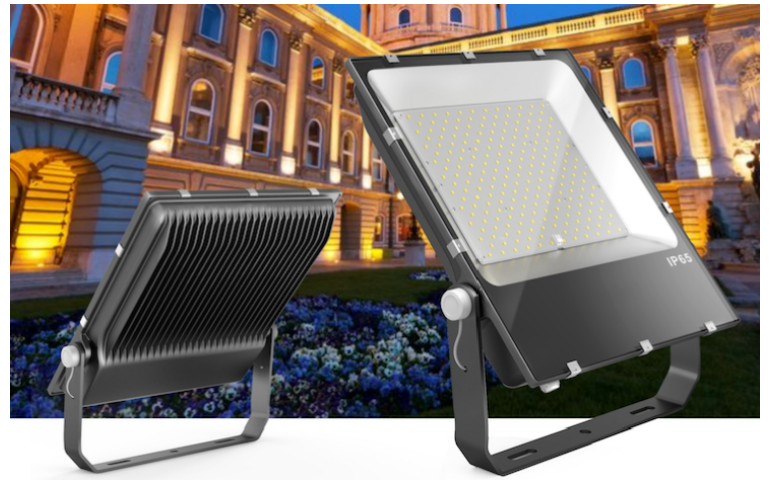
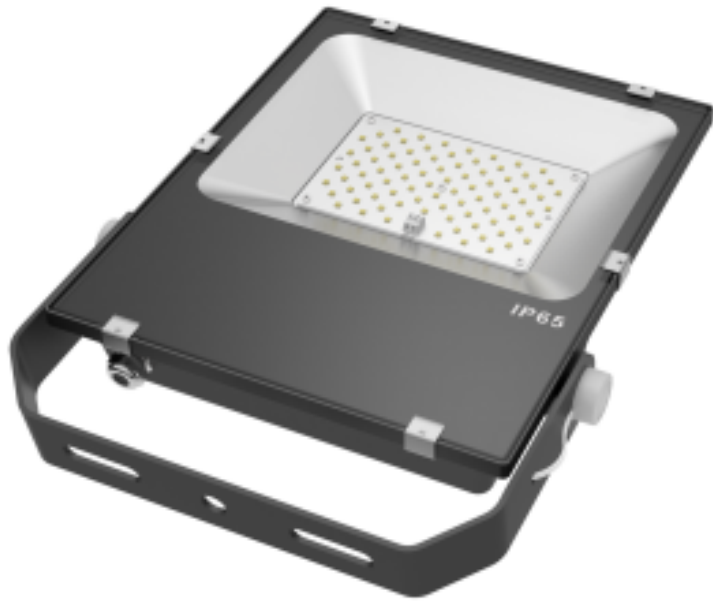


LED Flood Lights



ALTECH

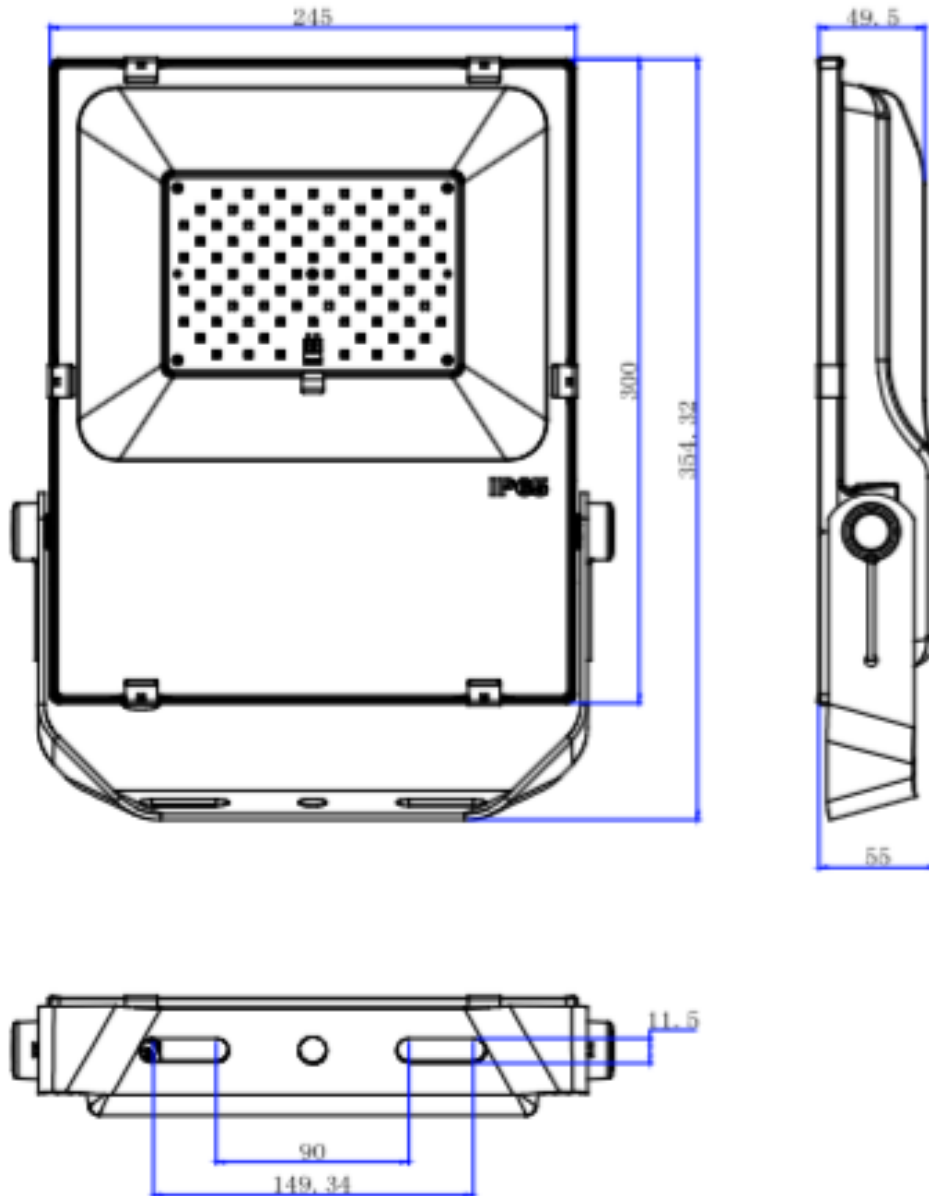
Contact Us:

7057 Marcelle St.
Paramount, CA 90723
800-640-0386
www.altechefficiency.com
sales@altechefficiency.com

Specifications

Model Number	AE-L-FLIS-90
DLC #	U-IFL-90
DLC Partner	Ultron Industries
Input Wattage	90W
Replacement Wattage	320W MH
Input Voltage Range	100-277V
Delivered Lumens	10800 lm
Lumen Efficiency	120 lm/w
Color Rendering Index (CRI)	70+
Color Temperature (Kelvin)	3000K-5700K
Beam Angle	120°
Power Factor	0.99
Frequency	50/60Hz
MAX THD (%)	15
Min. Ambient Temp	-30.0°F / -34.4°C
Max. Ambient Temp	130.0°F / 48.9°C
IP Rating	IP65
Dimming Compatible	NO
Product Weight	11.0LB / 5.0KG
Product Height	2.2in / 55mm
Product Length	13.9in / 354mm
Product Width	9.6in / 245mm
Lens	Glass
Materials	Die Cast Aluminum
Finish	Black (Default)
LM70 Life Time	100,000 Hours
UL/cUL	E481056
DesignLights Consortium®	YES
CE	YES
FCC	YES
Warranty	5 Years

Dimensions - 90W



User Guide

Note:

Please read this entire manual to fully understand and safely use this fixture. The products can be used at the voltage of 100-277V AC, 50/60HZ, suitable for indoor and outdoor, moisture proof and dust proof applications. Specifications are subject to change without notice. Please visit www.altechefficiency.com for the most recent product information.

Unpacking:

1. Unpack and carefully examine the product to make sure all of the materials are included.
2. if any part(s) were damaged during shipping, please contact us immediately and save all packing materials
3. DO NOT ATTEMPT TO USE THE FIXTURE IF IT IS DAMAGED IN ANY WAY.

Before You install:

1. Before installing any light fixtures, carefully read and understand all of the installation instructions and product labels as well as all advisories and warnings. Failure to do so can result in injury and/or void the warranty.
2. CONSULT A QUALIFIED ELECTRICIAN TO ENSURE THE PROPER INSTALLATION OF ALL FIXTURES.
3. The product should be installed and operated in accordance with ALL relevant local codes.
4. There is risk of electric shock. Ensure that main power source is off when wiring any fixtures.

Maintenance:

1. Disconnect the product from the power supply prior to cleaning.
2. Use a dry or slightly moistened cloth for cleaning.
3. Never use any chemicals or abrasive materials on fixture or components.

Installation Instructions:

1. Connect the input and ground wires of the fixture to the power supply. **Brown is live. Blue is neutral. Green/Yellow is ground.**
2. Secure the fixture to the mounting box with appropriate hardware.
3. Adjust fixture light direction.
4. This fixture is designed for years with minimum care. For optimum performance, periodically clean the lens with a mild, non abrasive glass cleaner and soft cloth. DO NOT use solvents or cleaners containing abrasive agents. When cleaning the fixture, make sure you have the power turned off and do not spray liquid cleaner directly onto the LED chips, board or wiring

