

HIGH-OUTPUT LED FLOOD LIGHTS AND HIGHBAYS

StaxMAX™ Series

HBMB
bracket



*Each StaxMAX™ flood fixture module can be configured with either narrow, medium or wide optics.



OPTIONAL ADJUSTABLE BRACKET
Options E, F shown



AYMB
bracket



Dimensional Drawings on page 4

PRODUCT DESCRIPTION:

Ideal for car dealerships, sports parks, golf driving ranges, facades, general area and high bay appliance, the StaxMAX™ is a unique and flexible system, comprised of self-contained modular elements, allowing variability in both lumen output and light distributions. The StaxMAX™ can be specified in one-, two- or three- 135 watt modules or in a triple 180 watt module configuration where each module can have one or three available optical distributions. In total, the StaxMAX™ is capable of replacing up to 1500W metal halide fixtures.

FEATURES:

- Modular housing design – up to three modules can be combined
- 22-, 55- and 120-degree open beam for various types of applications
- IP66-rated
- Discreet J-Box on each frame enables easy field install
- Standard 0-10V dimming available on 120-277V models; 347-480V non-dimming models available
- ≥75,000 hour life (L70)
- Multiple circuits on each module guard against full module light outage
- 4Kv driver integral surge protection standard; 20KV surge protection available
- Heaviest configuration conforms to ANSI C136.31 3G vibration rating standards
- 5 year limited warranty
- Suitable for natatorium environment

MOUNTING:

- High Bay (HBMB): suitable for 3/4" NPS mono-stem mount (Dimensions available on page 5)
- Arch Yoke (AYMB): suitable for surface mounting (Dimensions available on pages 4-5)
- Pole Tenon (PTMB): suitable for tenon mounting when combined with HBMB. Accommodates tenons with maximum O.D. of Ø3.2", and minimal length of 5.5"

MODEL SELECTION (Full list of order codes on pg. 3)

Typical order example: ELLF360UC50HA

ELLF							
FAMILY	POWER, EQUIVALENCY	VOLTAGE	DISTRIBUTION	(CCT)	MOUNTING BRACKET	COLOR	OPTIONS
ELLF= High Output Flood	180= 180W, MH 360= 400W, 360W, 1000W MH 540= 540W, 1500W MH	D= 120-277V, 0-10V dimmable 4= 347-480V	N= Narrow M= 22° W= Medium C= 55° Wide 120° Custom	41= 4100K 50= 5000K	(OMIT)= Arch Yoke H= High Bay	(OMIT)= Gray, RAL 7035 (Std) L= Black	(OMIT)= None E= (See table)

ACCESSORIES

ORDER CODE	MODEL NUMBER	DESCRIPTION	ACCESSORIES IMAGE
72881	PTMB	Pole Tenon Mount bracket (To be used with HBMB bracket only)	
96375	PTMBC	3-5/16" Cap For Pole Tenon Mount Bracket	
72882	HBMB	High Bay Mount bracket	

OPTIONS

E	Adjustable Bracket, Photocontrol Receptacle, 20KV Surge Suppressor, 3 ft - 14 AWG whip - 3 conductor (Black/White/Green)
---	--

SPECIFICATIONS:

		ELLF180XXX	ELLF360XXX	ELLF540XXX
ITEM	SPECIFICATION	DETAILS		DETAILS
GENERAL PERFORMANCE	Color Temperature (CCT)	5000K		
	CRI	76		
	Lumens Delivered (lm)	Up to 18,970	Up to 37,940	Up to 56,910
	Efficacy (lm/W)	96 to 105	95 to 105	96 to 105
	L70 lifetime @ 25°C	75,000 Hours		
ELECTRICAL	Power Consumption	180W	360W	540W
	Power Factor	>0.9		
	Input Voltage	120V-277V		
PHYSICAL	Dimensions (H" x W" x L")	7.4" x 21.4" x 21.1"	14.5" x 20.4" x 20.4"	19.6" x 21.1" x 21.1"
	EPA	0.9 sq. ft	1.8 sq. ft	2.7 sq. ft
	Weight	14 lbs	26 lbs	37 lbs
	Housing	Die cast aluminum with powder coat paint		
	Mounting	Module is trunnion mounted to carriage with 270 degree pivoting bolt pattern		
	Max. Ambient Temperature	-22°F to 105°F		
APPLICATION	Certification	cULus, FCC, LM79, LM80		
	Material Usage	RoHS compliant; no mercury		
	Environment	IP66		
	Humidity	5% - 90% RH, non condensing		
	Warranty	5 Year		

ORDERING*:

ORDER CODE	MODEL	OPTIONS	MOUNTING	VOLTAGE	BEAM ANGLE	CCT	POWER (W)	OUTPUT (LM)
72719	ELLF1354M50	None	Arch Yoke	347-480	55	5000K	138	12,130
72619	ELLF1354N50	None	Arch Yoke	347-480	22	5000K	139	12,405
72817	ELLF1354W50	None	Arch Yoke	347-480	120	5000K	0	11,760
74540	ELLF180DM50	None	Arch Yoke	120-277	58	5000K	178	18,000
74538	ELLF180DN50	None	Arch Yoke	120-277	18	5000K	178	17,120
74541	ELLF180DW50	None	Arch Yoke	120-277	111	5000K	181	18,970
75212	ELLF180DW50E	Adjustable Bracket, Photocontrol Receptacle, 20KV Surge Suppressor	Arch Yoke	120-277	111	5000K	181	18,970
74027	ELLF2704M50	None	Arch Yoke	347-480	55	5000K	276	24,260
73417	ELLF2704M50H	None	High Bay/Pole Tennon	347-480	55	5000K	270	24,260
74265	ELLF2704N50	None	Arch Yoke	347-480	22	5000K	278	24,810
72948	ELLF2704W50	None	Arch Yoke	347-480	120	5000K	272	23,520
73051	ELLF2704W50H	None	High Bay/Pole Tennon	347-480	120	5000K	272	23,520
75231	ELLF360DC50	None	Arch Yoke	120-277	CUSTOM	5000K	362	34,240
75227	ELLF360DM50	None	Arch Yoke	120-277	58	5000K	356	36,000
75229	ELLF360DM50H	None	High Bay/Pole Tennon	120-277	58	5000K	356	36,000
75230	ELLF360DM50HE	Adjustable Bracket, Photocontrol Receptacle, 20KV Surge Suppressor	High Bay/Pole Tennon	120-277	58	5000K	356	36,000
75223	ELLF360DN50	None	Arch Yoke	120-277	18	5000K	356	34,240
75219	ELLF360DW50	None	Arch Yoke	120-277	111	5000K	362	37,940
72816	ELLF4054M50	None	Arch Yoke	347-480	55	5000K	414	36,390
72927	ELLF4054N50	None	Arch Yoke	347-480	22	5000K	417	37,220
72489	ELLF4054W50	Adjustable Bracket, Photocontrol Receptacle, 20KV Surge Suppressor	Arch Yoke	347-480	120	5000K	408	35,280
75247	ELLF540DC50	None	Arch Yoke	120-277	CUSTOM	5000K	543	51,360
75243	ELLF540DM50	None	Arch Yoke	120-277	58	5000K	534	54,000
75244	ELLF540DM50E	Adjustable Bracket, Photocontrol Receptacle, 20KV Surge Suppressor	Arch Yoke	120-277	58	5000K	534	54,000
75236	ELLF540DW50E	Adjustable Bracket, Photocontrol Receptacle, 20KV Surge Suppressor	Arch Yoke	120-277	111	5000K	543	56,910
75237	ELLF540DW50H	None	High Bay/Pole Tennon	120-277	111	4100K	543	56,910
75238	ELLF540DW50HE	Adjustable Bracket, Photocontrol Receptacle, 20KV Surge Suppressor	High Bay/Pole Tennon	120-277	111	5700K	543	56,910
95152	ELLF135DW50	None	Arch Yoke	120-277	111	5700K	543	56,910

*Please contact your MaxLite representative to order products that don't have order codes listed here.

CONSTRUCTION:

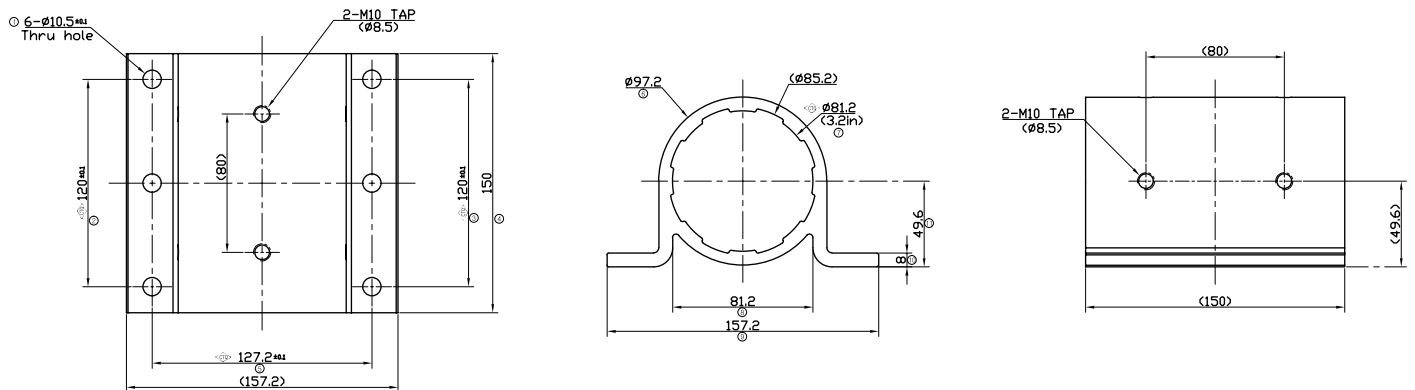
Die cast aluminum body with heat sinking across the full module, enabling a long fixture life

- Stainless steel bushing and adjustment plates
- Tempered glass lens
- Polished and plated optical reflectors
- 6'-18/3 shielded power feed cord included standard
- Yoke mount includes 270 deg. pivot base plate and integrated arm with side protractor for field aiming
- Aluminum Ø3.2" Pole Tenon Slipfitter Mount [Requires a 5.5-6" Tenon]

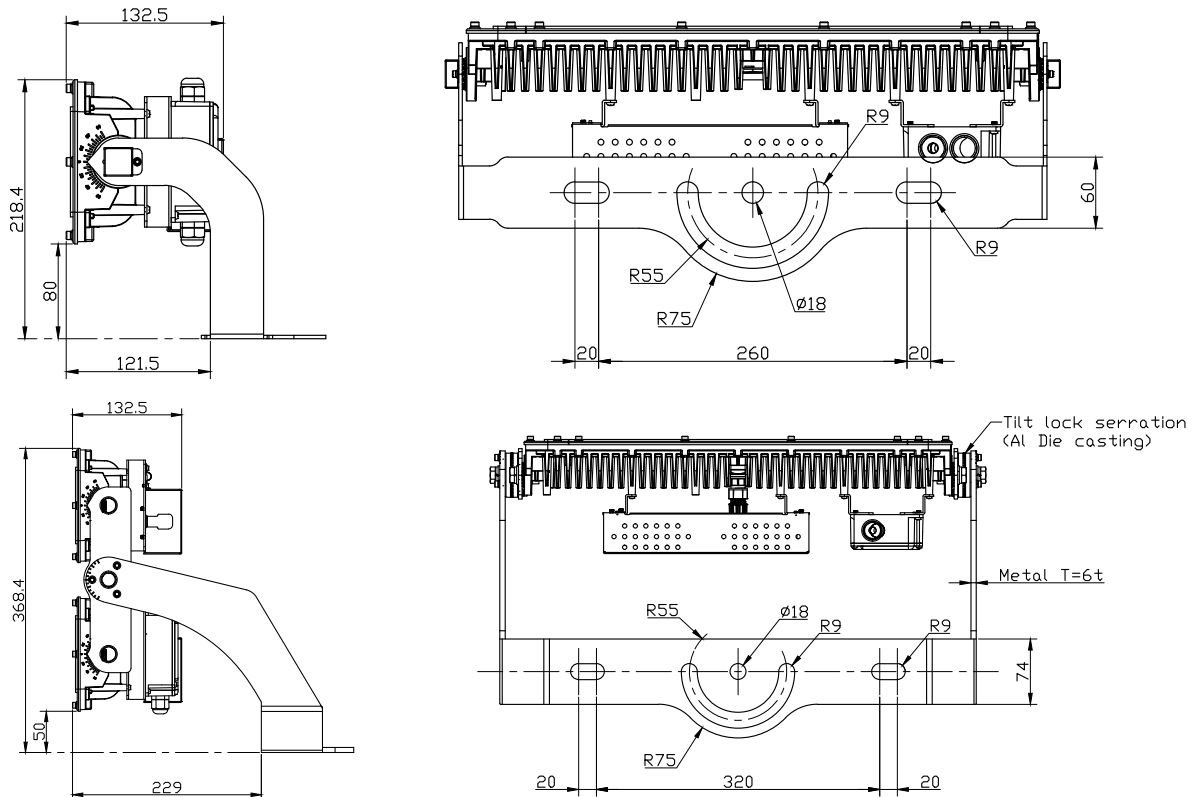
DIMENSIONS

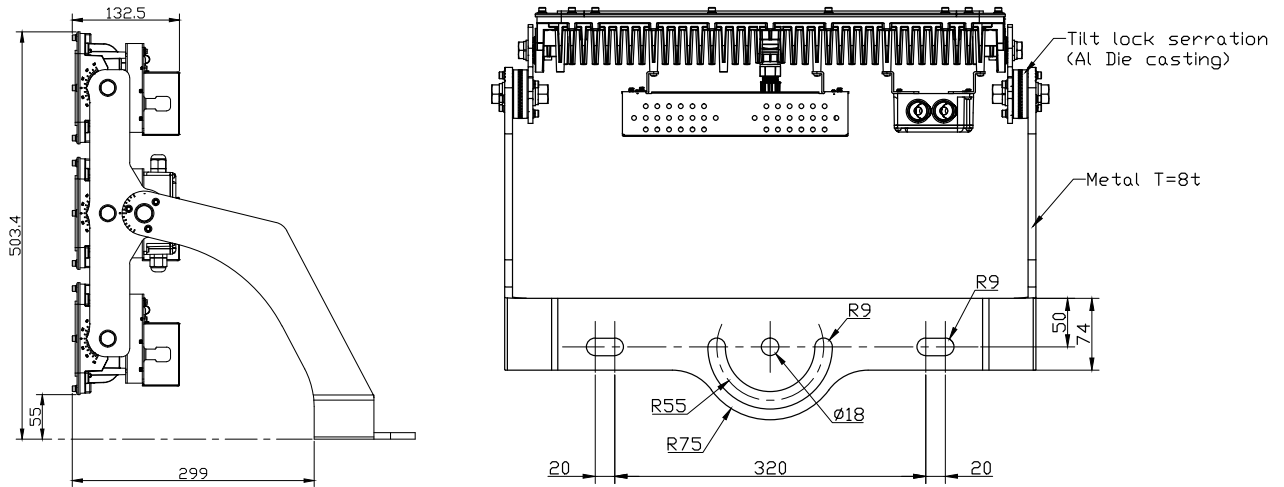
ALL MEASUREMENTS ARE IN MILLIMETER

PTMB DETAILS



AYMB DETAILS





HBMB DETAILS

